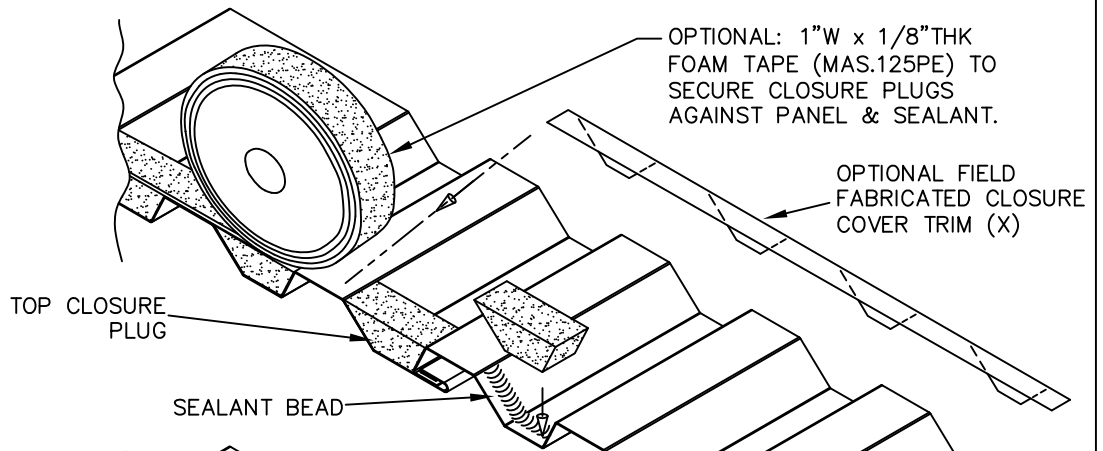
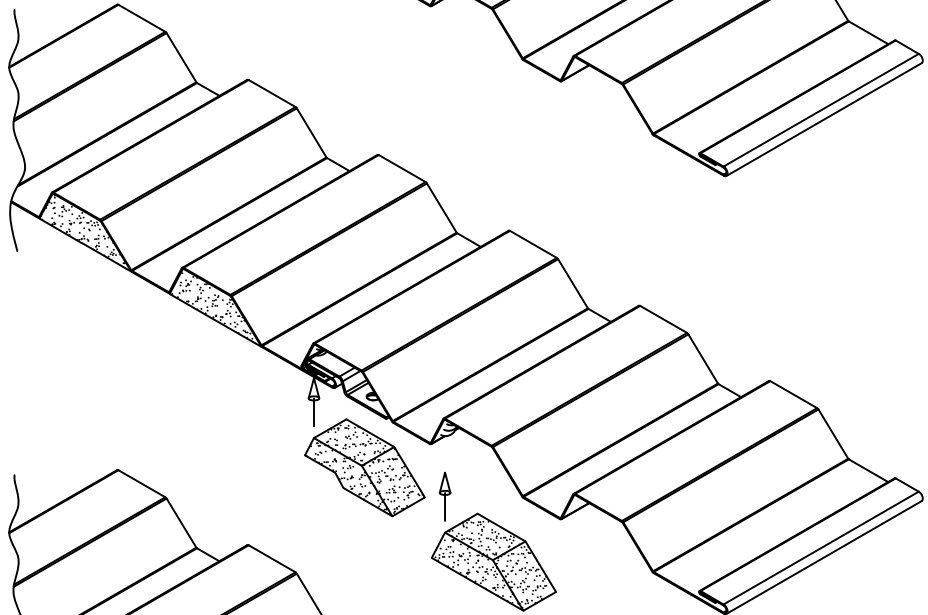


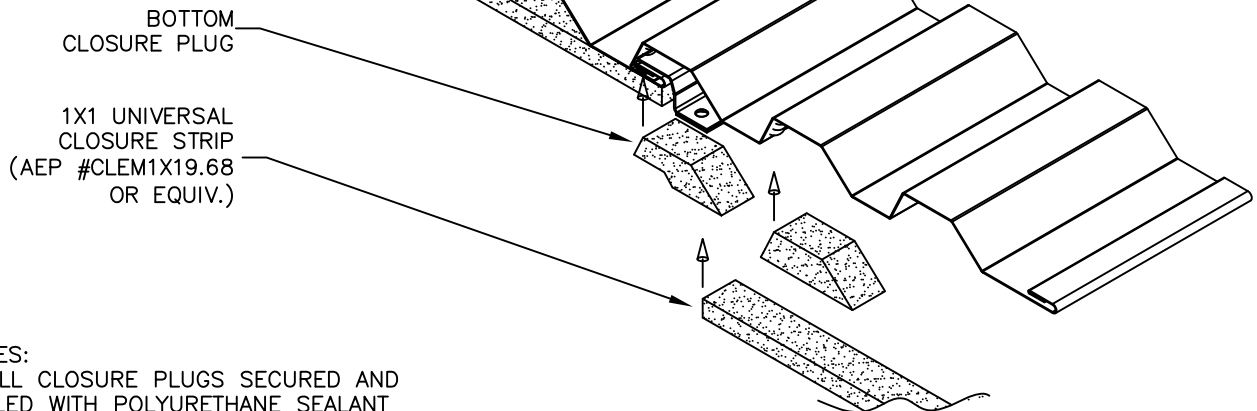
TOP SIDE CLOSURE
INSTALLATION



BOTTOM SIDE CLOSURE
INSTALLATION
(FLUSH MOUNTED PANELS)



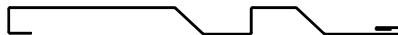
BOTTOM SIDE CLOSURE
INSTALLATION
(PANELS WITH STANDOFF CLIP)



NOTES:
- ALL CLOSURE PLUGS SECURED AND
SEALED WITH POLYURETHANE SEALANT
(X) - NOT BY AEP SPAN



PERCEPTION
COLLECTION
VERTICAL INSTALL.



CLOSURE
INSTALLATION

PCV-04