


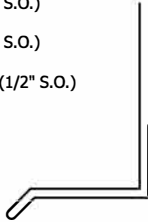
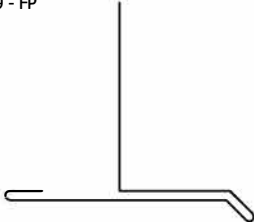
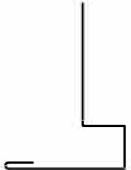



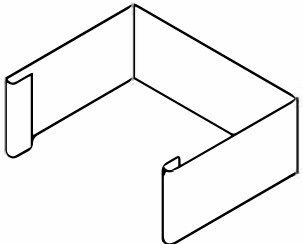
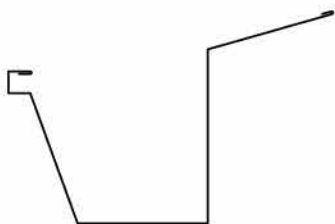
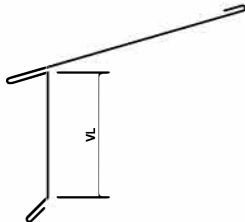
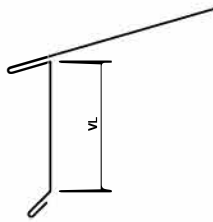
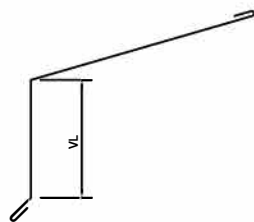
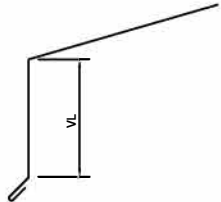
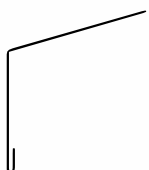

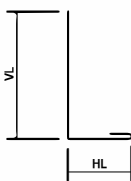
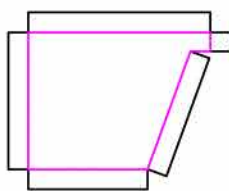




Architectural Trims & Flashings

Drawing Index
for
Architectural Standard Flashings

The drawing index on the following pages provides drawing links to AEP Span's standard Architectural flashings.

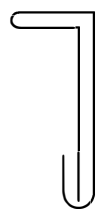
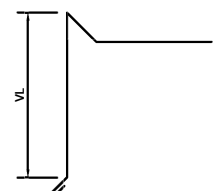
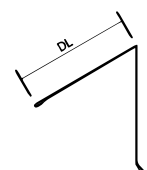
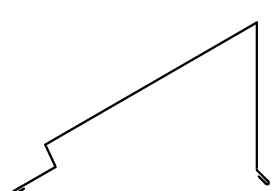
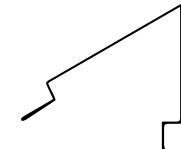
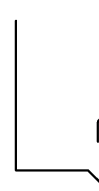
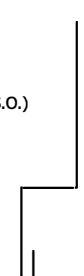
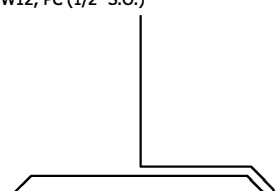



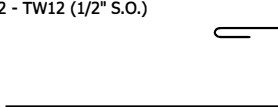
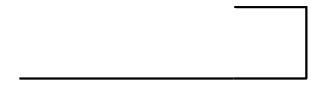
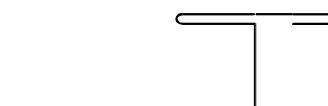
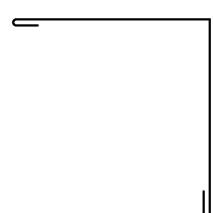
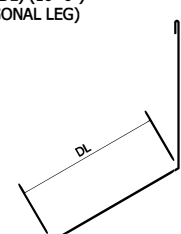
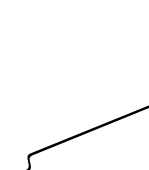
If a non-standard (custom) flashing is desired, please use the flashing request form on page 6 to detail desired flashings and forward to your AEP Span Representative.

ANGLE TRIM	DRIP FLASHING	DRIP FLASHING	DRIP FLASHING
<p>AT001 - SS AT004 - DSHP AT005 - DS HP BAT AT007 - (EXP) SS AT009 - (EXP) DS HP AT010 - (EXP) SL2, SPS2, DS HP BAT AT012 - SL2, SPS2 AT013 - (EXP) SL2, SPS2 (EXP = EXPANSION TRIM)</p> 	<p>DF008 - SS DF009 - PS12 DF010 - SL2, SPS2, DS HP BAT DF022 - 1.2FX DF023 - 1.2FX (1/2" S.O.) DF024 - 1.5FX DF025 - 1.5FX (1/2" S.O.) DF026 - TW-12, PC DF027 - TW-12, PC (1/2" S.O.)</p> 	<p>DF012 - SS DF013 - DS HP DF014 - SL2, SPS2, DS HP BAT DF017 - PS12 DF019 - FP</p> 	<p>DF016 - PS12 DF018 - FP</p> 
DRIP @ SOFFIT	DOWNSPOUT	DOWNSPOUT SPLICE	DOWNSPOUT STRAP
<p>DF028 - 1.2FX DF029 - 1.2FX (1/2" S.O.) DF030 - 1.5FX DF031 - 1.5FX (1/2" S.O.) DF032 - TW12, PC DF033 - TW12, PC (1/2" S.O.)</p> 	<p>DS020 - LARGE DOWNSPOUT (10'-0") DS022 - SMALL DOWNSPOUT (10'-0")</p> 	<p>DS024 - LARGE DOWNSPOUT SPLICE DS025 - SMALL DOWNSPOUT SPLICE (DOWNSPOUT SPLICE 0'-6" LONG)</p> 	<p>DS026 - LARGE DOWNSPOUT STRAP DS027 - SMALL DOWNSPOUT STRAP (DOWNSPOUT STRAP 0'-2" LONG)</p> 
BOX GUTTER	BULLNOSE EAVE TRIM	BULLNOSE EAVE TRIM	EAVE TRIM W/OUT GUTTER
<p>EG029 - LARGE BOX GUTTER (10'-0") EG031 - SMALL BOX GUTTER (10'-0")</p> 	<p>ET033 - EAVE TRIM (3" VL) (10'-0") ET035 - EAVE TRIM (4" VL) (10'-0") (VL = VERTICAL LEG)</p> 	<p>ET037 - EAVE TRIM (3" VL) (10'-0") ET039 - EAVE TRIM (4" VL) (10'-0") (VL = VERTICAL LEG)</p> 	<p>ET041 - EAVE TRIM (3" VL) (10'-0") ET043 - EAVE TRIM (4" VL) (10'-0") (VL = VERTICAL LEG)</p> 
EAVE TRIM W/GUTTER	EAVE TRIM W/GUTTER	EXPANSION TRIM	FASCIA/SOFFIT TRIM
<p>ET045 - EAVE TRIM (3" VL) (10'-0") ET047 - EAVE TRIM (4" VL) (10'-0") (VL = VERTICAL LEG)</p> 	<p>ET049 - EAVE TRIM (10'-0")</p> 	<p>EX053 - SS EX055 - DS HP EX056 - SL2, SPS2, DSHP BAT</p> 	<p>FT053 - (3" VL) (1 1/2" HL) FT054 - (4" VL) (1 1/2" HL) FT055 - (3" VL) (3" HL) FT056 - (4" VL) (3" HL) (HL = HORIZONTAL LEG) (VL = VERTICAL LEG)</p> 
BOX GUTTER END CAP	ROOFOVER GUTTER FLASHING	STANDARD GUTTER STRAP	
<p>GC057 - LARGE GUTTER E.C.(LEFT) GC058 - LARGE GUTTER E.C.(RIGHT) GC059 - SMALL GUTTER E.C.(LEFT) GC060 - SMALL GUTTER E.C.(RIGHT) (E.C. = END CAP)</p> 	<p>GF061 - GUTTER FLASHING (10'-0")</p> 	<p>GS063 - GUTTER STRAP (10'-0")</p> 	

DATE: 08/01/24	FILENAME: @-RTQG
DRAWN BY: BMG	REV. DATE
SHEET:	10 08/01/24 BMG
RTQG-1	



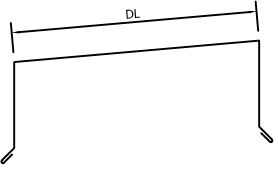
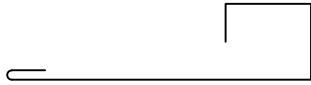
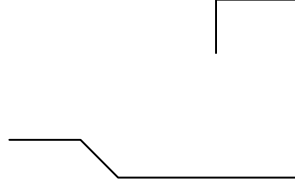
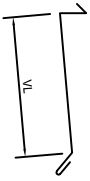
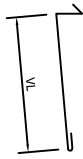


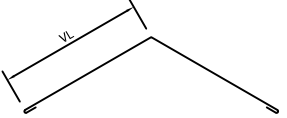
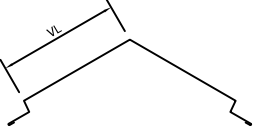
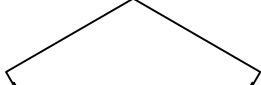
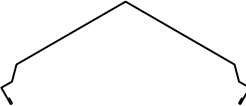

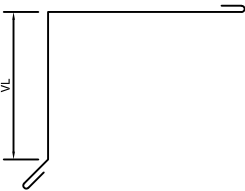
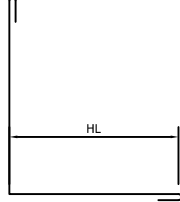

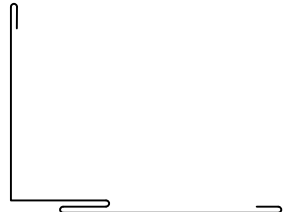

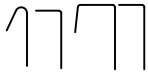
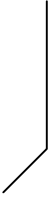
THIS DRAWING IS THE PROPERTY OF ASC PROFILES. THE USE OF THIS DRAWING WITHOUT THE WRITTEN CONSENT OF ASC PROFILES IS PROHIBITED.

SPAN-LOK GUTTER STRAP	GRAVEL STOP	NON-VENTED HIGH EAVE TRIM	VENTED HIGH EAVE TRIM
GS064 - SL2, SL3 (10'-0") 	GT065 - (5" VL) (10'-0") GT067 - (6" VL) (10'-0") (VL = VERTICAL LEG) 	HE069 - (6" DL) (10'-0") HE071 - (7" DL) (10'-0") HE073 - (8" DL) (10'-0") (DL = DIAGONAL LEG) 	HE075 - (10'-0") 1/4:12 TO 6:12 HE077 - (10'-0") 6 1/4:12 TO 12:12 
NON-VENTED HIGH EAVE TRIM	HEADER TRIM	HEADER TRIM	DOOR / WINDOW HEADER
HE079 - GF (10'-0") 1/4:12 TO 6:12 HE081 - GF (10'-0") 6 1/4:12 TO 12:12 	HT085 - DS HP (10'-0") HT087 - SL2, SPS2 (10'-0") HT089 - SL3, SPS3 (10'-0") 	HT090 - PS12 HT092 - FP, TW12, PC HT096 - 1.2FX HT097 - 1.2FX (1/2" S.O.) HT098 - 1.5FX HT099 - 1.5FX (1/2" S.O.) HT103 - TW12, PC (1/2" S.O.) 	HT091 - PS12, 1.5FX HT093 - FP, TW12, PC HT095 - 1.2FX HT100 - 1.2FX (1/2" S.O.) HT101 - 1.5FX (1/2" S.O.) HT102 - TW12, PC (1/2" S.O.) 
	INSIDE CORNER TRIM	JOGGLE CLEAT	"J" STARTER
	IC093 - PS12, FP, FX, TW12, PC (10'-0") 	JC095 JC096 - WALL ST. CLEAT 	JS096 
"J" TRIM	"J" TRIM	MITER TRIM	
JT097 - NW JT098 - SS JT099 - DS HP JT100 - SL2, SPS2, DS HP BAT JT107 - PS12, 1.5FX JT108 - FP, TW12, PC JT109 - 1.2FX JT110 - 1.2FX (1/2" S.O.) JT111 - 1.5FX (1/2" S.O.) JT112 - TW12 (1/2" S.O.) 	JT102 - NW JT103 - SS JT104 - DS HP JT105 - SL2, SPS2, DS HP BAT, 	MT107 - NW MT108 - SUPER SPAN MT109 - PS12, 1.5FX MT110 - FP, TW12, PC MT111 - 1.2FX MT112 - 1.2FX (1/2" S.O.) MT113 - 1.5FX (1/2" S.O.) MT114 - TW12, PC (1/2" S.O.) 	
OUTSIDE CORNER	NON-VENTED PITCH BREAK	PITCH BREAK	
OC111 - PS12, FP, FX, TW12, PC (10'-0") 	PB113 - (6"DL) (10'-0") PB115 - (7"DL) (10'-0") PB117 - (8"DL) (10'-0") (DL = DIAGONAL LEG) 	PB119 - (10'-0") 1/4:12 TO 6:12 (V) PB121 - (10'-0") 6 1/4:12 TO 12:12 (V) PB123 - (10'-0") 1/4:12 TO 6:12 (NV) PB125 - (10'-0") 6 1/4:12 TO 12:12 (NV) (V = VENTED) (NV = NON-VENTED) 	

DATE: 08/01/24	FILENAME: @-RTQG
DRAWN BY: BMG	REV. DATE
SHEET:	10 08/01/24 BMG
RTQG-2	



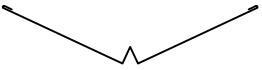
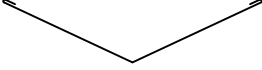
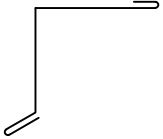
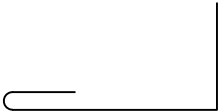

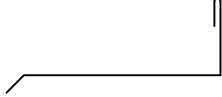
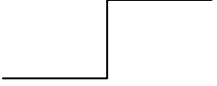
THIS DRAWING IS THE PROPERTY OF ASC PROFILES. THE USE OF THIS DRAWING WITHOUT THE WRITTEN CONSENT OF ASC PROFILES IS PROHIBITED.

(PARAPET) COPING CAP	PANEL RECEIVER	OFFSET PANEL RECEIVER	SAW CUT REGLET
PC129 - (10" DL) (10'-0") PC131 - (12" DL) (10'-0") PC133 - (14" DL) (10'-0") (DL = DIAGONAL LEG) 	PR135 - SS PR138 - DS HP PR139 - DS HP BAT PR145 - SL2, SPS2 	PR143 - SL3, SPS3 W/ 3 1/2" CLIP PR144 - SL3, SPS3 W/ 4" CLIP PR146 - SL2, SPS2 W/ 2 1/2" PR147 - SL2, SPS2 W/ 3" 	RG145 - (4" VL) (10'-0") RG147 - (5" VL) (10'-0") RG149 - (6" VL) (10'-0") (VL = VERTICAL LEG) 
SAW CUT REGLET	SURFACE MOUNTED REGLET	MASONRY BASE REGLET	RIDGE/HIP CAP NON-VENTED
RG151 - (4" VL) (10'-0") RG153 - (5" VL) (10'-0") RG155 - (6" VL) (10'-0") (VL = VERTICAL LEG) 	RG157 - (10'-0") 	RG160 - (10'-0") 	RH162 - (6" DL) (10'-0") RH164 - (7" DL) (10'-0") RH166 - (8" DL) (10'-0") (DL = DIAGONAL LEG) 
RIDGE/HIP CAP VENTED	RIDGE/HIP CAP VENTED FIXED	RIDGE/HIP CAP VENTED FLOATING	STD RAKE TRIM
RH168 - (10"DL)(10'-0") 1/4:12 TO 6:12 RH170 - (12"DL)(10'-0") 6 1/4:12 TO 12:12 (DL = DIAGONAL LEG) 	RH172 - USED W/PREVENT (10'-0") 	RH174 - USED W/PREVENT (10'-0") 	RT175 - (4"VL) (10'-0") RT177 - (5"VL) (10'-0") RT179 - (4 1/4"VL) (10'-0") RT181 - (5 1/4"VL) (10'-0") RT183 - (4 1/2"VL) (10'-0") RT185 - (5 1/2"VL) (10'-0") RT187 - (4 3/4"VL) (10'-0") RT189 - (5 3/4"VL) (10'-0") RT191 - (5"VL) (10'-0") RT193 - (6"VL) (10'-0") RT195 - (7"VL) (10'-0") 
ALTERNATE RAKE TRIM	STD RAKEWALL TRIM	EXPANSION RAKEWALL TRIM	ALTERNATE RAKEWALL TRIM
RT197 - (3"VL) (10'-0") RT199 - (4"VL) (10'-0") (VL = VERTICAL LEG) 	RW201 - (3 1/2"HL) (10'-0") RW203 - (6"HL) (10'-0") (HL = HORIZONTAL LEG) 	RW205 - (10'-0") 	RW207 - (10'-0") 
RAKEWALL TRIM	SL2, SN, SPS2 SEAM-COVERS	TRIM CLEAT	
RW209 - SS RW212 - DS HP RW213 - DS HP BAT RW215 - SL2, SPS2 	SL2RC_2 - SL2 INSIDE/OUT SPS2RC_2 - SPS2 INSIDE/OUT 	TC209 - (10'-0") 	

DATE: 08/01/24	FILENAME: @-RTQG
DRAWN BY: BMG	REV. DATE
SHEET: 10	08/01/24 BMG
RTQG-3	



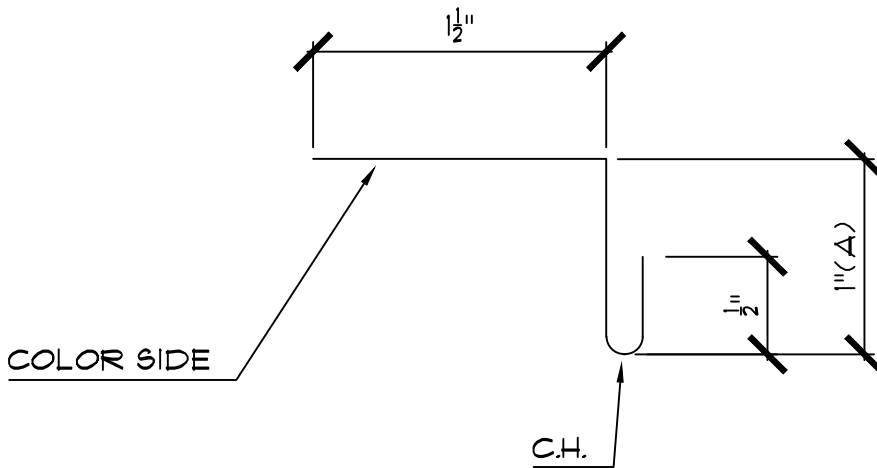
THIS DRAWING IS THE PROPERTY OF ASC PROFILES. THE USE OF THIS DRAWING WITHOUT THE WRITTEN CONSENT OF ASC PROFILES IS PROHIBITED.

STANDARD VALLEY FLASHING		VALLEY FLASHING FOR CURVED APPLICATIONS	EAVE VENT TRIM
VF210 - (10'-0") 		VF212 - (10'-0") 	VT214 - (10'-0") 
WALL CLOSURE	WALL CLOSURE	WALL CLOSURE	ZEE CLOSURE
WC215 - FP (10'-0") 	WC216 - PS12 (10'-0") 	WC217 - PS12, FP (10'-0") WC218 - SSMW (10'-0") 	ZC216 - SS ZC219 - DS HP ZC220 - DSHP BAT. ,1.2FX (1/2" S.O.) ZC223 - SL2 ZC224 - PS12, 1.5FX ZC225 - FP, TW12, PC ZC226 - 1.2FX ZC227 - 1.5FX (1/2" S.O.) ZC228 - TW12 (1/2" S.O.) ZC229 - SSMW 

DATE: 08/01/24	FILENAME: @-RTQG	
DRAWN BY: BMG	REV.	DATE
SHEET:	10	08/01/24 BMG
RTQG-4		



THIS DRAWING IS THE PROPERTY OF ASC PROFILES. THE USE OF THIS DRAWING WITHOUT THE WRITTEN CONSENT OF ASC PROFILES IS PROHIBITED.



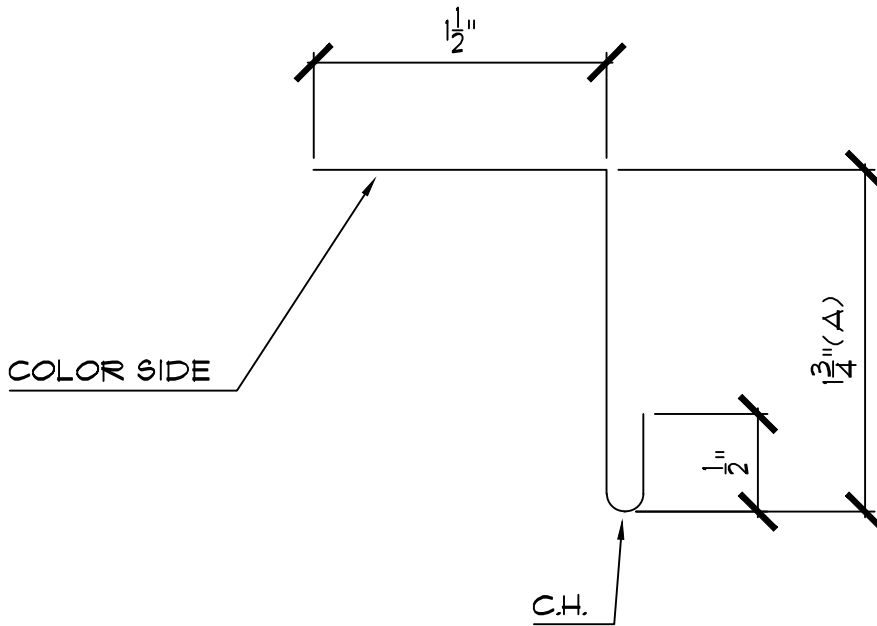
GAUGE: _____ STRETCH-OUT: 3"
 COLOR: _____ # OF BREAKS: 3
 LENGTH: 10'-0" QUANTITY: _____

PART #: AT001
 PART NAME: _____
ANGLE TRIM

CUSTOMER: _____
 JOB NAME: _____
 AEPS ORDER #: _____

DRAWN BY: _____
 DATE: _____
 ACCEPTED BY: _____
 DATE: _____

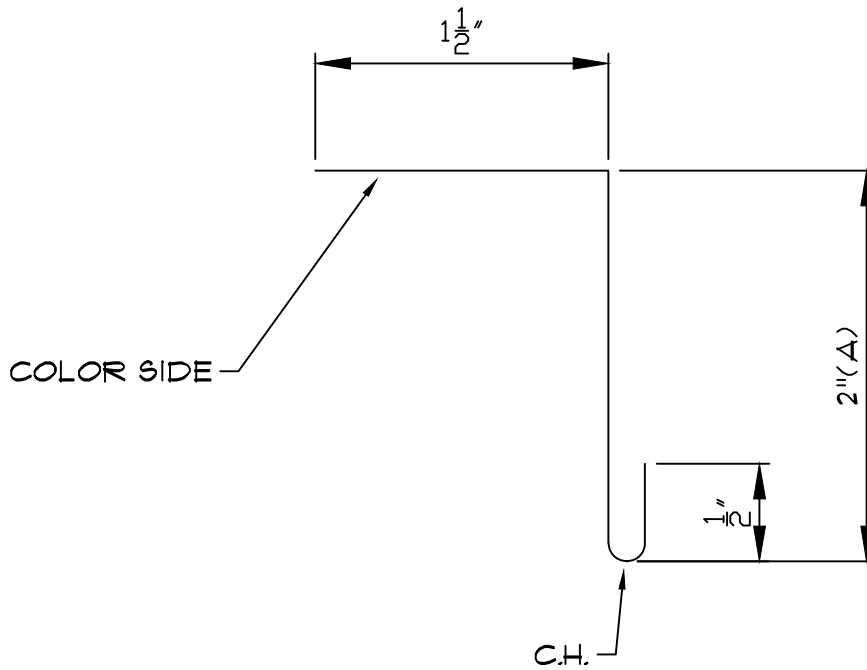




GAUGE: _____	STRETCH-OUT: <u>3 3/4"</u>	PART #: <u>AT004</u>
COLOR: _____	# OF BREAKS: <u>3</u>	PART NAME:
LENGTH: <u>10'-0"</u>	QUANTITY: _____	<u>ANGLE TRIM</u>

CUSTOMER: _____ JOB NAME: _____ AEPS ORDER #: _____	DRAWN BY: _____ DATE: _____
	ACCEPTED BY: _____ DATE: _____

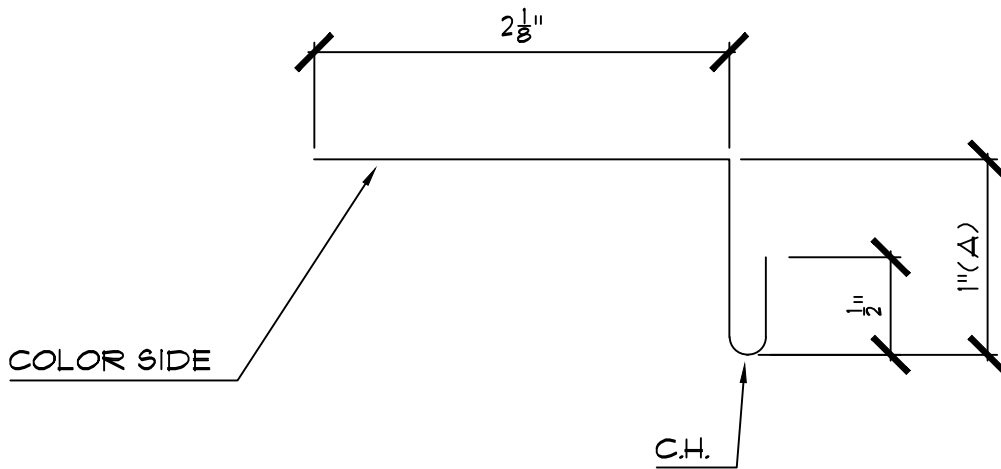




GAUGE: _____	STRETCH-OUT: <u>4"</u>	PART #: <u>AT005</u>
COLOR: _____	# OF BREAKS: <u>3</u>	PART NAME: _____
LENGTH: <u>10'-0"</u>	QUANTITY: _____	ANGLE TRIM _____

CUSTOMER: _____ JOB NAME: _____ AEPS ORDER #: _____	DRAWN BY: _____ DATE: _____
	ACCEPTED BY: _____ DATE: _____

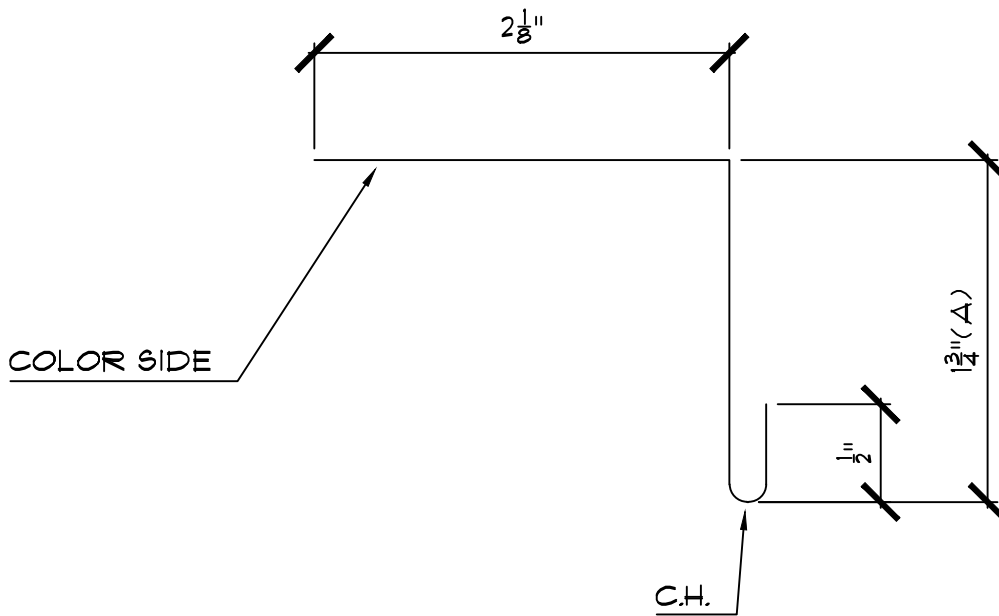




GAUGE: _____	STRETCH-OUT: <u>3 5/8"</u>	PART #: <u>AT001</u>
COLOR: _____	# OF BREAKS: <u>3</u>	PART NAME:
LENGTH: <u>10'-0"</u>	QUANTITY: _____	<u>EXPANSION ANGLE TRIM</u>

CUSTOMER: _____ JOB NAME: _____ AEPS ORDER #: _____	DRAWN BY: _____ DATE: _____
	ACCEPTED BY: _____ DATE: _____

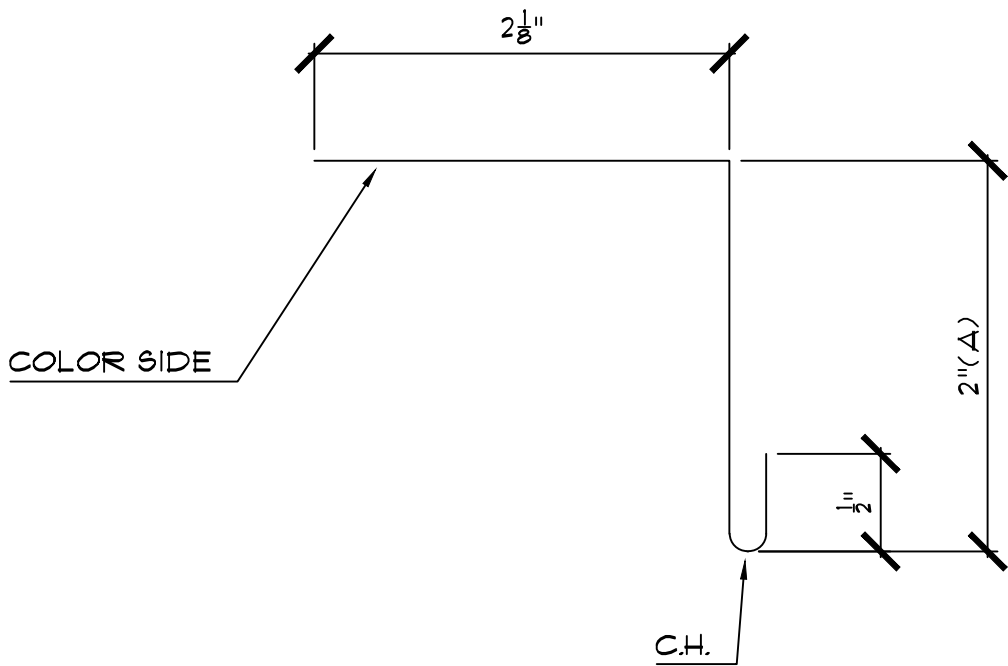




GAUGE: _____	STRETCH-OUT: <u>4 3/8"</u>	PART #: <u>AT009</u>
COLOR: _____	# OF BREAKS: <u>3</u>	PART NAME:
LENGTH: <u>10'-0"</u>	QUANTITY: _____	<u>EXPANSION ANGLE TRIM</u>

CUSTOMER: _____ JOB NAME: _____ AEPS ORDER #: _____	DRAWN BY: _____ DATE: _____
	ACCEPTED BY: _____ DATE: _____





GAUGE: _____	STRETCH-OUT: <u>4 5/8"</u>
COLOR: _____	# OF BREAKS: <u>3</u>
LENGTH: <u>10'-0"</u>	QUANTITY: _____

PART #: AT010

PART NAME:
EXPANSION ANGLE TRIM

CUSTOMER: _____

JOB NAME: _____

AEPS ORDER #: _____

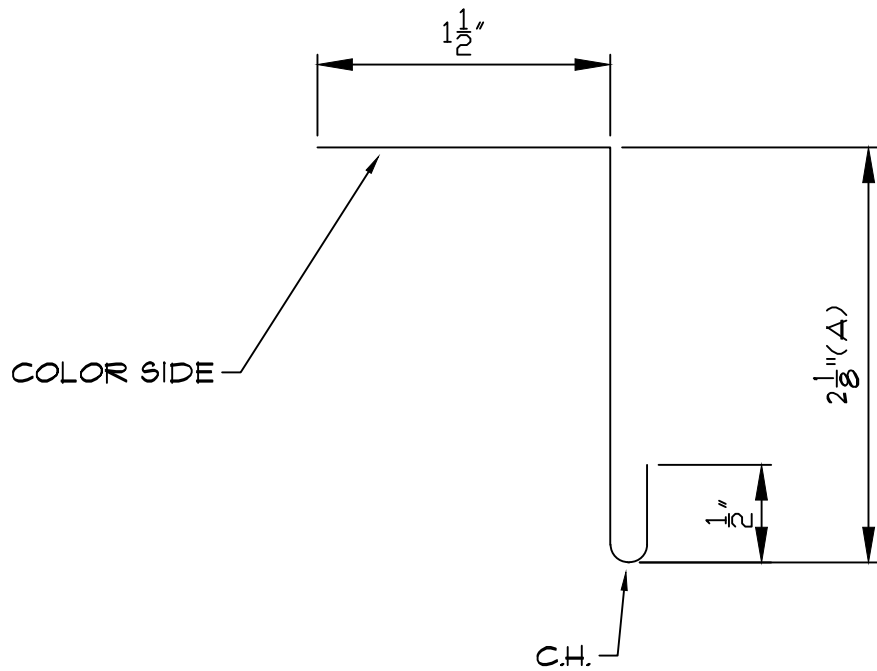
DRAWN BY: _____

DATE: _____

ACCEPTED BY: _____

DATE: _____

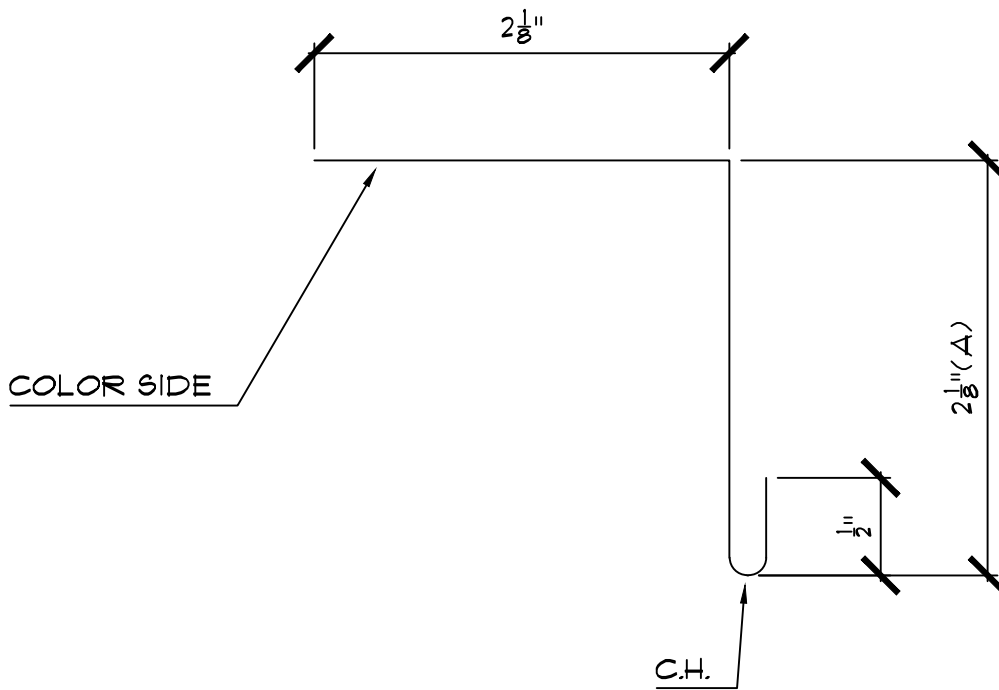




GAUGE: _____	STRETCH-OUT: <u>4 1/8"</u>	PART #: <u>AT012</u>	
COLOR: _____	# OF BREAKS: <u>3</u>		PART NAME:
LENGTH: <u>10'-0"</u>	QUANTITY: _____		<u>ANGLE TRIM</u>

CUSTOMER: _____ JOB NAME: _____ AEPS ORDER #: _____	DRAWN BY: _____ DATE: _____
	ACCEPTED BY: _____ DATE: _____

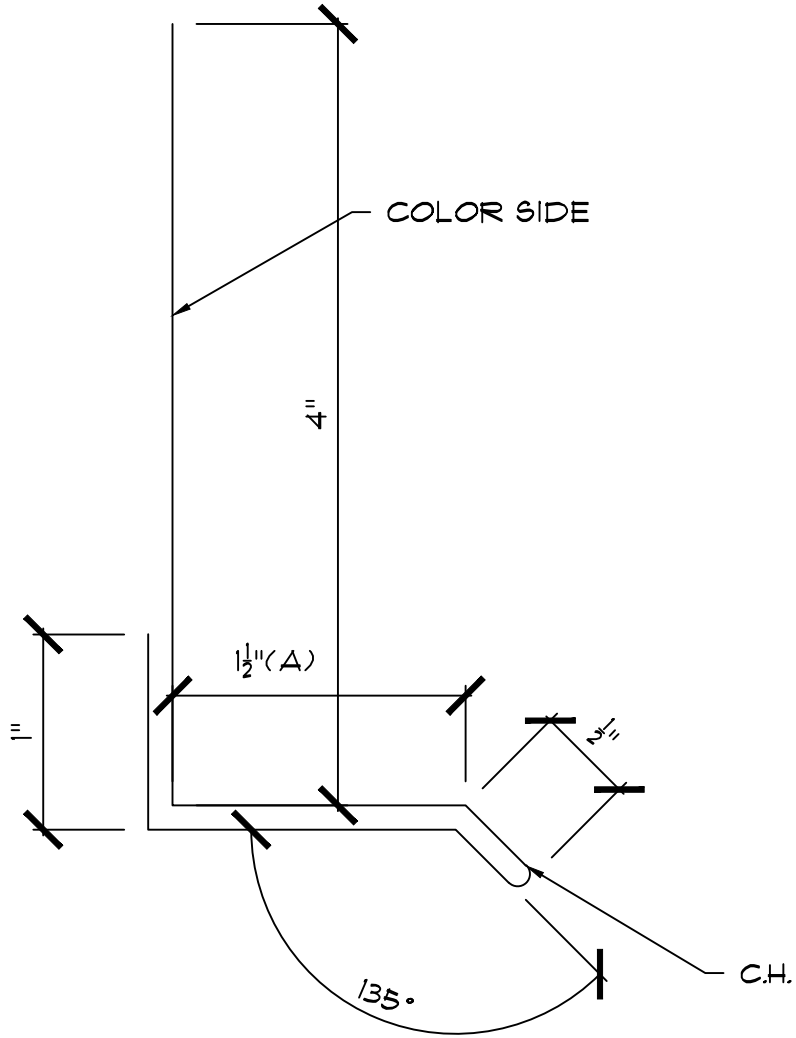




GAUGE: _____	STRETCH-OUT: <u>4 3/4"</u>	PART #: <u>AT013</u>
COLOR: _____	# OF BREAKS: <u>3</u>	PART NAME:
LENGTH: <u>10'-0"</u>	QUANTITY: _____	<u>EXPANSION ANGLE TRIM</u>

CUSTOMER: _____ JOB NAME: _____ AEPS ORDER #: _____	DRAWN BY: _____ DATE: _____
	ACCEPTED BY: _____ DATE: _____

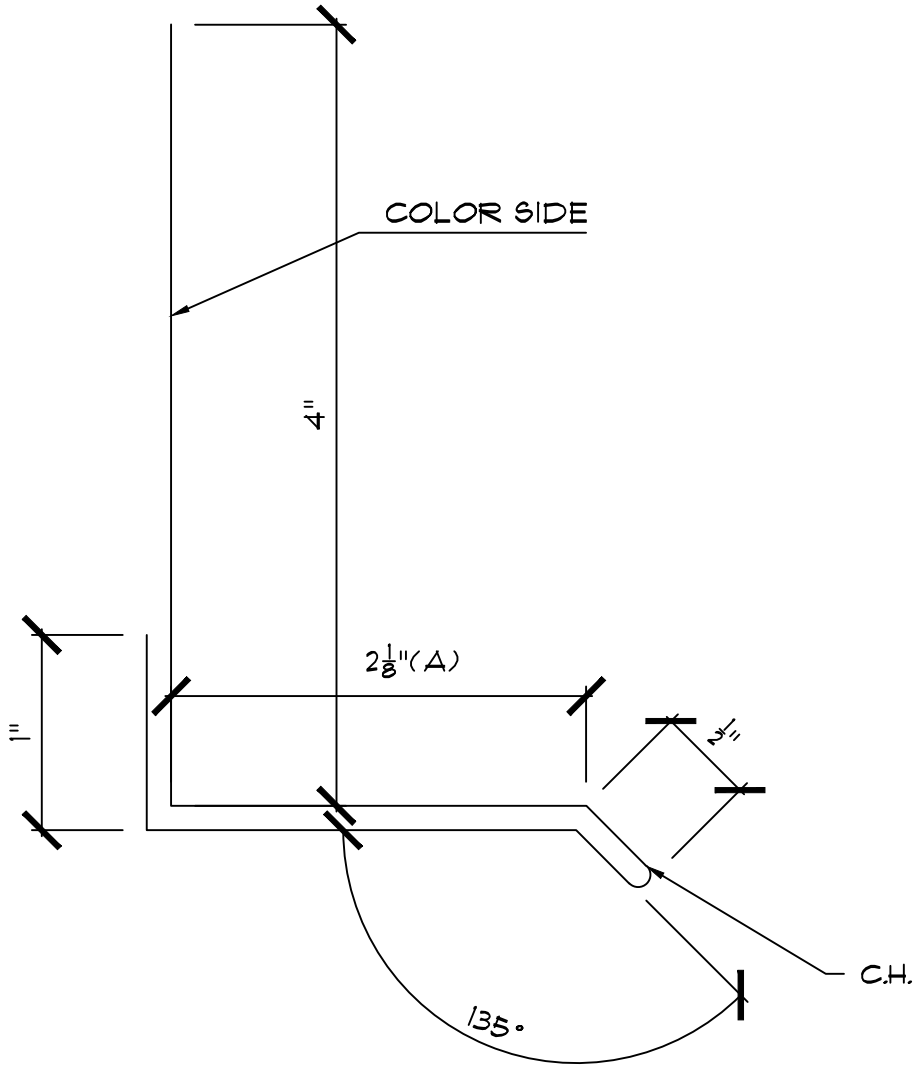




GAUGE: _____	STRETCH-OUT: <u>9"</u>	PART #: <u>DF008</u>
COLOR: _____	# OF BREAKS: <u>6</u>	PART NAME: _____
LENGTH: <u>10'-0"</u>	QUANTITY: _____	<u>DRIP FLASHING</u>

CUSTOMER: _____ JOB NAME: _____ AEPS ORDER #: _____	DRAWN BY: _____ DATE: _____
	ACCEPTED BY: _____ DATE: _____

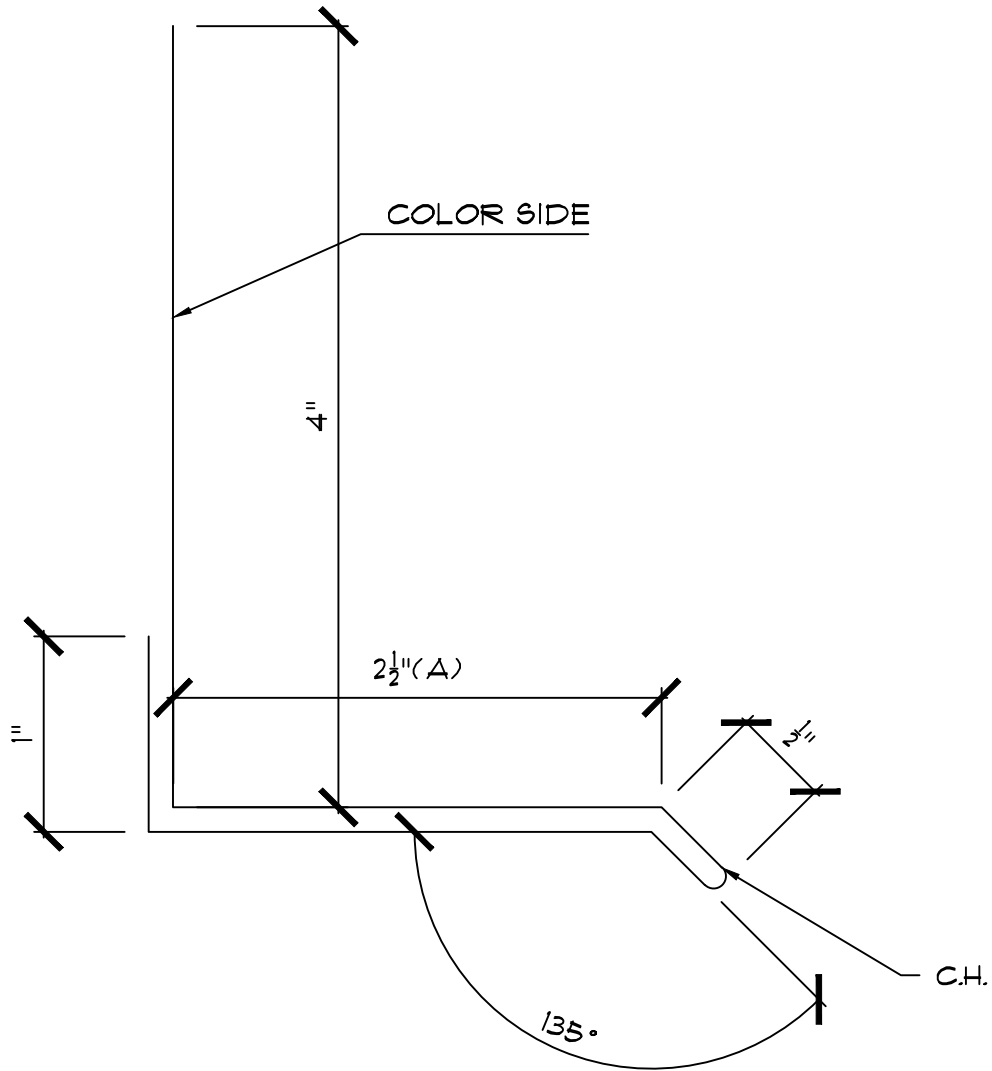




GAUGE: _____	STRETCH-OUT: <u>10 1/4"</u>	PART #: <u>DF009</u>
COLOR: _____	# OF BREAKS: <u>6</u>	PART NAME: _____
LENGTH: <u>10'-0"</u>	QUANTITY: _____	<u>DRIP FLASHING</u>

CUSTOMER: _____	DRAWN BY: _____
JOB NAME: _____	DATE: _____
AEPS ORDER #: _____	ACCEPTED BY: _____
	DATE: _____

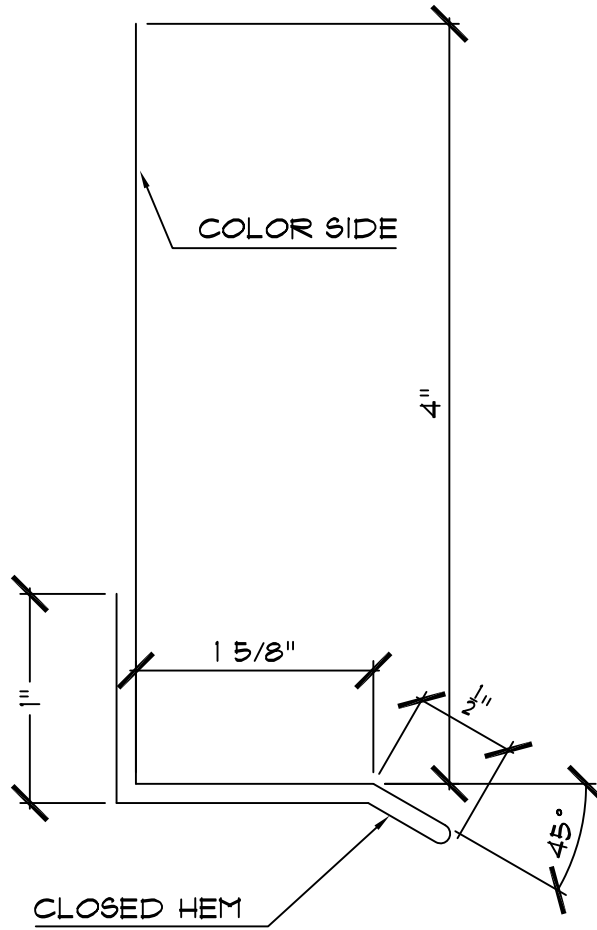




GAUGE: _____	STRETCH-OUT: <u>11"</u>	PART #: <u>DF010</u>
COLOR: _____	# OF BREAKS: <u>6</u>	PART NAME: _____
LENGTH: <u>10'-0"</u>	QUANTITY: _____	<u>DRIP FLASHING</u>

CUSTOMER: _____ JOB NAME: _____ AEPS ORDER #: _____	DRAWN BY: _____ DATE: _____
	ACCEPTED BY: _____ DATE: _____





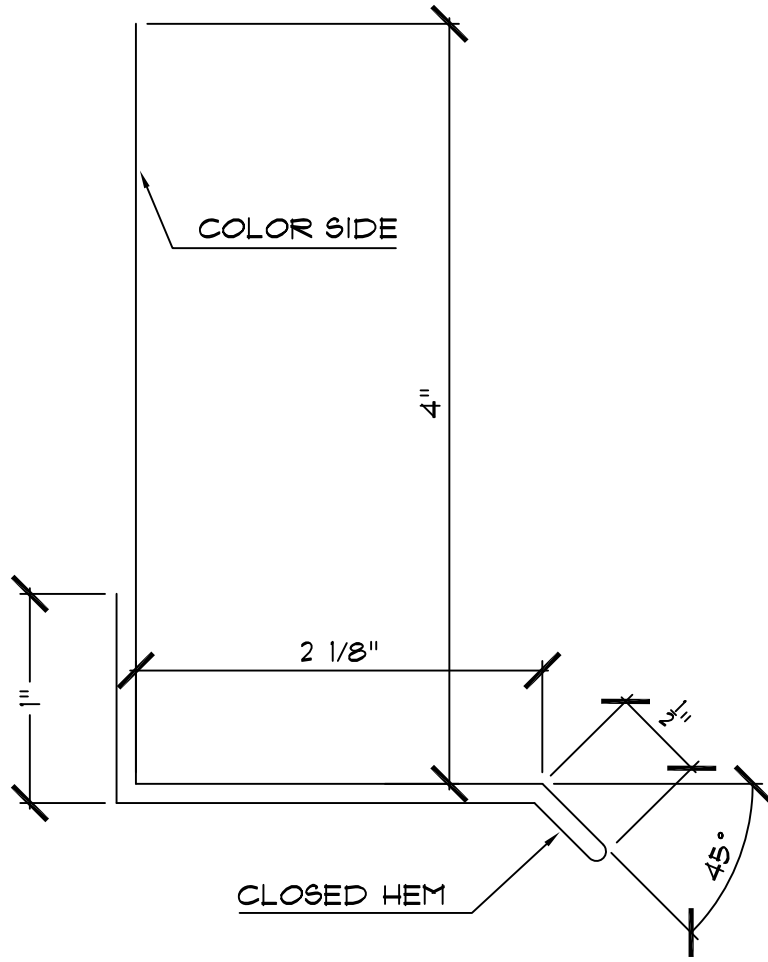
GAUGE: _____ STRETCH-OUT: 9 1/4"
 COLOR: _____ # OF BREAKS: 6
 LENGTH: 10'-0" QUANTITY: _____

PART #: DF022
 PART NAME: DRIP

CUSTOMER: _____
 JOB NAME: _____
 AEPS ORDER #: _____

DRAWN BY: BMG
 DATE: 08/01/16
 ACCEPTED BY: _____
 DATE: _____





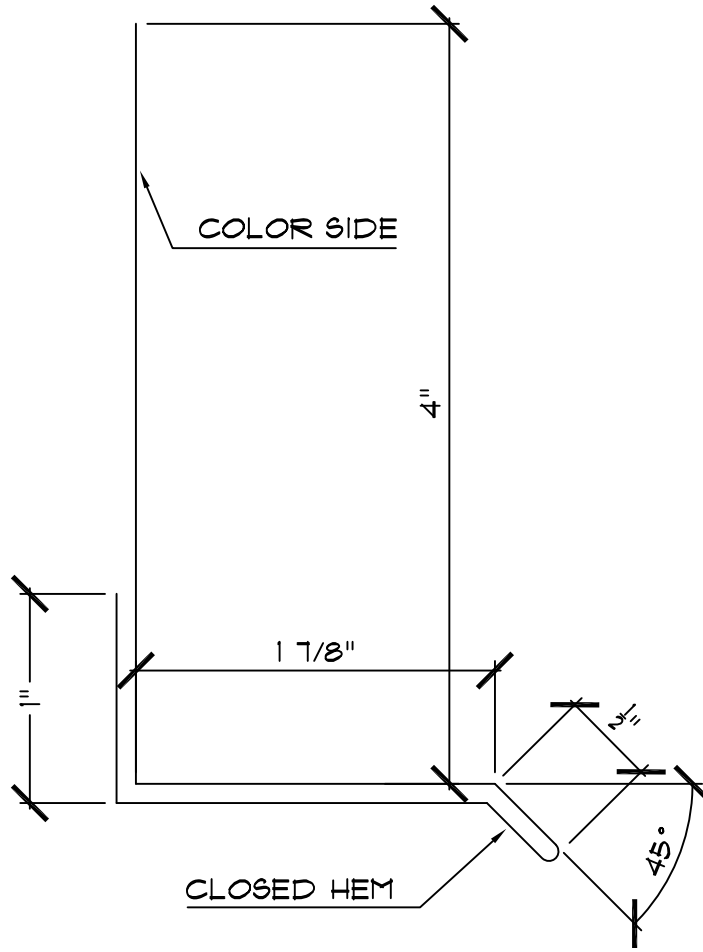
GAUGE: _____ STRETCH-OUT: 10 1/4"
 COLOR: _____ # OF BREAKS: 6
 LENGTH: 10'-0" QUANTITY: _____

PART #: DF023
 PART NAME: _____
DRIP

CUSTOMER: _____
 JOB NAME: _____
 AEPS ORDER #: _____

DRAWN BY: BMG
 DATE: 08/01/16
 ACCEPTED BY: _____
 DATE: _____





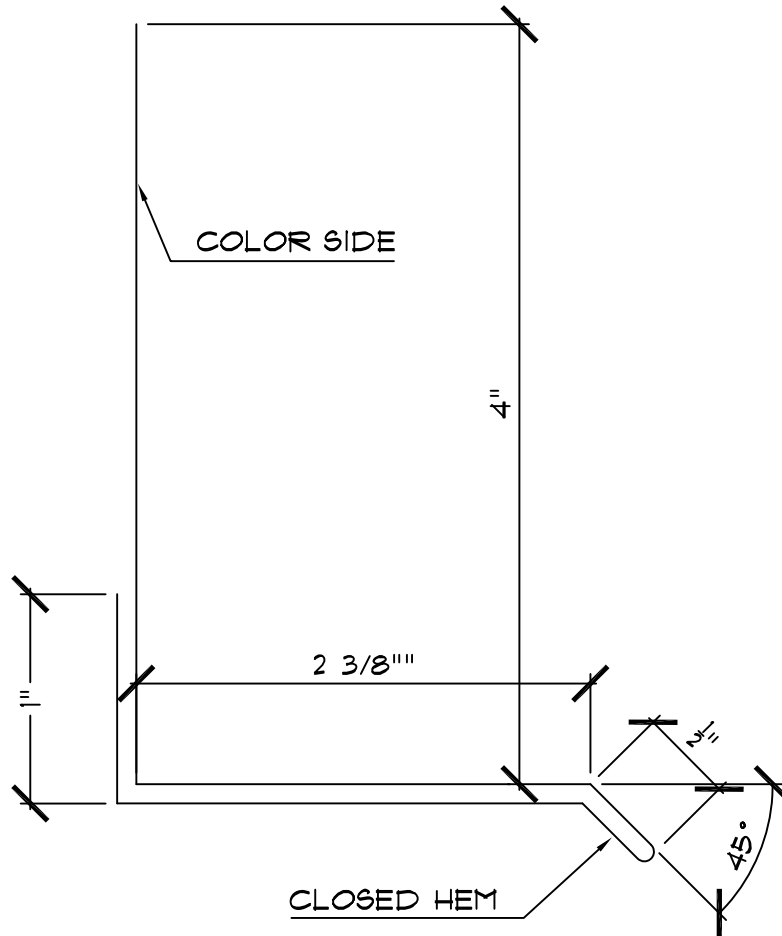
GAUGE: _____ STRETCH-OUT: 9 3/4"
 COLOR: _____ # OF BREAKS: 6
 LENGTH: 10'-0" QUANTITY: _____

PART #: DF024
 PART NAME: _____
DRIP

CUSTOMER: _____
 JOB NAME: _____
 AEPS ORDER #: _____

DRAWN BY: BMG
 DATE: 08/01/16
 ACCEPTED BY: _____
 DATE: _____





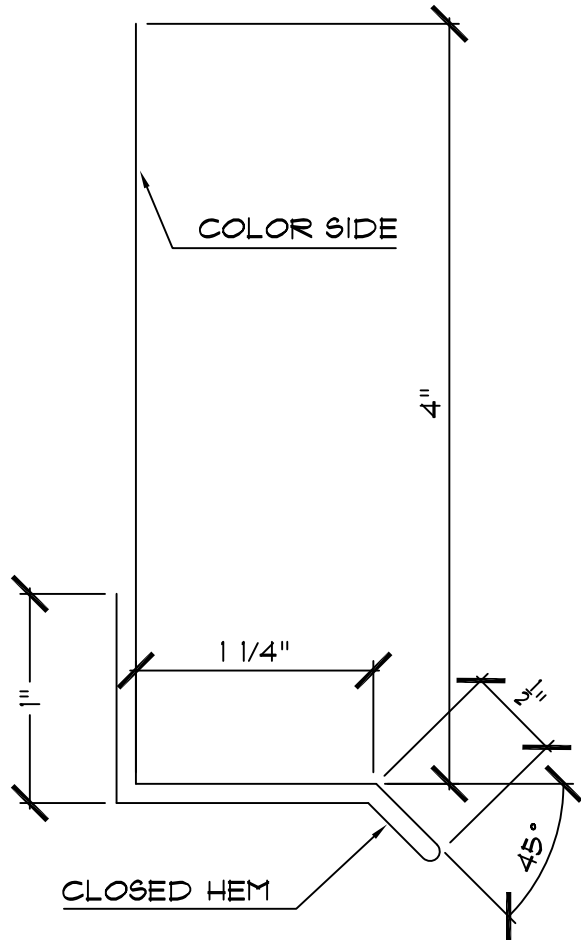
GAUGE: _____ STRETCH-OUT: 10 3/4"
 COLOR: _____ # OF BREAKS: 6
 LENGTH: 10'-0" QUANTITY: _____

PART #: DF025
 PART NAME: _____
DRIP

CUSTOMER: _____
 JOB NAME: _____
 AEPS ORDER #: _____

DRAWN BY: BMG
 DATE: 08/01/16
 ACCEPTED BY: _____
 DATE: _____





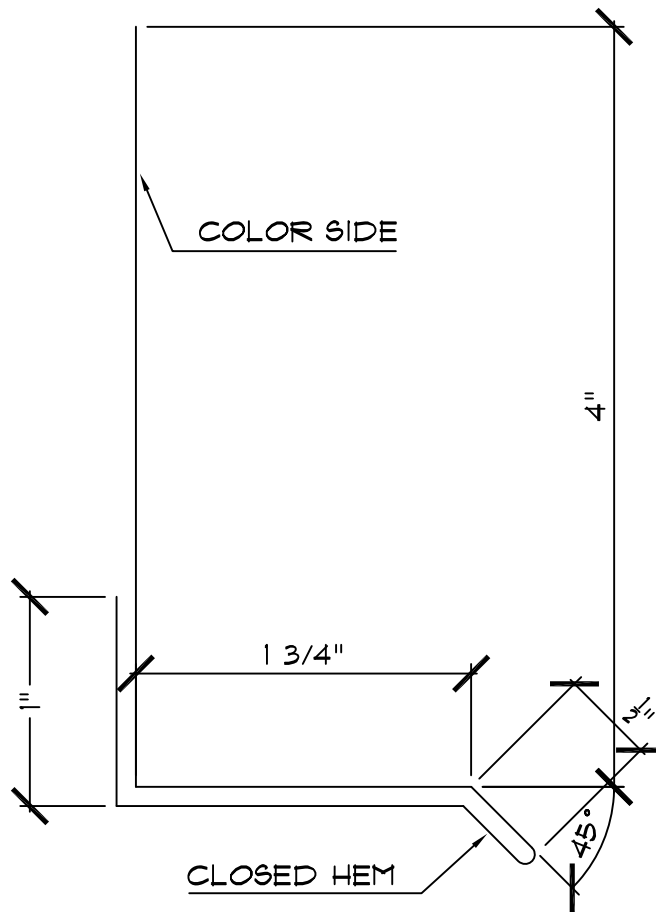
GAUGE: _____ STRETCH-OUT: 8 1/2"
 COLOR: _____ # OF BREAKS: 6
 LENGTH: 10'-0" QUANTITY: _____

PART #: DF026
 PART NAME: _____
DRIP

CUSTOMER: _____
 JOB NAME: _____
 AEPS ORDER #: _____

DRAWN BY: BMG
 DATE: 08/01/16
 ACCEPTED BY: _____
 DATE: _____





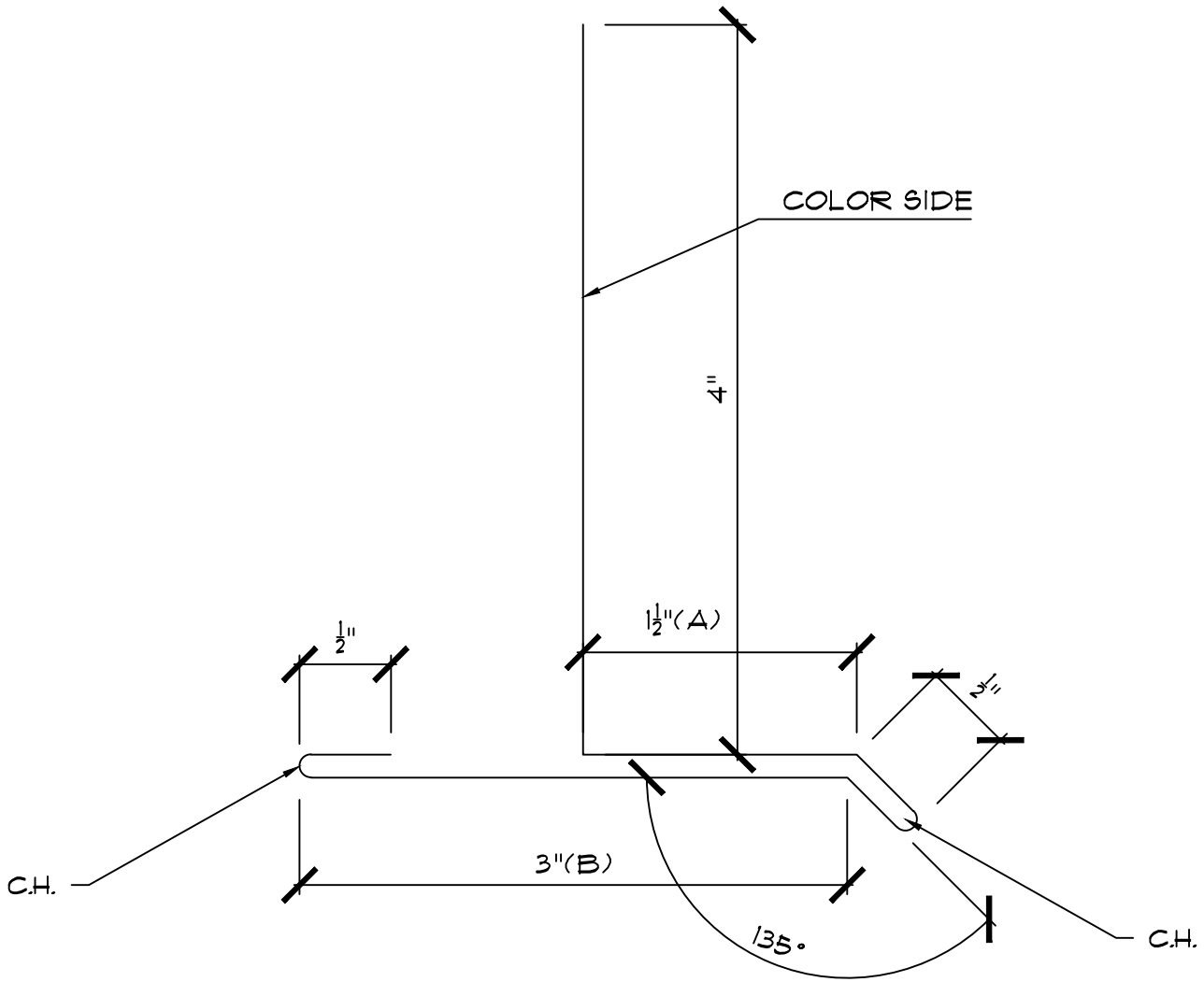
GAUGE: _____ STRETCH-OUT: 9 1/2"
 COLOR: _____ # OF BREAKS: 6
 LENGTH: 10'-0" QUANTITY: _____

PART #: DF021
 PART NAME: _____
DRIP

CUSTOMER: _____
 JOB NAME: _____
 AEPS ORDER #: _____

DRAWN BY: BMG
 DATE: 08/01/16
 ACCEPTED BY: _____
 DATE: _____

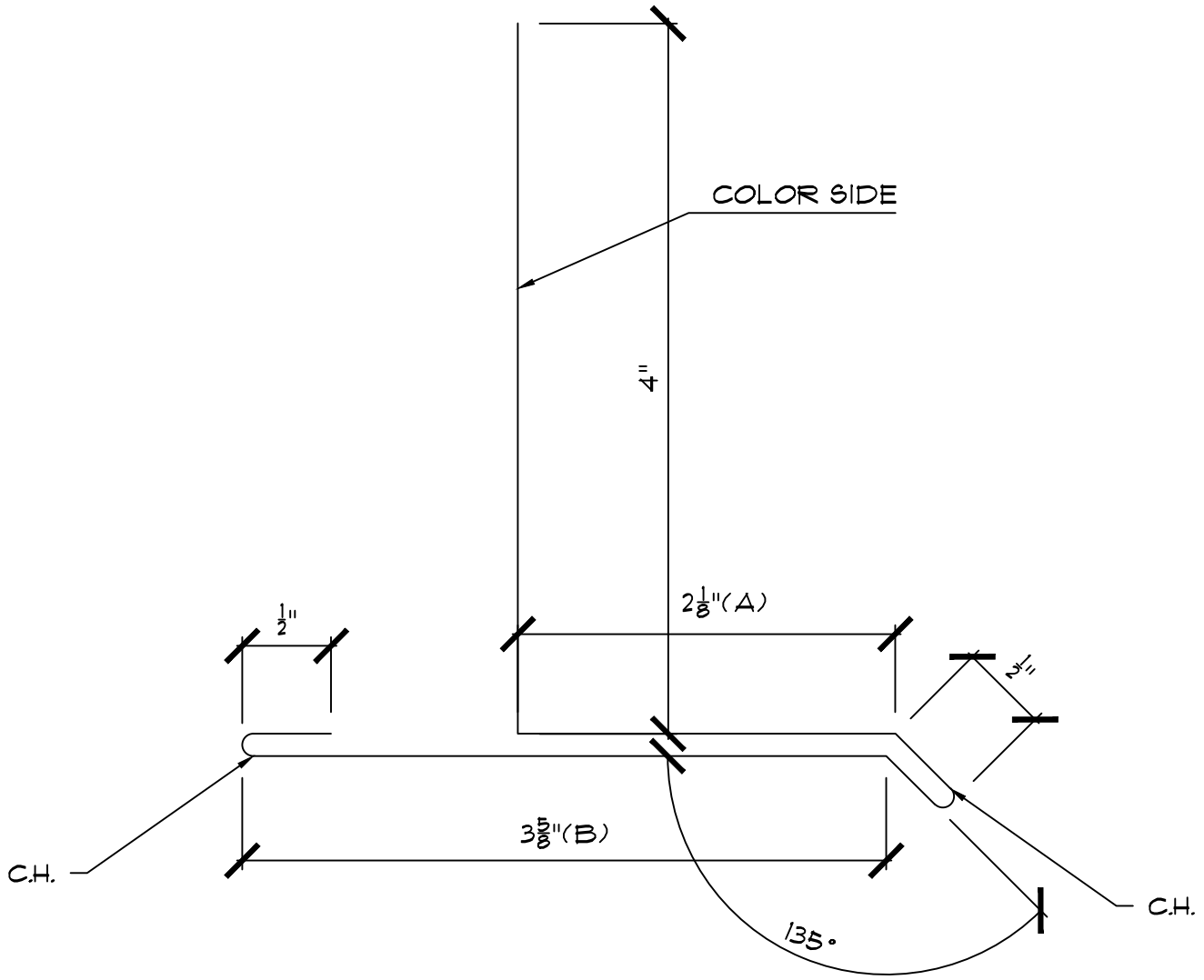




GAUGE: _____	STRETCH-OUT: <u>10"</u>	PART #: <u>DF012</u>
COLOR: _____	# OF BREAKS: <u>7</u>	PART NAME:
LENGTH: <u>10'-0"</u>	QUANTITY: _____	<u>DRIPFLASHING W/SOFFIT</u>

CUSTOMER: _____	DRAWN BY: _____
JOB NAME: _____	DATE: _____
AEPS ORDER #: _____	ACCEPTED BY: _____
	DATE: _____





GAUGE: _____	STRETCH-OUT: <u>11 1/4"</u>
COLOR: _____	# OF BREAKS: <u>7</u>
LENGTH: <u>10'-0"</u>	QUANTITY: _____

PART #: DF013

PART NAME: DRIP FLASHING W/SOFFIT

CUSTOMER: _____

JOB NAME: _____

AEPS ORDER #: _____

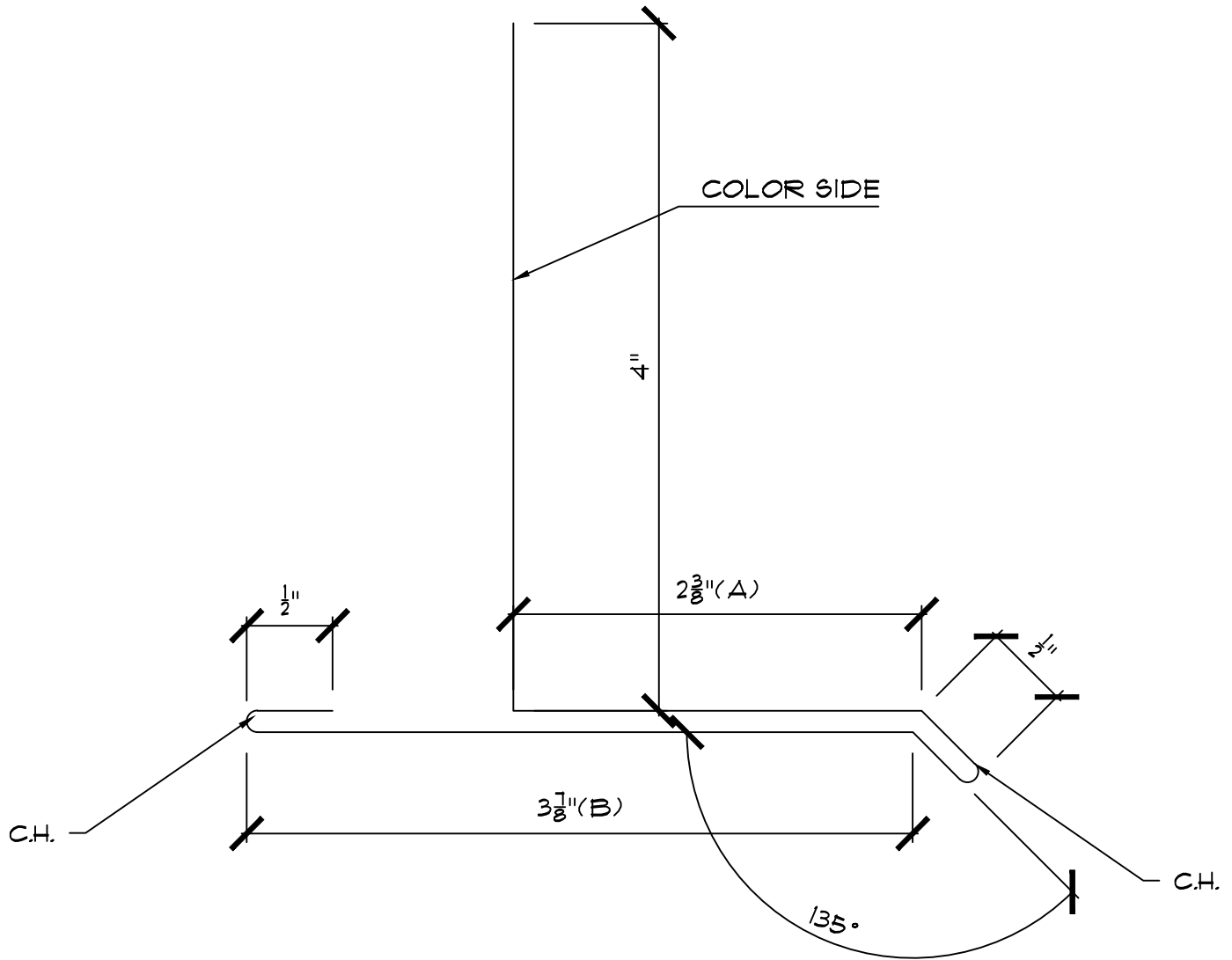
DRAWN BY: _____

DATE: _____

ACCEPTED BY: _____

DATE: _____

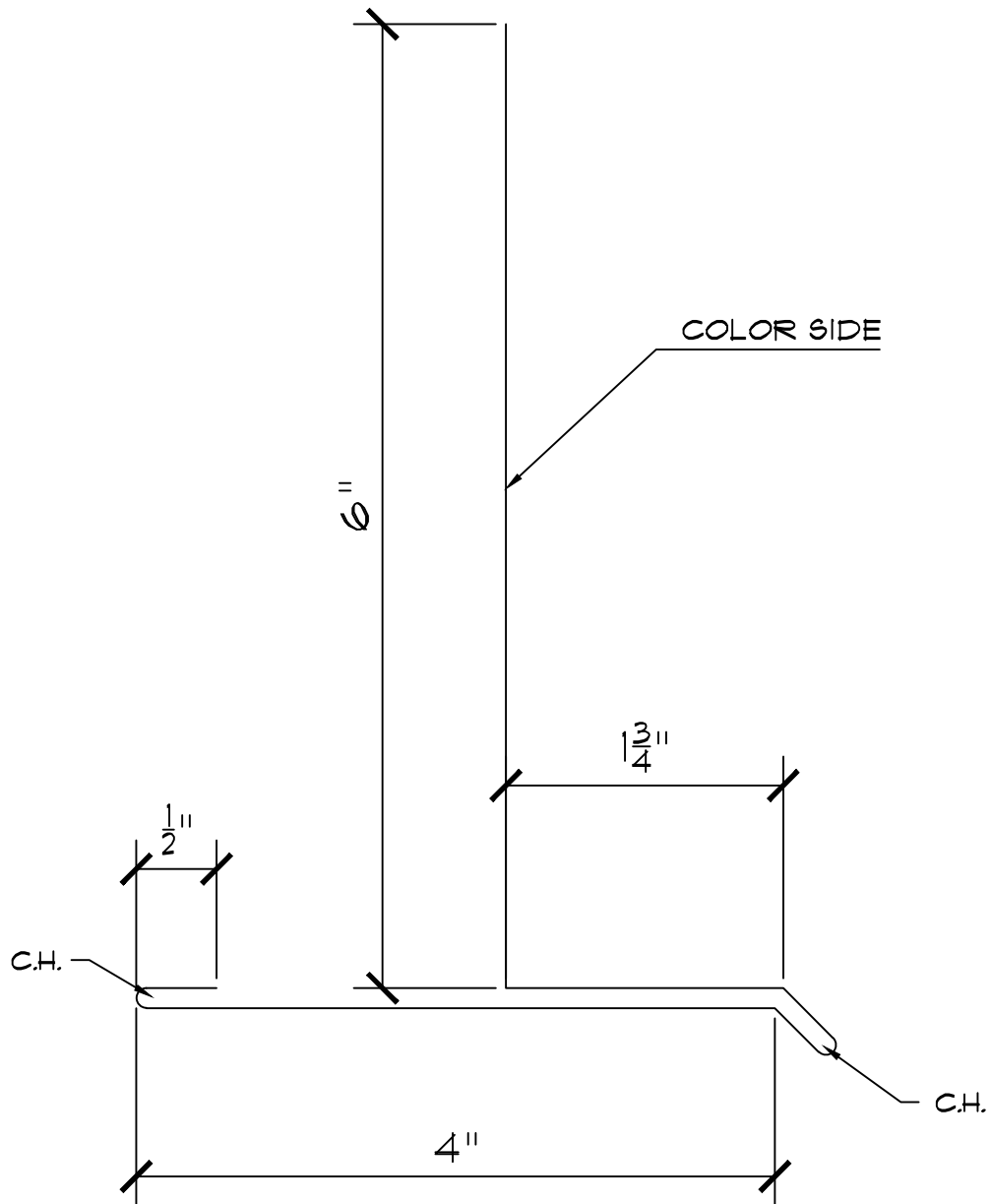




GAUGE: _____	STRETCH-OUT: <u>11 3/4"</u>	PART #: <u>DF014</u>
COLOR: _____	# OF BREAKS: <u>7</u>	PART NAME:
LENGTH: <u>10'-0"</u>	QUANTITY: _____	<u>DRIP FLASHING W/SOFFIT</u>

CUSTOMER: _____	DRAWN BY: _____
JOB NAME: _____	DATE: _____
AEPS ORDER #: _____	ACCEPTED BY: _____
	DATE: _____

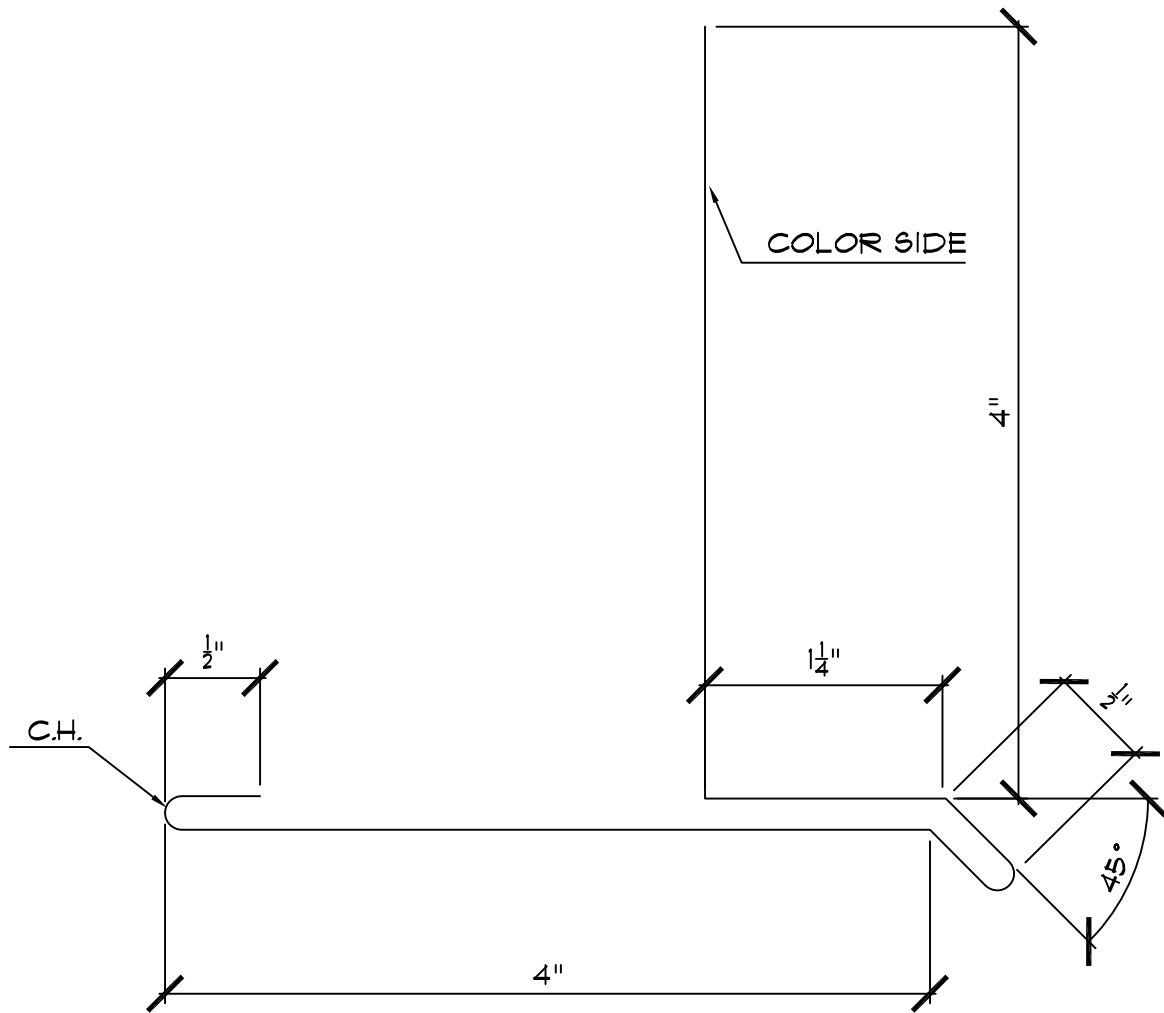




GAUGE: _____	STRETCH-OUT: <u>13 1/4"</u>	PART #: <u>DF017</u>
COLOR: _____	# OF BREAKS: <u>7</u>	PART NAME:
LENGTH: <u>10'-0"</u>	QUANTITY: _____	<u>DRIP FLASHING</u>

CUSTOMER: _____ JOB NAME: _____ AEPS ORDER #: _____	DRAWN BY: _____ DATE: _____
	ACCEPTED BY: _____ DATE: _____





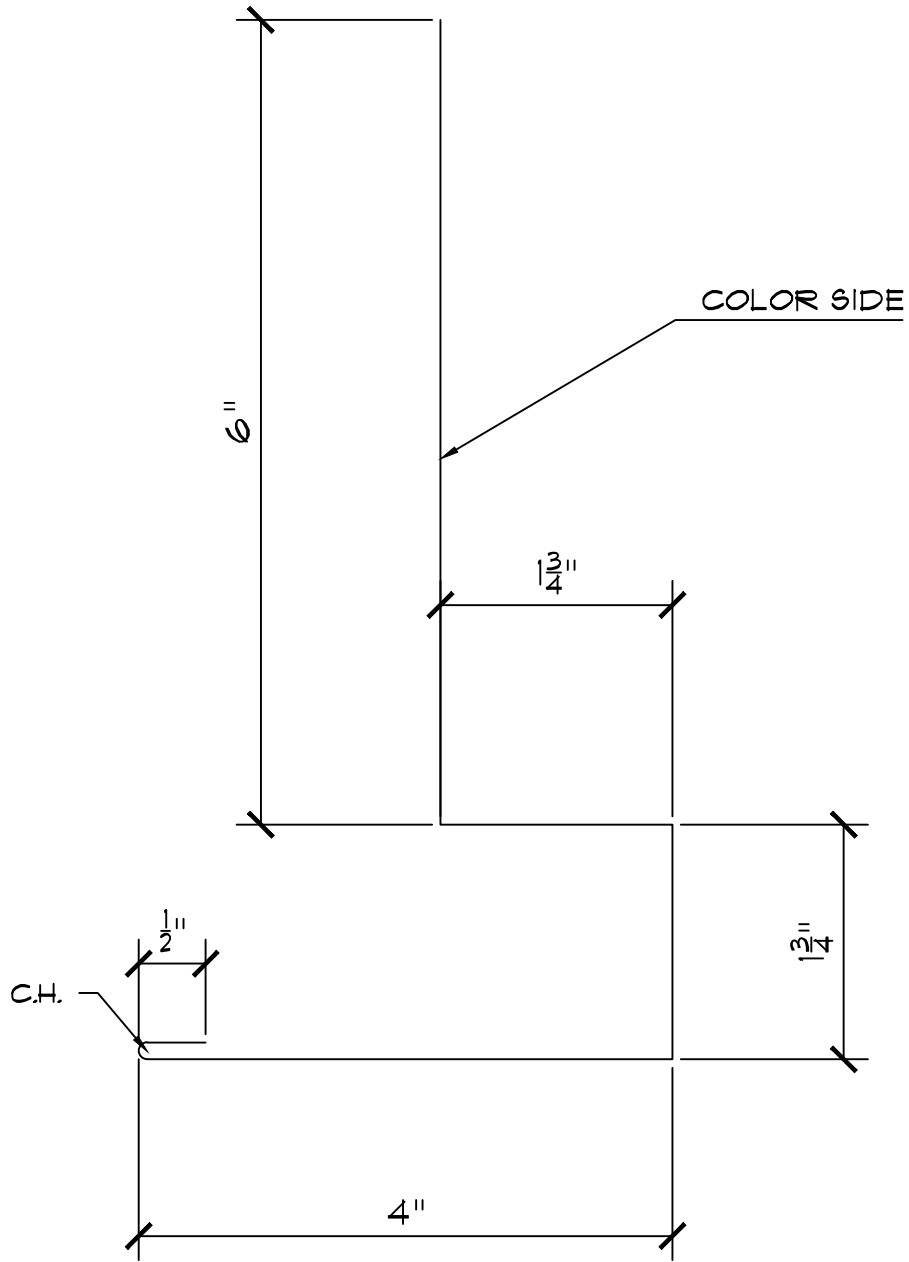
GAUGE: _____ STRETCH-OUT: 10 3/4"
 COLOR: _____ # OF BREAKS: 7
 LENGTH: 10'-0" QUANTITY: _____

PART #: DF019
 PART NAME: DRIP

CUSTOMER: _____
 JOB NAME: _____
 AEPS ORDER #: _____

DRAWN BY: BMG
 DATE: 8/01/16
 ACCEPTED BY: _____
 DATE: _____

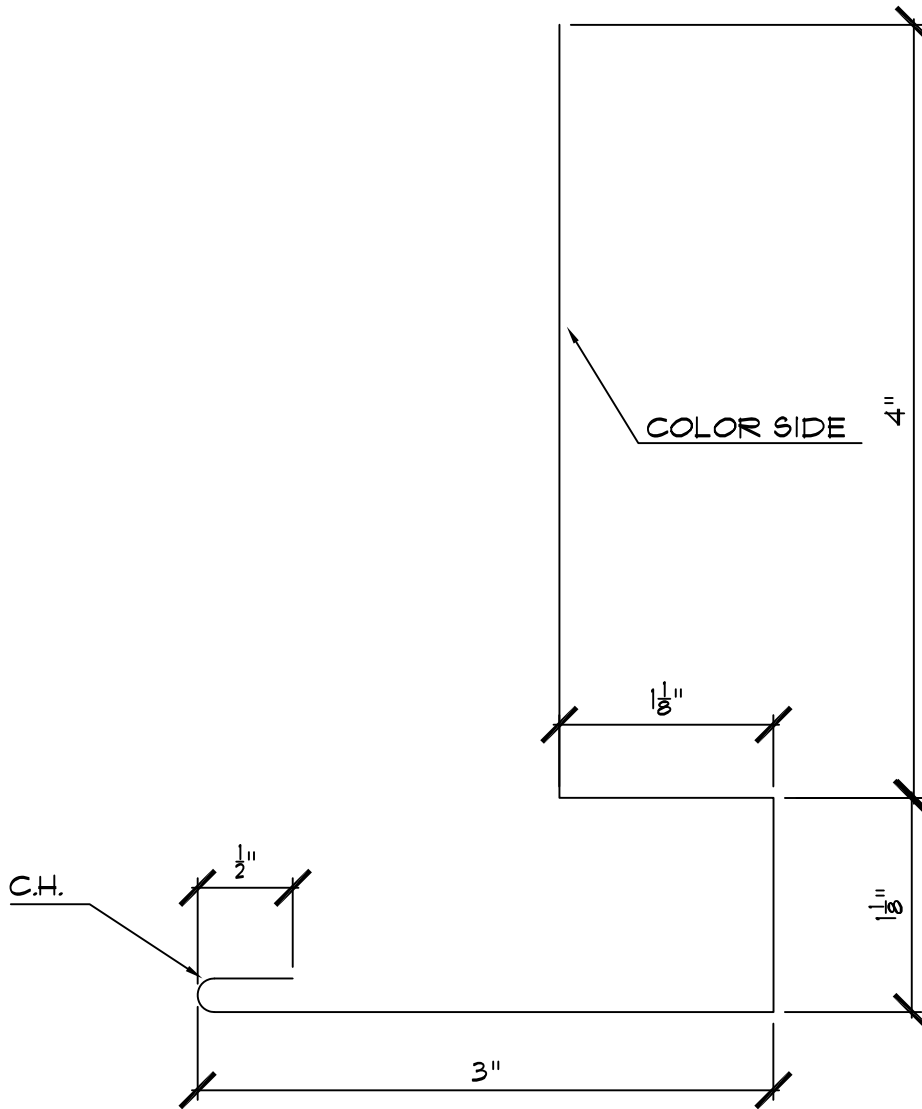




GAUGE: _____	STRETCH-OUT: <u>14"</u>	PART #: <u>DF016</u>
COLOR: _____	# OF BREAKS: <u>5</u>	PART NAME:
LENGTH: <u>10'-0"</u>	QUANTITY: _____	<u>DRIP FLASHING</u>

CUSTOMER: _____ JOB NAME: _____ AEPS ORDER #: _____	DRAWN BY: _____ DATE: _____
	ACCEPTED BY: _____ DATE: _____





GAUGE: _____ STRETCH-OUT: 9 3/4"

COLOR: _____ # OF BREAKS: 5

LENGTH: 10'-0" QUANTITY: _____

PART #: DF018

PART NAME: _____

DRIP

CUSTOMER: _____

JOB NAME: _____

AEPS ORDER #: _____

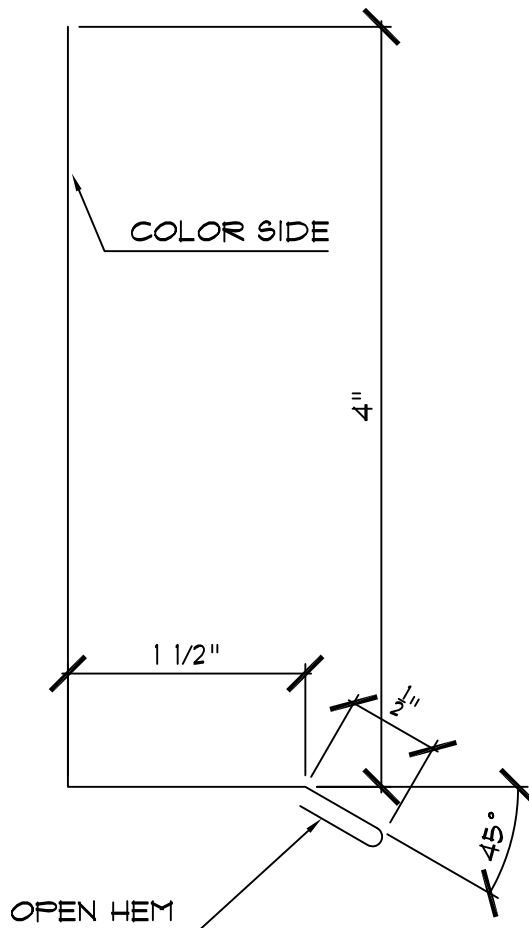
DRAWN BY: BMG

DATE: 8/01/16

ACCEPTED BY: _____

DATE: _____





GAUGE: _____ STRETCH-OUT: 6 1/2"

COLOR: _____ # OF BREAKS: 4

LENGTH: 10'-0" QUANTITY: _____

PART #: DF028

PART NAME: _____

DRIP @ SOFFIT

CUSTOMER: _____

JOB NAME: _____

AEPS ORDER #: _____

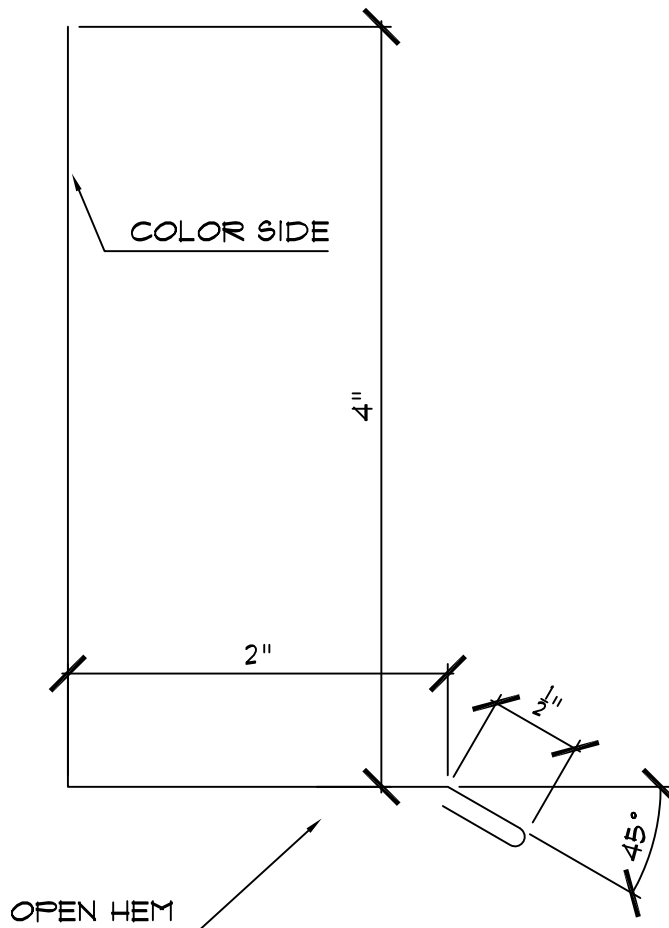
DRAWN BY: BMG

DATE: 08/01/16

ACCEPTED BY: _____

DATE: _____





GAUGE: _____ STRETCH-OUT: 7"

COLOR: _____ # OF BREAKS: 4

LENGTH: 10'-0" QUANTITY: _____

PART #: DF029

PART NAME:

DRIP @ SOFFIT

CUSTOMER: _____

JOB NAME: _____

AEPS ORDER #: _____

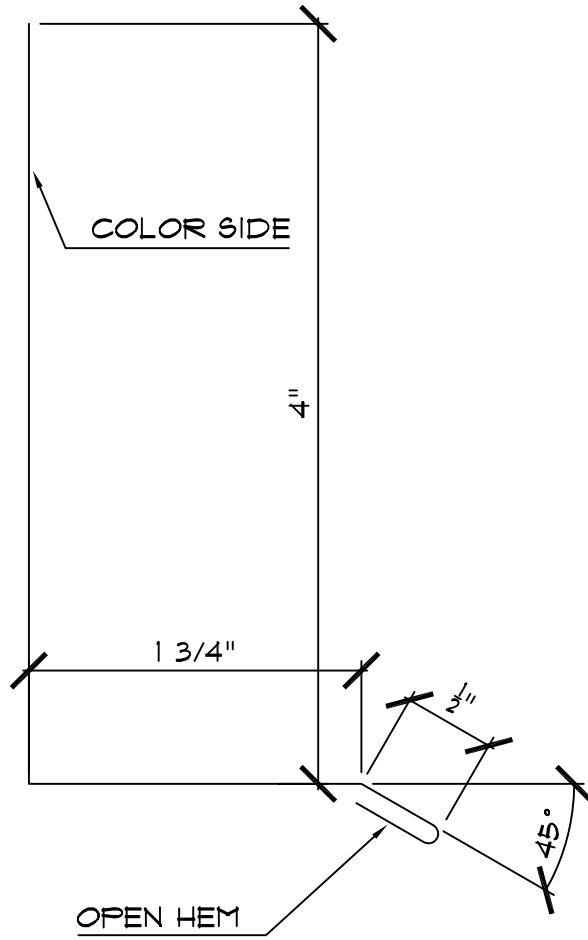
DRAWN BY: BMG

DATE: 08/01/16

ACCEPTED BY: _____

DATE: _____





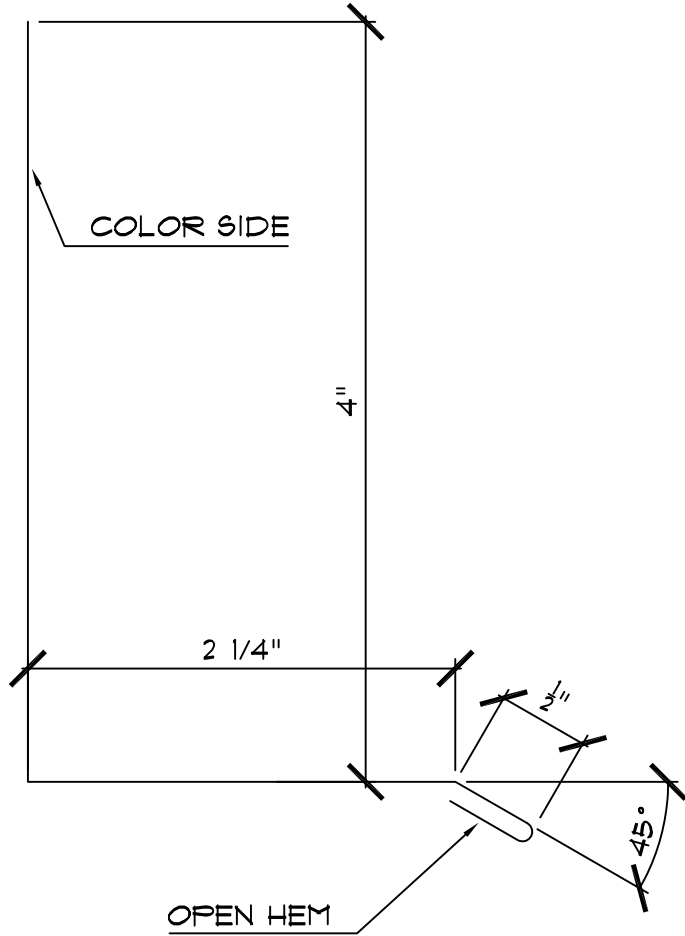
GAUGE: _____ STRETCH-OUT: 6 3/4"
 COLOR: _____ # OF BREAKS: 4
 LENGTH: 10'-0" QUANTITY: _____

PART #: DF030
 PART NAME: _____
DRIP @ SOFFIT

CUSTOMER: _____
 JOB NAME: _____
 AEPS ORDER #: _____

DRAWN BY: BMG
 DATE: 08/01/16
 ACCEPTED BY: _____
 DATE: _____





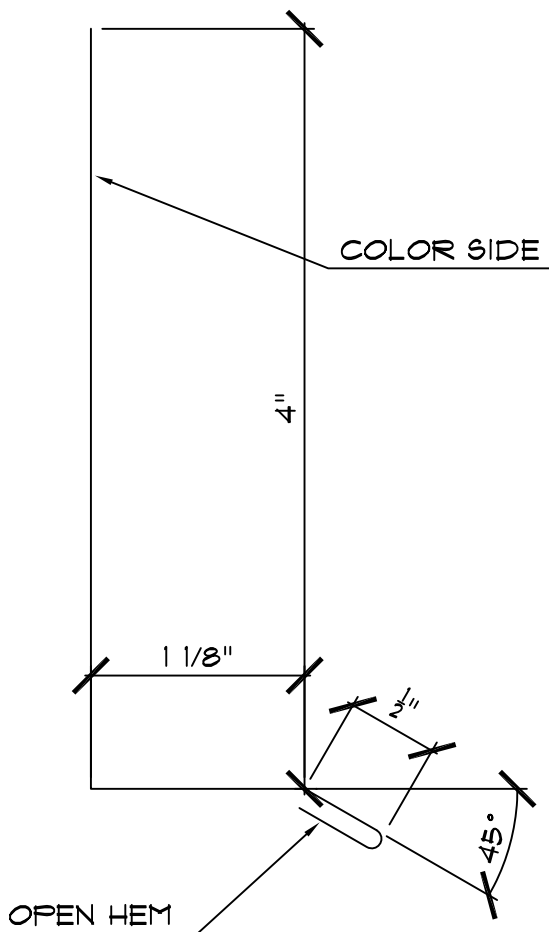
GAUGE: _____ STRETCH-OUT: 7 1/4"
 COLOR: _____ # OF BREAKS: 4
 LENGTH: 10'-0" QUANTITY: _____

PART #: DF031
 PART NAME: _____
 DRIP @ SOFFIT _____

CUSTOMER: _____
 JOB NAME: _____
 AEPS ORDER #: _____

DRAWN BY: BMG
 DATE: 08/01/16
 ACCEPTED BY: _____
 DATE: _____





GAUGE: _____ STRETCH-OUT: 6 1/8"

COLOR: _____ # OF BREAKS: 4

LENGTH: 10'-0" QUANTITY: _____

PART #: DF032

PART NAME:

DRIP @ SOFFIT

CUSTOMER: _____

JOB NAME: _____

AEPS ORDER #: _____

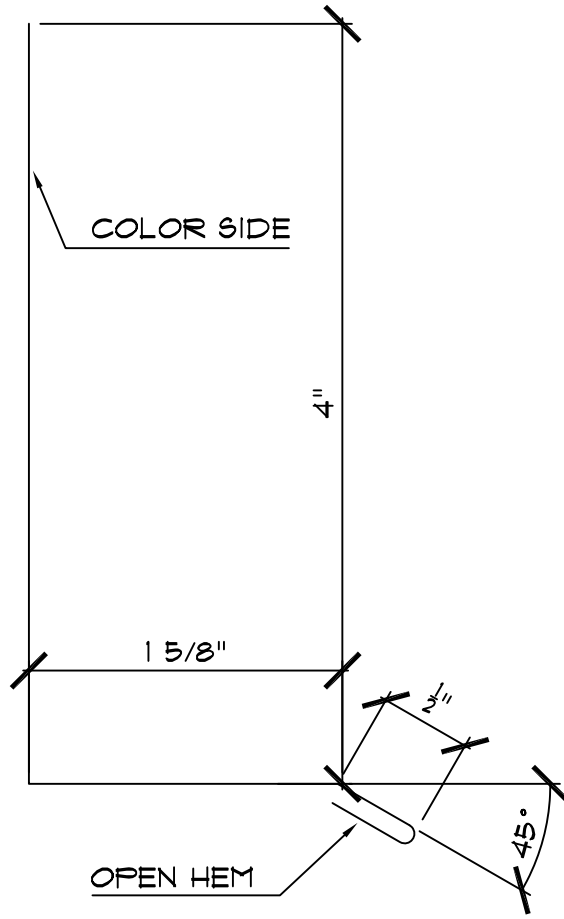
DRAWN BY: BMG

DATE: 08/01/16

ACCEPTED BY: _____

DATE: _____





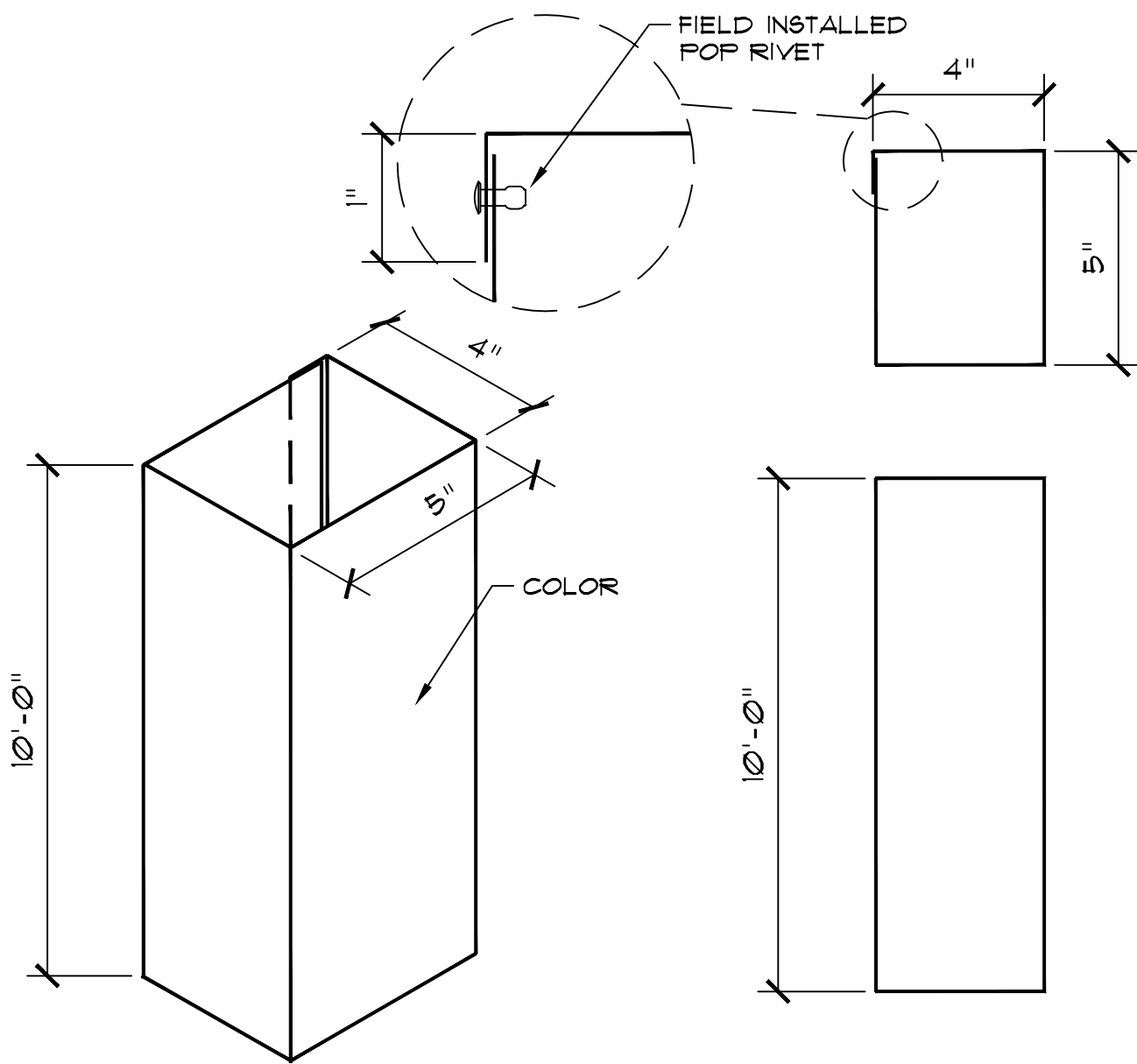
GAUGE: _____ STRETCH-OUT: 6 5/8"
 COLOR: _____ # OF BREAKS: 4
 LENGTH: 10'-0" QUANTITY: _____

PART #: DF033
 PART NAME: _____
DRIP @ SOFFIT

CUSTOMER: _____
 JOB NAME: _____
 AEPS ORDER #: _____

DRAWN BY: BMG
 DATE: 08/01/16
 ACCEPTED BY: _____
 DATE: _____





GAUGE: _____	STRETCH-OUT: <u>19"</u>
COLOR: _____	# OF BREAKS: <u>4</u>
LENGTH: <u>10'-0"</u>	QUANTITY: _____

PART #: DS020

PART NAME: LARGE DOWNSPOUT

CUSTOMER: _____

JOB NAME: _____

AEPS ORDER #: _____

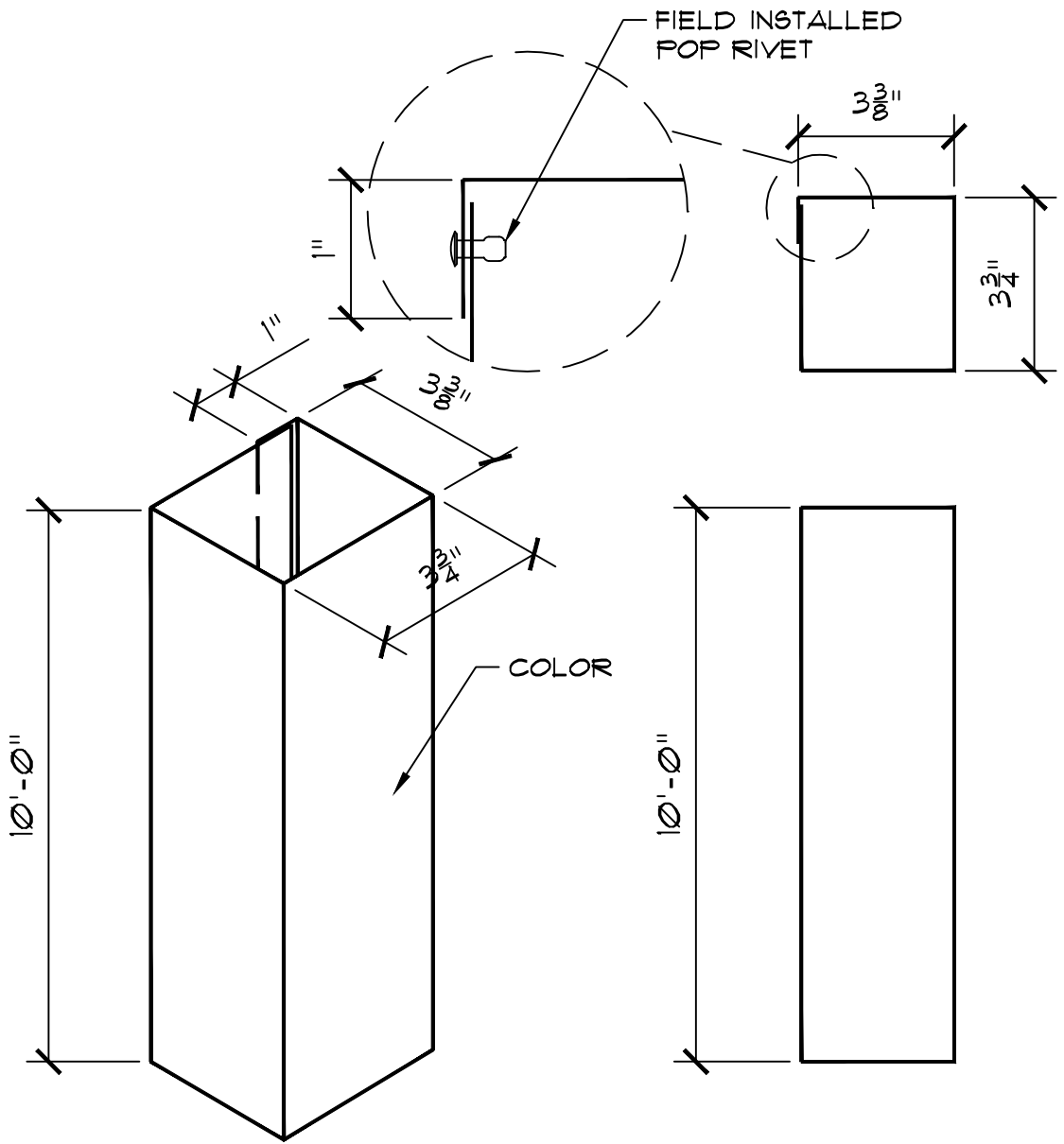
DRAWN BY: _____

DATE: _____

ACCEPTED BY: _____

DATE: _____





GAUGE: _____	STRETCH-OUT: <u>15"</u>
COLOR: _____	# OF BREAKS: <u>4</u>
LENGTH: <u>10'-0"</u>	QUANTITY: _____

PART #: DS022

PART NAME: SMALL DOWNSPOUT

CUSTOMER: _____

JOB NAME: _____

AEPS ORDER #: _____

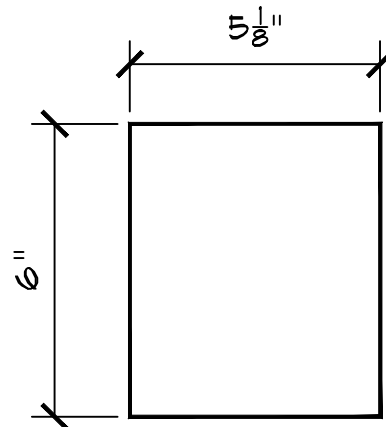
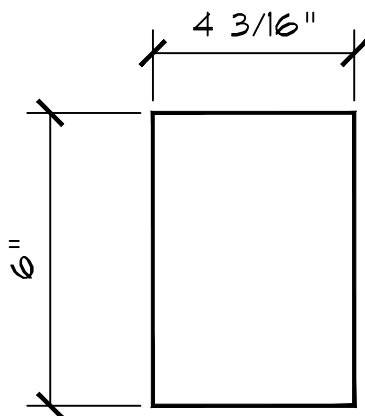
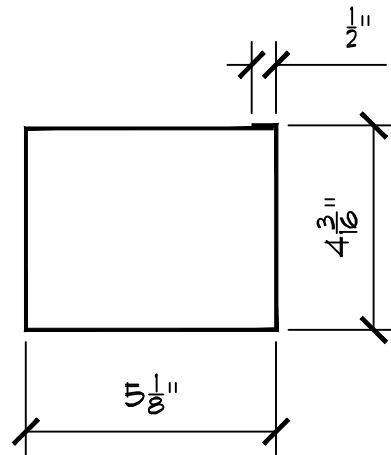
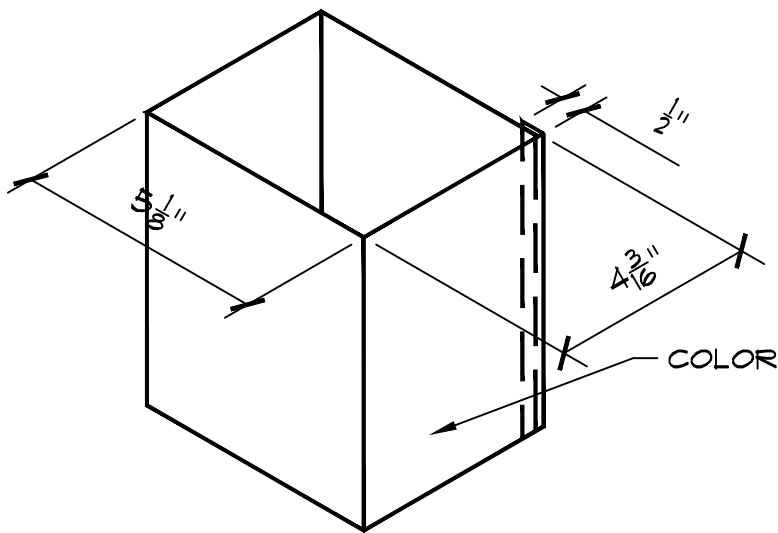
DRAWN BY: _____

DATE: _____

ACCEPTED BY: _____

DATE: _____





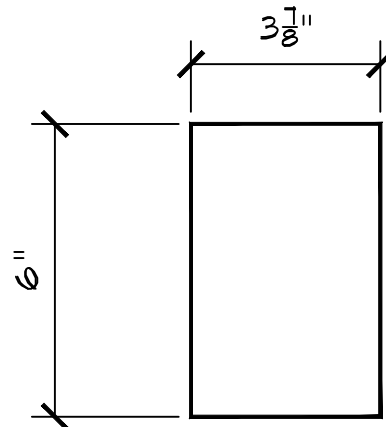
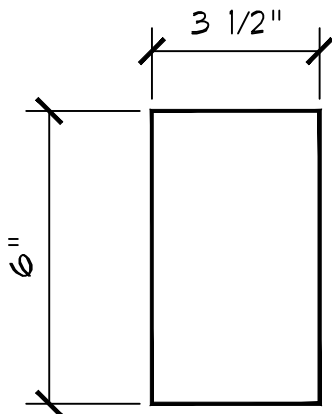
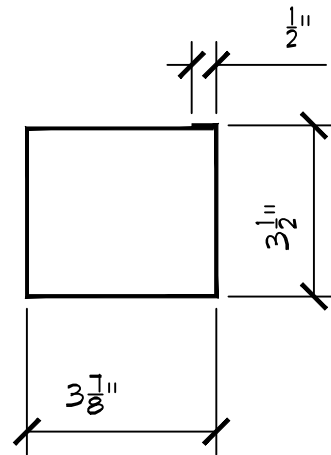
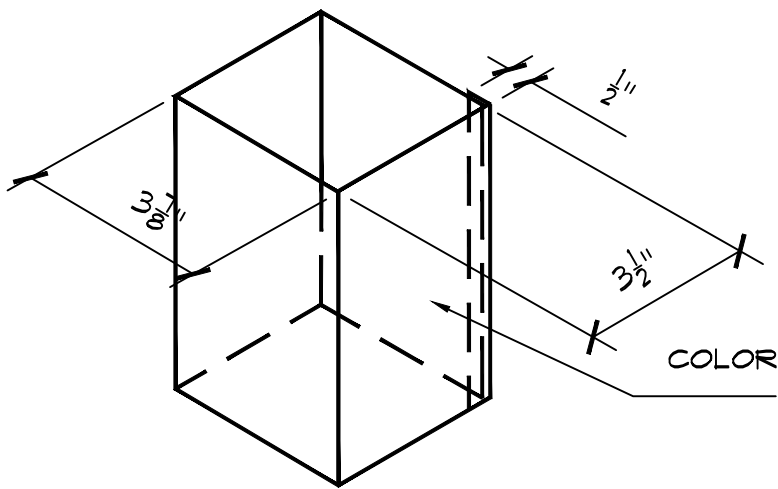
GAUGE: _____ STRETCH-OUT: 19"
 COLOR: _____ # OF BREAKS: 4
 LENGTH: 6" QUANTITY: _____

PART #: DS024
 PART NAME:
LARGE DOWNSPOUT SPLICE

CUSTOMER: _____
 JOB NAME: _____
 AEPS ORDER #: _____

DRAWN BY: _____
 DATE: _____
 ACCEPTED BY: _____
 DATE: _____





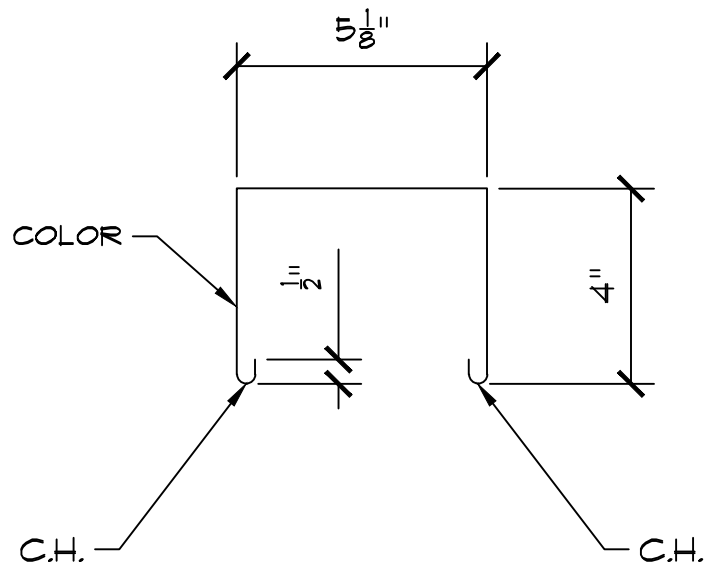
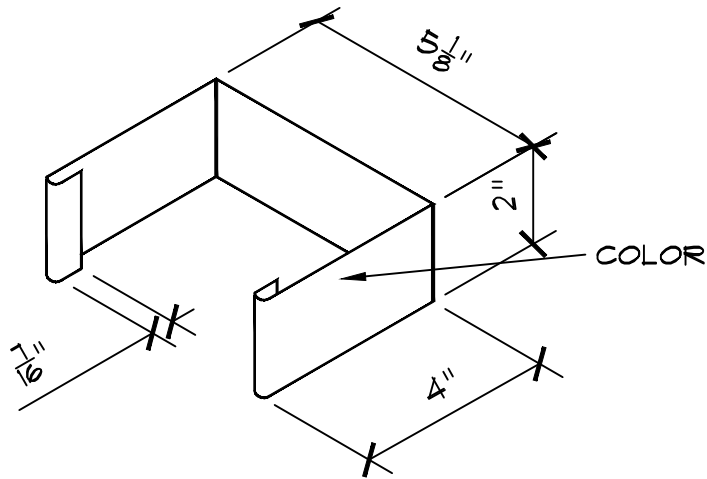
GAUGE: _____ STRETCH-OUT: 15 1/8"
 COLOR: _____ # OF BREAKS: 4
 LENGTH: 6" QUANTITY: _____

PART #: DS025
 PART NAME:
SMALL DOWNSPOUT SPLICE

CUSTOMER: _____
 JOB NAME: _____
 AEPS ORDER #: _____

DRAWN BY: _____
 DATE: _____
 ACCEPTED BY: _____
 DATE: _____





GAUGE: _____	STRETCH-OUT: <u>14 1/8"</u>
COLOR: _____	# OF BREAKS: <u>6</u>
LENGTH: <u>2"</u>	QUANTITY: _____

PART #: DS026

PART NAME:
LARGE DOWNSPOUT STRAP

CUSTOMER: _____

JOB NAME: _____

AEPS ORDER #: _____

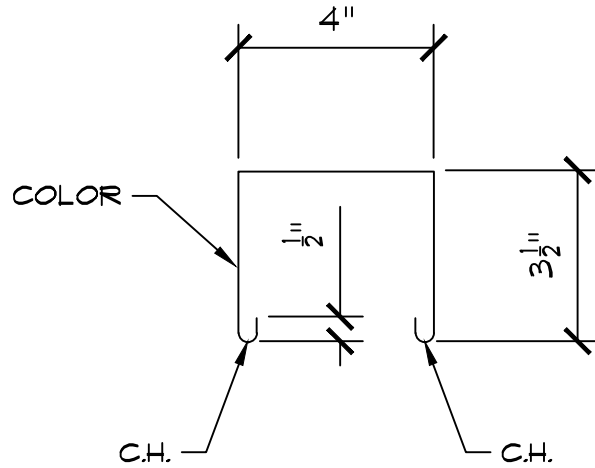
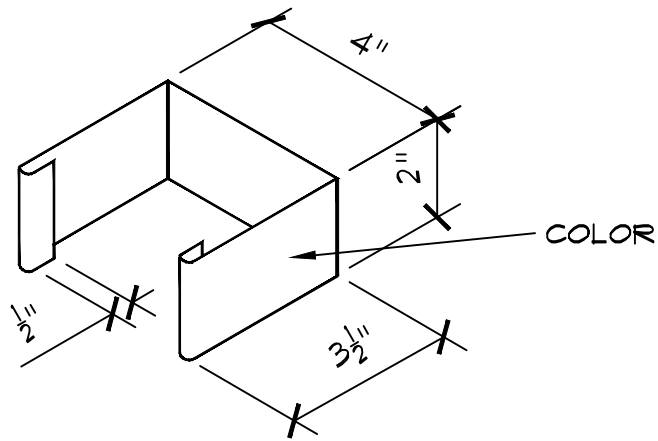
DRAWN BY: _____

DATE: _____

ACCEPTED BY: _____

DATE: _____





GAUGE: _____	STRETCH-OUT: <u>12"</u>
COLOR: _____	# OF BREAKS: <u>6</u>
LENGTH: <u>2"</u>	QUANTITY: _____

PART #: DS021

PART NAME: SMALL DOWNSPOUT STRAP

CUSTOMER: _____

JOB NAME: _____

AEPS ORDER #: _____

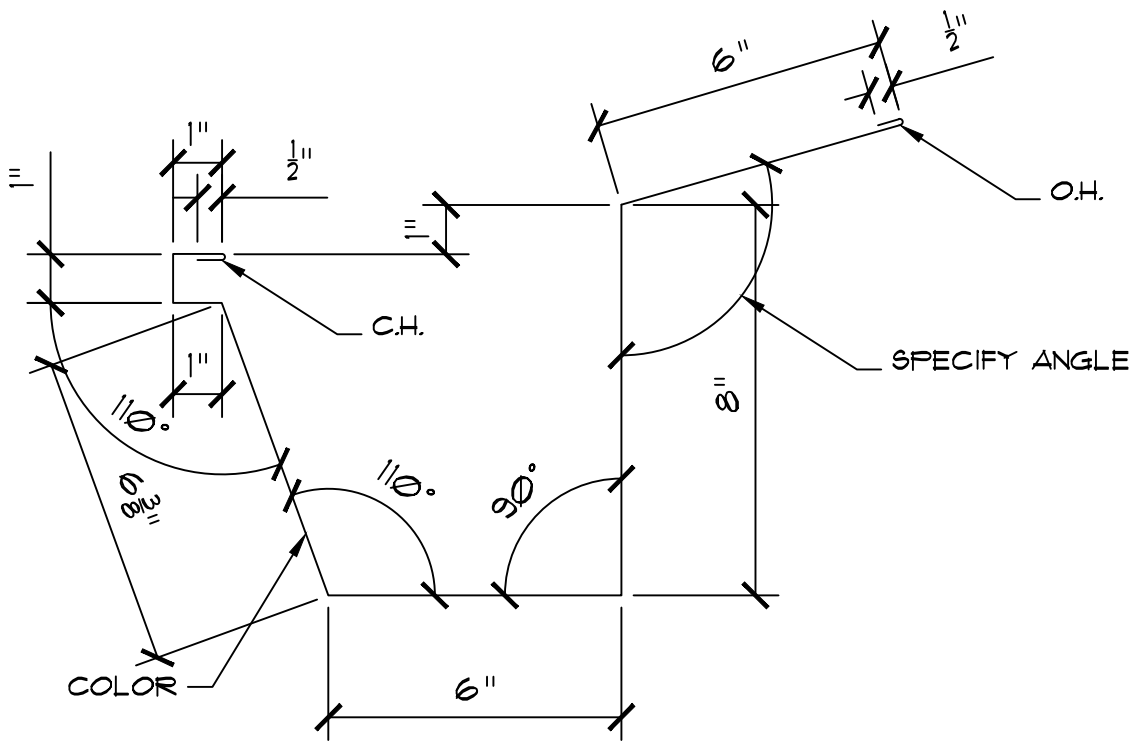
DRAWN BY: _____

DATE: _____

ACCEPTED BY: _____

DATE: _____





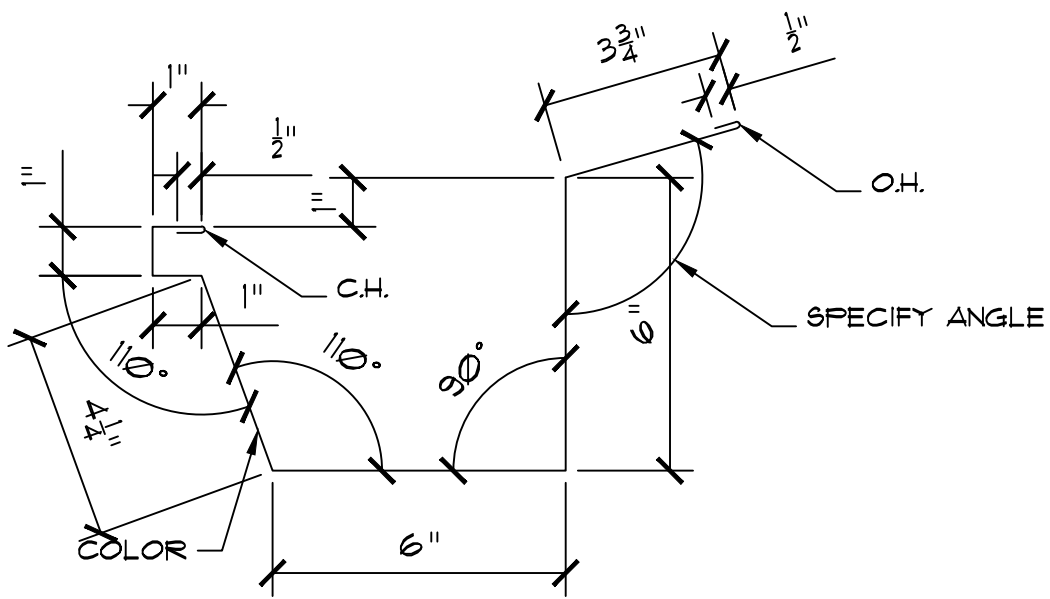
GAUGE: _____ STRETCH-OUT: 30 3/8"
 COLOR: _____ # OF BREAKS: 10
 LENGTH: 10'-0" QUANTITY: _____

PART #: EG029
 PART NAME:
LARGE BOX GUTTER

CUSTOMER: _____
 JOB NAME: _____
 AEPS ORDER #: _____

DRAWN BY: _____
 DATE: _____
 ACCEPTED BY: _____
 DATE: _____





GAUGE: _____	STRETCH-OUT: <u>24"</u>
COLOR: _____	# OF BREAKS: <u>10</u>
LENGTH: <u>10'-0"</u>	QUANTITY: _____

PART #: EGO31

PART NAME: SMALL BOX GUTTER

CUSTOMER: _____

JOB NAME: _____

AEPS ORDER #: _____

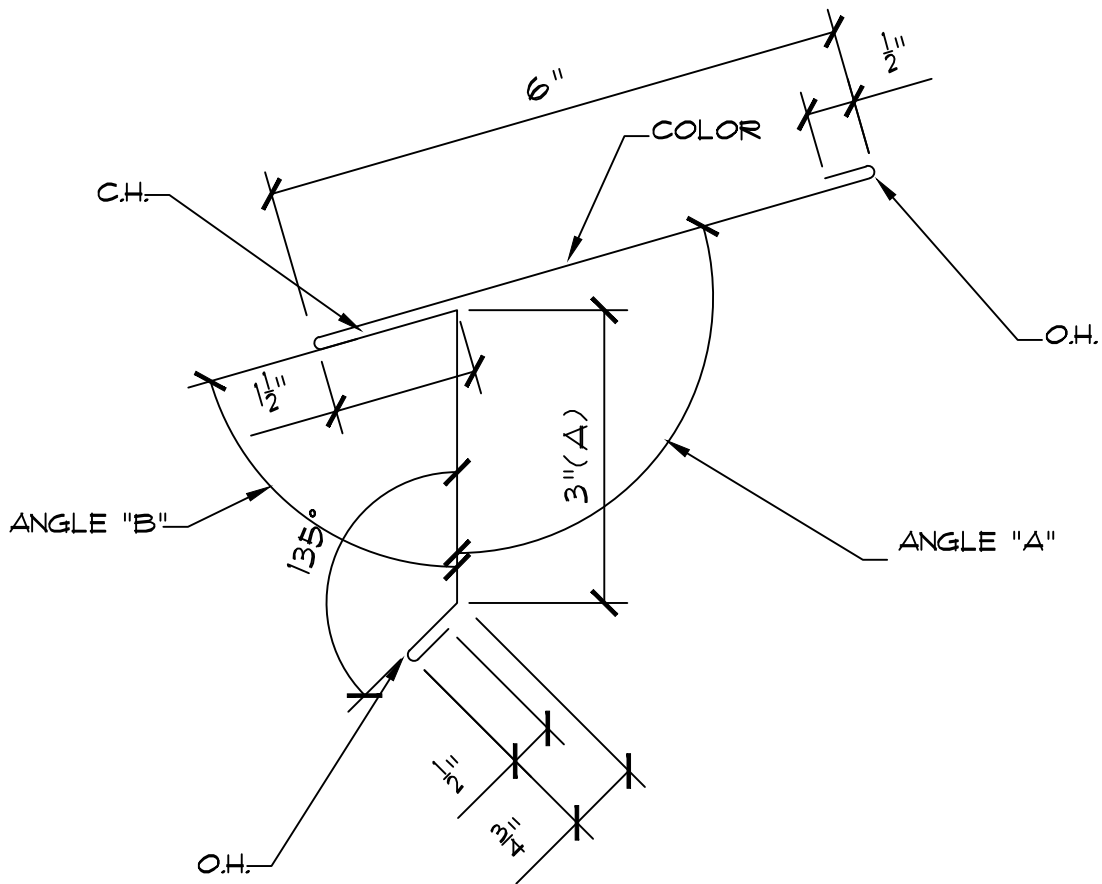
DRAWN BY: _____

DATE: _____

ACCEPTED BY: _____

DATE: _____

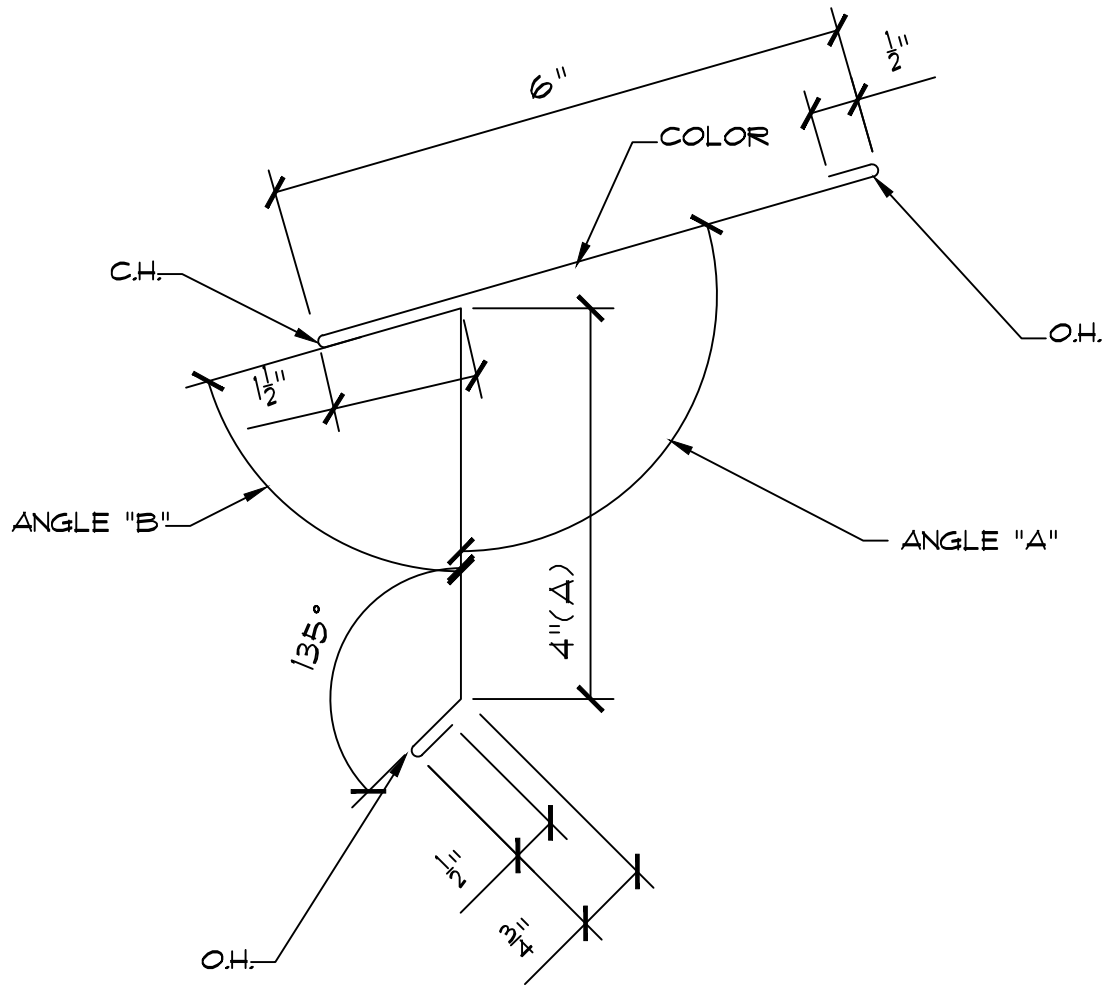




GAUGE: _____	STRETCH-OUT: <u>12 1/4"</u>	PART #: <u>ETO33</u>
COLOR: _____	# OF BREAKS: <u>8</u>	PART NAME: _____
LENGTH: <u>10'-0"</u>	QUANTITY: _____	<u>EAVE TRIM</u>

CUSTOMER: _____ JOB NAME: _____ AEPS ORDER #: _____	DRAWN BY: _____ DATE: _____
	ACCEPTED BY: _____ DATE: _____

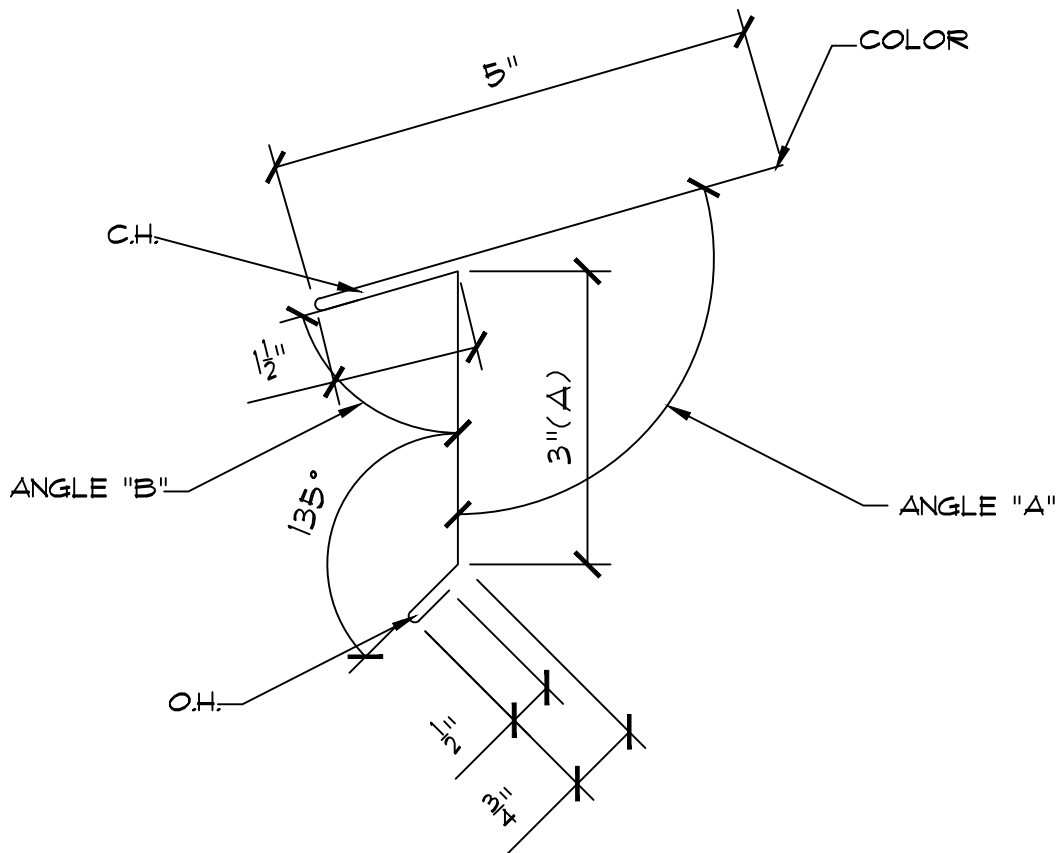




GAUGE: _____	STRETCH-OUT: <u>13 1/4"</u>	PART #: <u>ETO35</u>
COLOR: _____	# OF BREAKS: <u>8</u>	PART NAME: _____
LENGTH: <u>10'-0"</u>	QUANTITY: _____	<u>EAVE TRIM</u>

CUSTOMER: _____	DRAWN BY: _____
JOB NAME: _____	DATE: _____
AEPS ORDER #: _____	ACCEPTED BY: _____
	DATE: _____





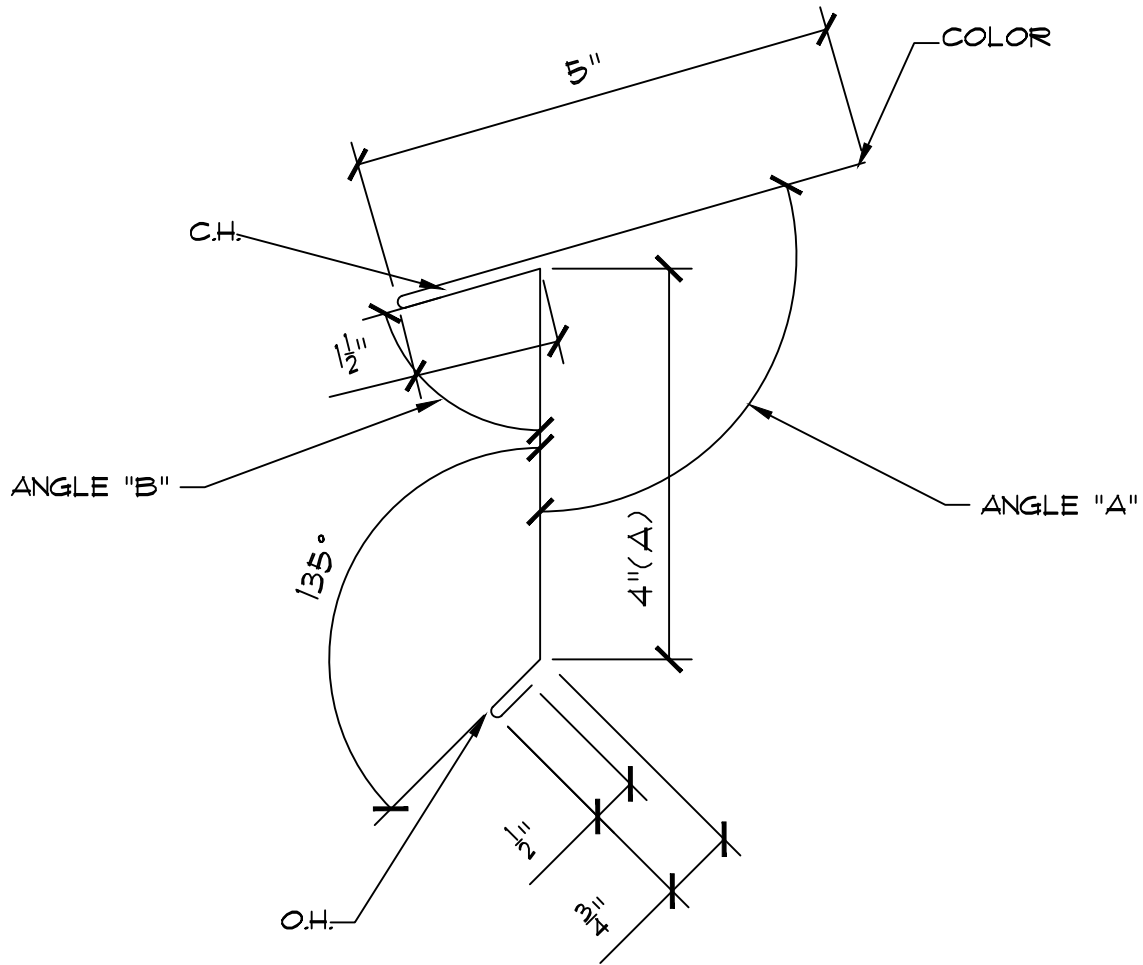
GAUGE: _____ STRETCH-OUT: 10 3/4"
 COLOR: _____ # OF BREAKS: 6
 LENGTH: 10'-0" QUANTITY: _____

PART #: ETO37
 PART NAME: _____
EAVE TRIM

CUSTOMER: _____
 JOB NAME: _____
 AEPS ORDER #: _____

DRAWN BY: _____
 DATE: _____
 ACCEPTED BY: _____
 DATE: _____

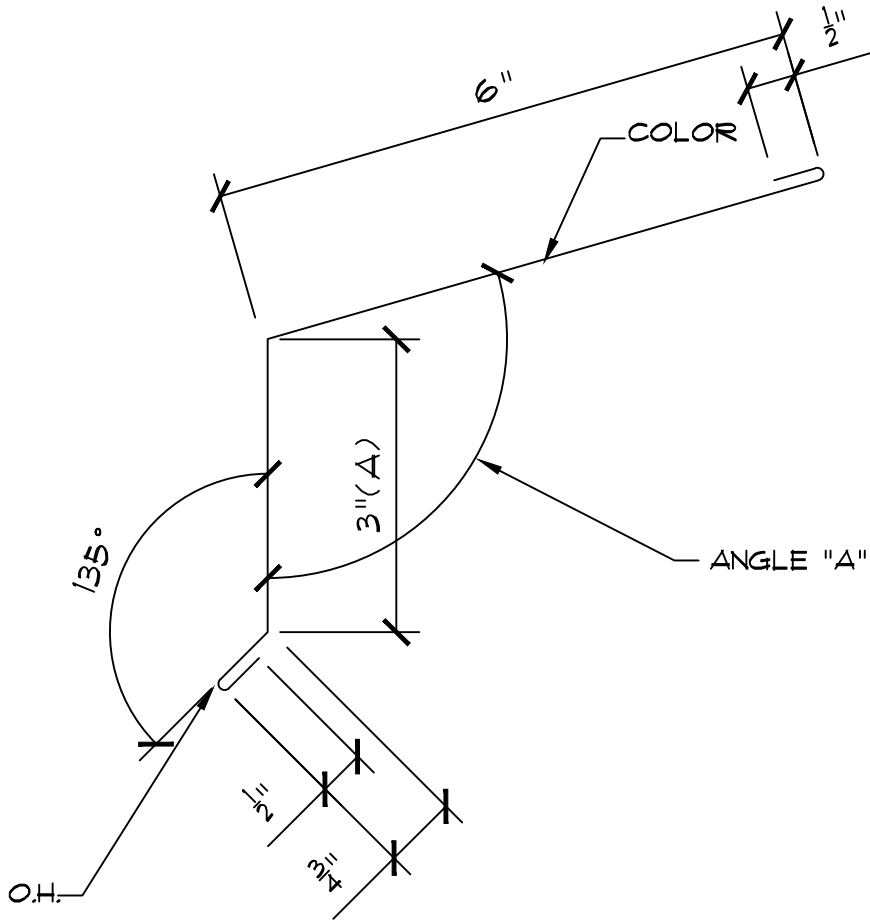




GAUGE: _____	STRETCH-OUT: <u>11 3/4"</u>	PART #: <u>ETO39</u>
COLOR: _____	# OF BREAKS: <u>6</u>	PART NAME: _____
LENGTH: <u>10'-0"</u>	QUANTITY: _____	<u>EAVE TRIM</u>

CUSTOMER: _____	DRAWN BY: _____
JOB NAME: _____	DATE: _____
AEPS ORDER #: _____	ACCEPTED BY: _____
	DATE: _____





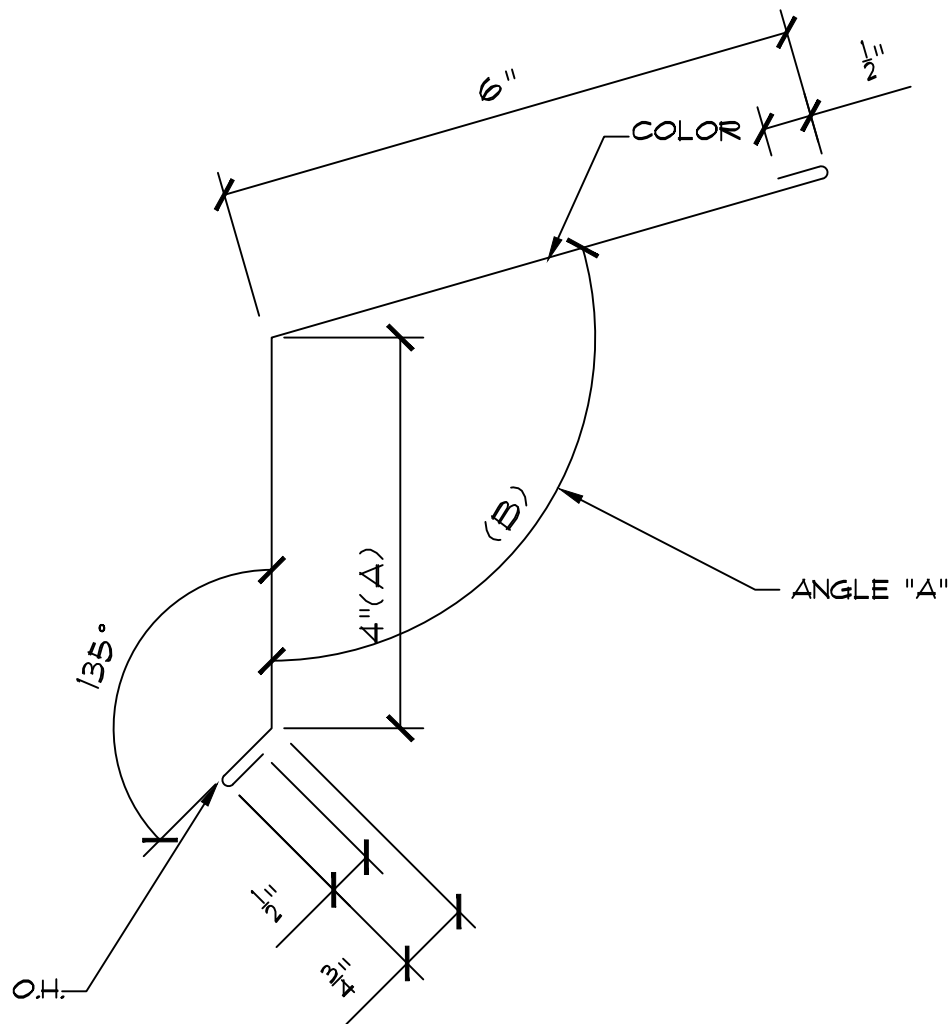
GAUGE: _____	STRETCH-OUT: <u>10 3/4"</u>
COLOR: _____	# OF BREAKS: <u>6</u>
LENGTH: <u>10'-0"</u>	QUANTITY: _____

PART #: <u>ETO41</u>
PART NAME: <u>EAVE TRIM</u>

CUSTOMER: _____
JOB NAME: _____
AEPS ORDER #: _____

DRAWN BY: _____
DATE: _____
ACCEPTED BY: _____
DATE: _____





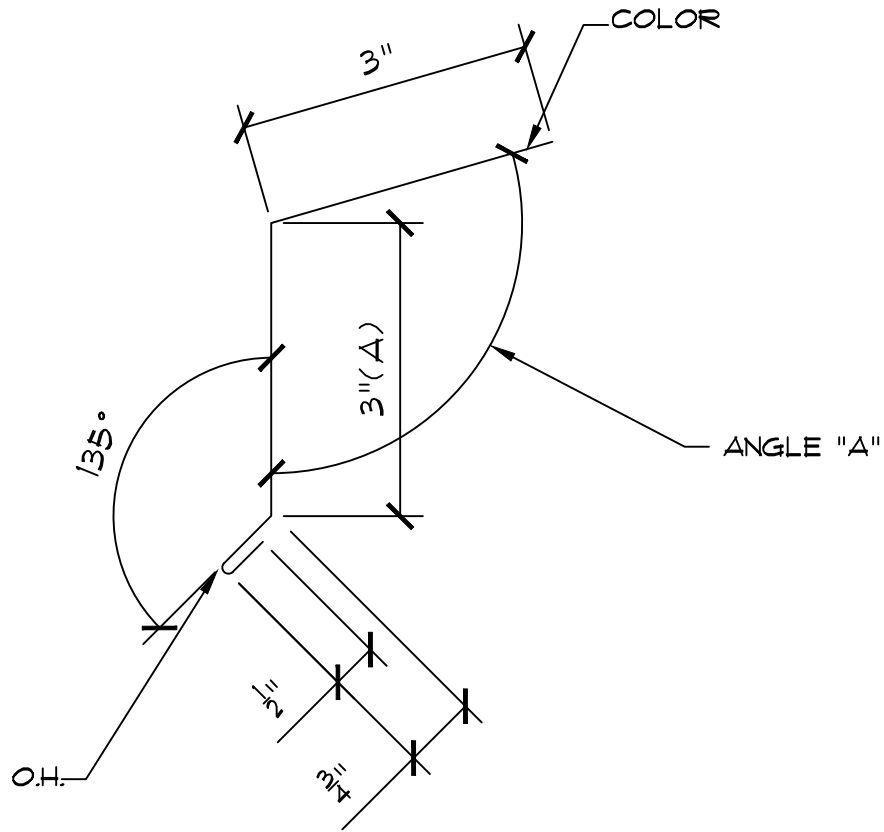
GAUGE: _____	STRETCH-OUT: <u>11 3/4"</u>
COLOR: _____	# OF BREAKS: <u>6</u>
LENGTH: <u>10'-0"</u>	QUANTITY: _____

PART #: <u>ETO43</u>
PART NAME: _____
<u>EAVE TRIM</u>

CUSTOMER: _____
JOB NAME: _____
AEPS ORDER #: _____

DRAWN BY: _____
DATE: _____
ACCEPTED BY: _____
DATE: _____

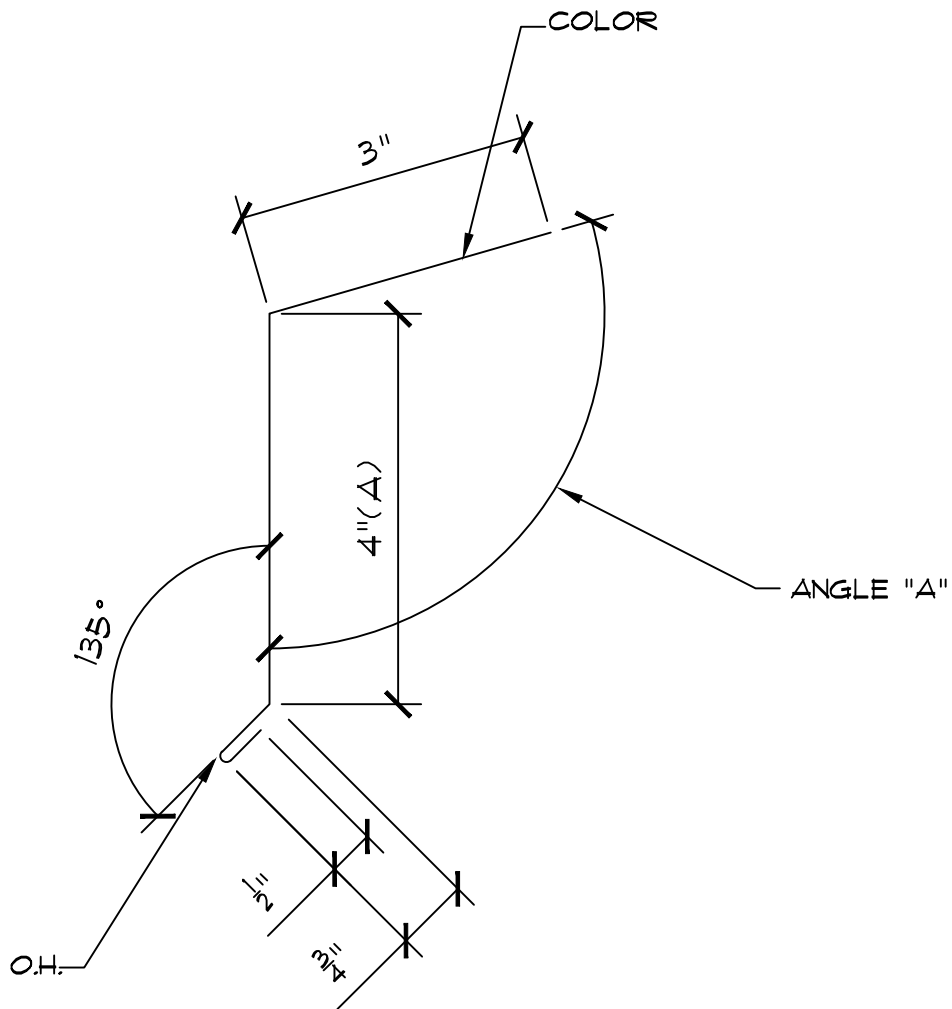




GAUGE: _____	STRETCH-OUT: <u>7 1/4"</u>	PART #: <u>ETO45</u>
COLOR: _____	# OF BREAKS: <u>4</u>	PART NAME: _____
LENGTH: <u>10'-0"</u>	QUANTITY: _____	<u>EAVE TRIM</u>

CUSTOMER: _____	DRAWN BY: _____
JOB NAME: _____	DATE: _____
AEPS ORDER #: _____	ACCEPTED BY: _____
	DATE: _____





GAUGE: _____	STRETCH-OUT: <u>8 1/4"</u>
COLOR: _____	# OF BREAKS: <u>4</u>
LENGTH: <u>10'-0"</u>	QUANTITY: _____

PART #: ETO47

PART NAME: EAVE TRIM

CUSTOMER: _____

JOB NAME: _____

AEPS ORDER #: _____

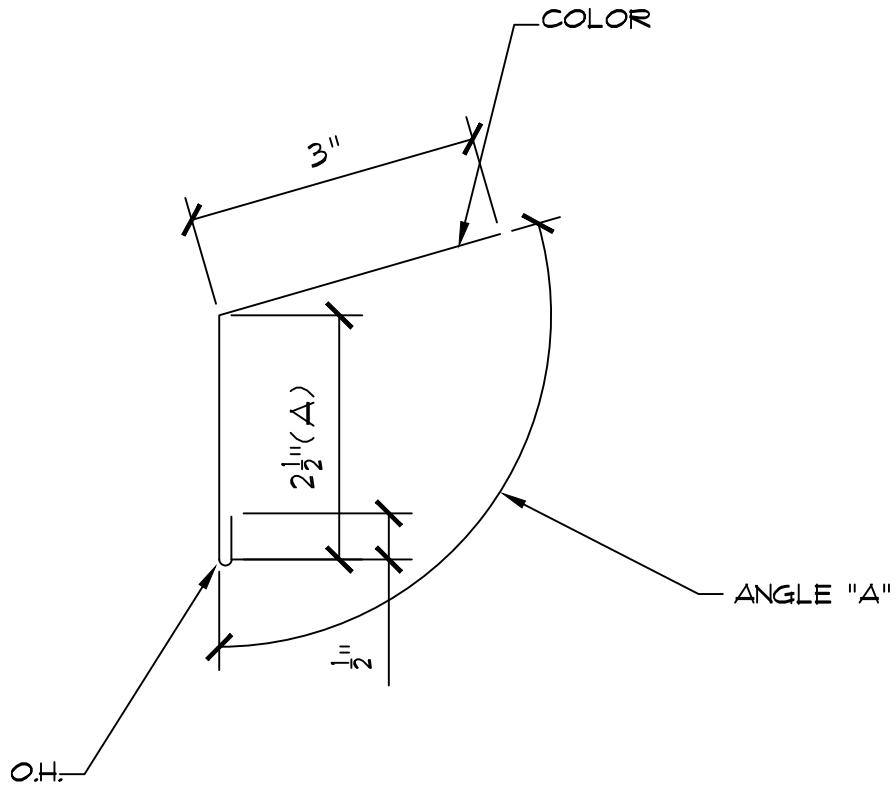
DRAWN BY: _____

DATE: _____

ACCEPTED BY: _____

DATE: _____





GAUGE: _____	STRETCH-OUT: <u>6"</u>
COLOR: _____	# OF BREAKS: <u>3</u>
LENGTH: <u>10'-0"</u>	QUANTITY: _____

PART #: ETO49

PART NAME: EAVE TRIM

CUSTOMER: _____

JOB NAME: _____

AEPS ORDER #: _____

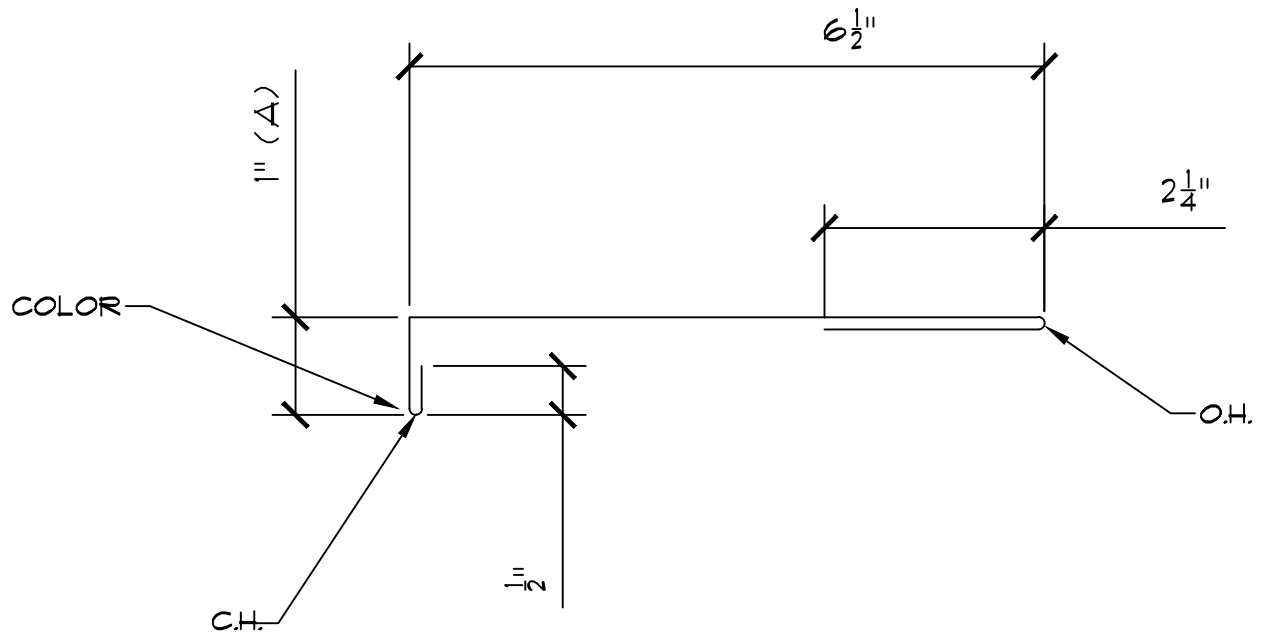
DRAWN BY: _____

DATE: _____

ACCEPTED BY: _____

DATE: _____

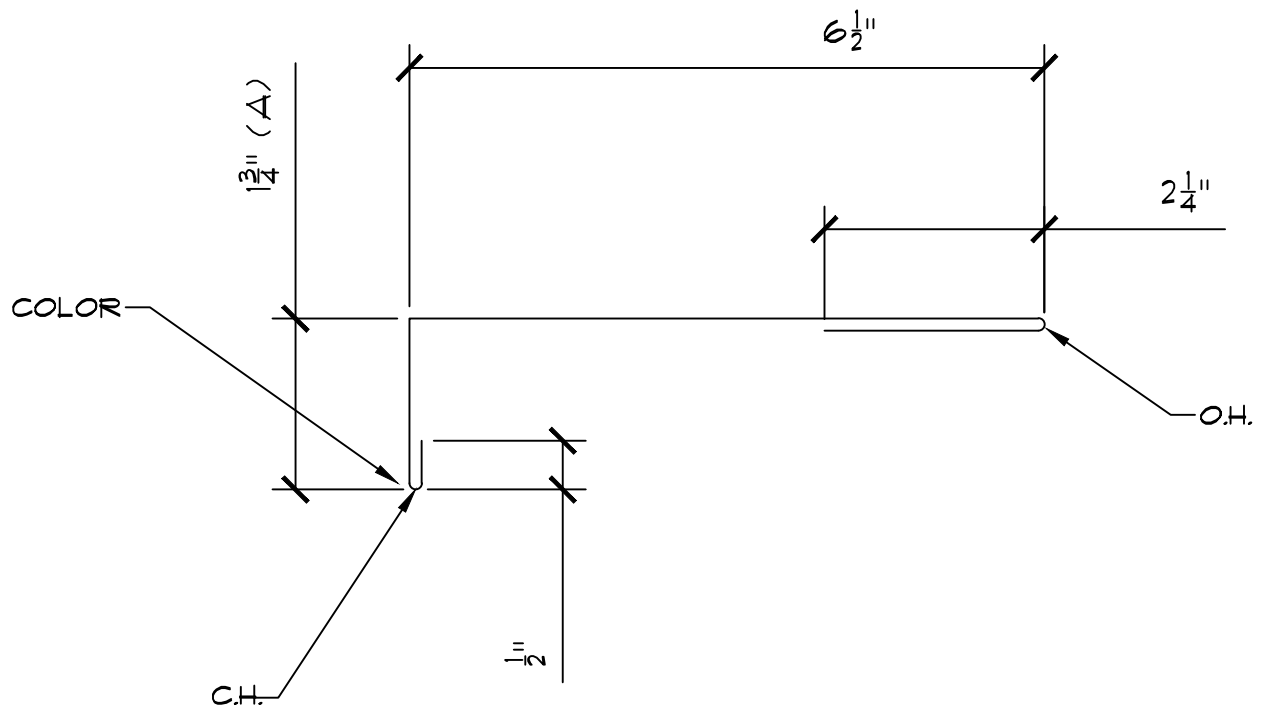




GAUGE: _____	STRETCH-OUT: <u>10 1/4"</u>	PART #: <u>EX053</u>
COLOR: _____	# OF BREAKS: <u>5</u>	PART NAME:
LENGTH: <u>10'-0"</u>	QUANTITY: _____	<u>EXPANSION TRIM</u>

CUSTOMER: _____	DRAWN BY: _____
JOB NAME: _____	DATE: _____
AEPS ORDER #: _____	ACCEPTED BY: _____
	DATE: _____





GAUGE: _____	STRETCH-OUT: <u>11"</u>
COLOR: _____	# OF BREAKS: <u>5</u>
LENGTH: <u>10'-0"</u>	QUANTITY: _____

PART #: EX055

PART NAME: _____

EXPANSION TRIM

CUSTOMER: _____

JOB NAME: _____

AEPS ORDER #: _____

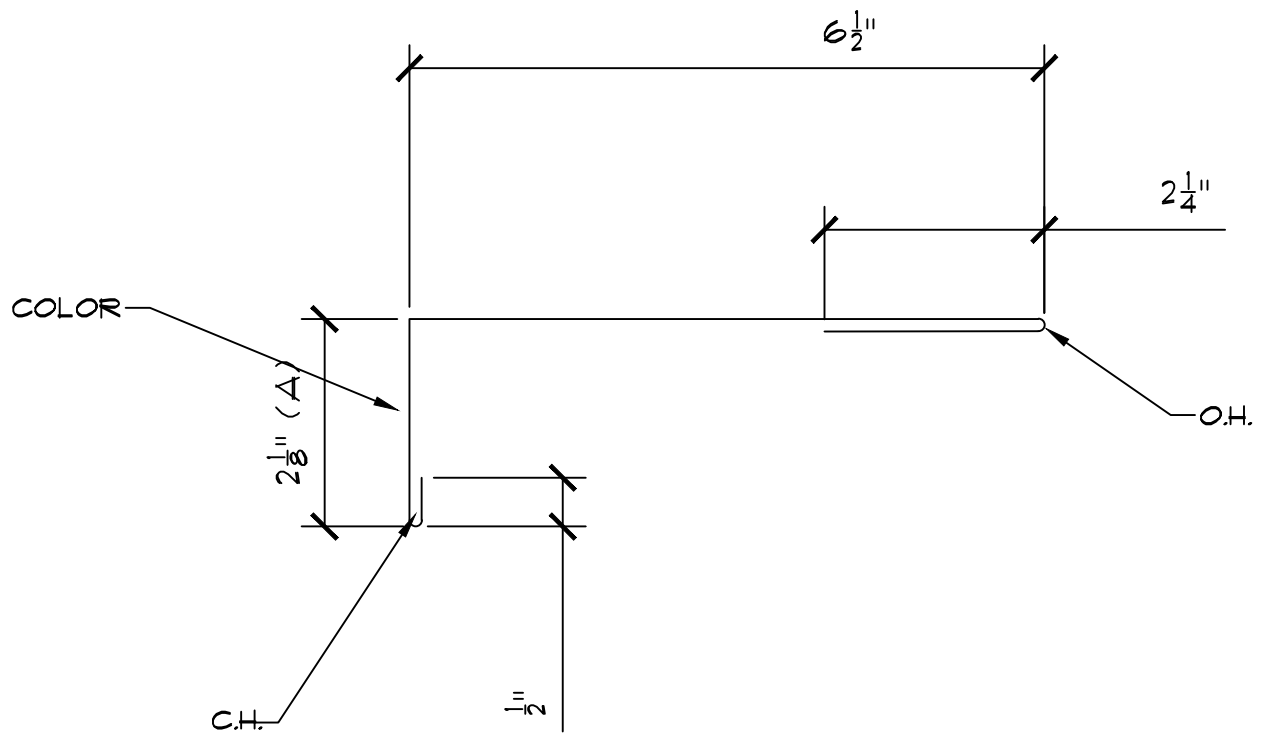
DRAWN BY: _____

DATE: _____

ACCEPTED BY: _____

DATE: _____

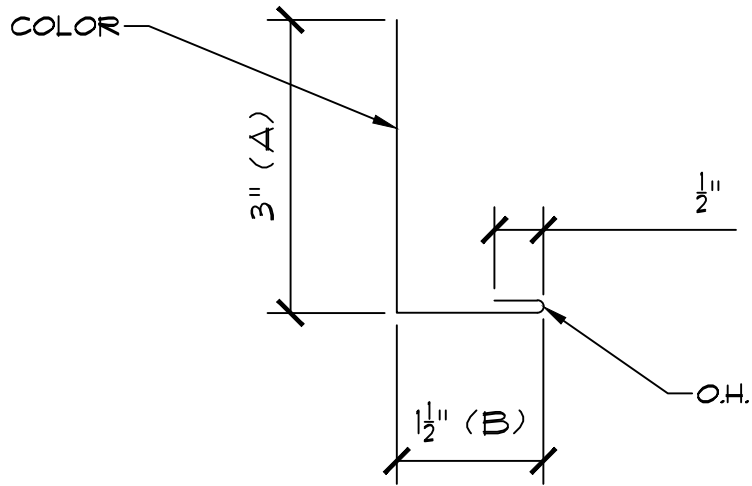




GAUGE: _____	STRETCH-OUT: <u>11 3/8''</u>	PART #: <u>EX056</u>
COLOR: _____	# OF BREAKS: <u>5</u>	PART NAME:
LENGTH: <u>10'-0''</u>	QUANTITY: _____	<u>EXPANSION TRIM</u>

CUSTOMER: _____	DRAWN BY: _____
JOB NAME: _____	DATE: _____
AEPS ORDER #: _____	ACCEPTED BY: _____
	DATE: _____

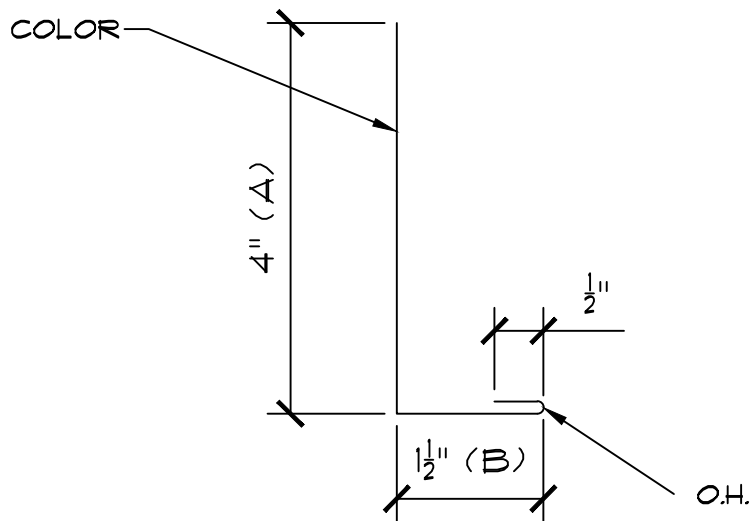




GAUGE: _____	STRETCH-OUT: <u>5"</u>	PART #: <u>FT053</u>
COLOR: _____	# OF BREAKS: <u>3</u>	PART NAME: _____
LENGTH: <u>10'-0"</u>	QUANTITY: _____	<u>FASCIA/SOFFIT TRIM</u>

CUSTOMER: _____ JOB NAME: _____ AEPS ORDER #: _____	DRAWN BY: _____ DATE: _____
	ACCEPTED BY: _____ DATE: _____

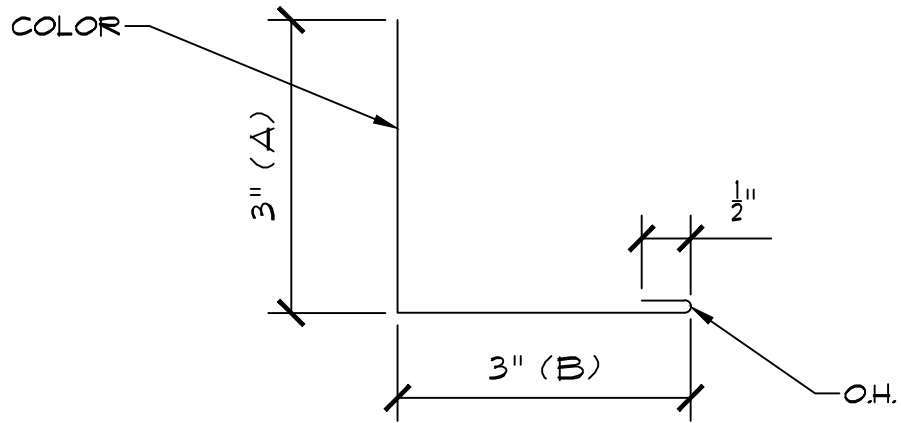




GAUGE: _____	STRETCH-OUT: <u>6"</u>	PART #: <u>FT054</u>
COLOR: _____	# OF BREAKS: <u>3</u>	PART NAME:
LENGTH: <u>10'-0"</u>	QUANTITY: _____	<u>FASCIA/SOFFIT TRIM</u>

CUSTOMER: _____ JOB NAME: _____ AEPS ORDER #: _____	DRAWN BY: _____ DATE: _____
	ACCEPTED BY: _____ DATE: _____





GAUGE: _____	STRETCH-OUT: <u>6 1/2"</u>
COLOR: _____	# OF BREAKS: <u>3</u>
LENGTH: <u>10'-0"</u>	QUANTITY: _____

PART #: FT055

PART NAME: FASCIA/SOFFIT TRIM

CUSTOMER: _____

JOB NAME: _____

AEPS ORDER #: _____

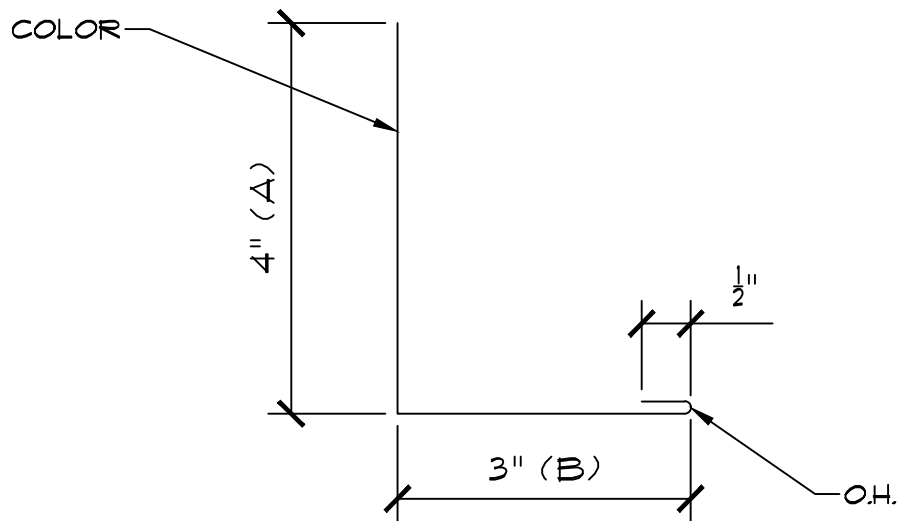
DRAWN BY: _____

DATE: _____

ACCEPTED BY: _____

DATE: _____

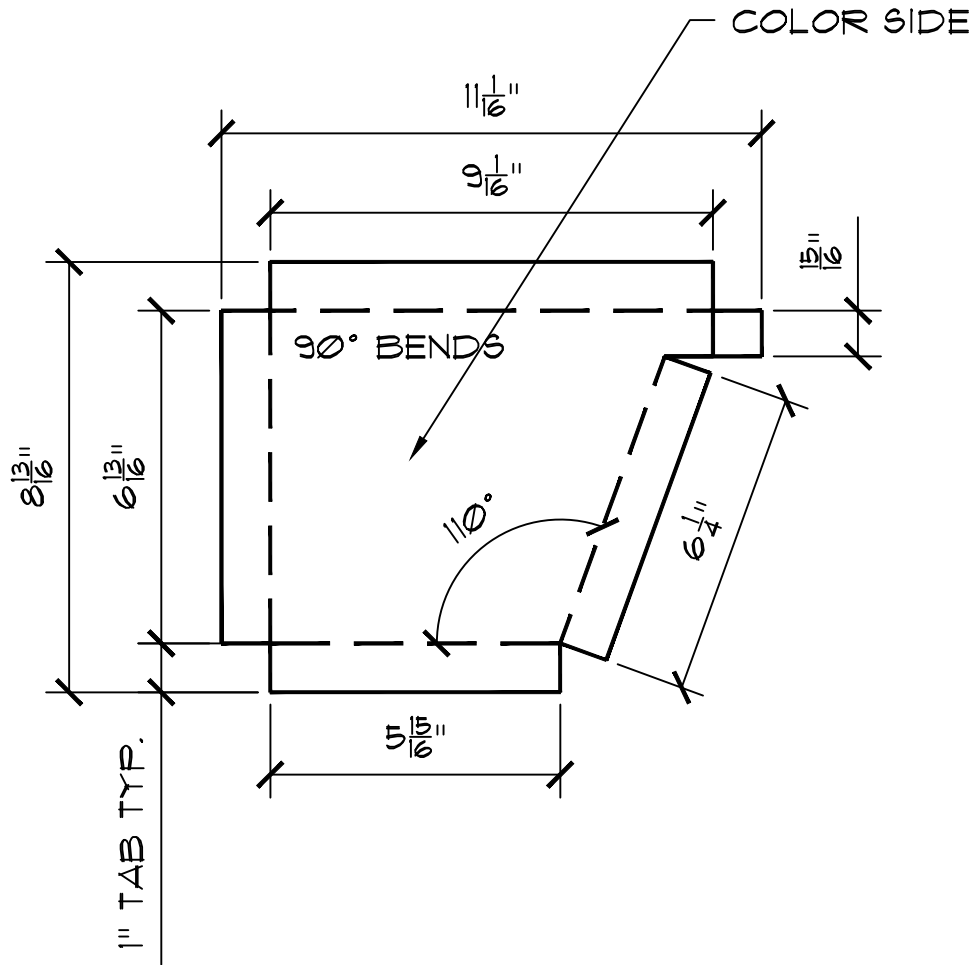




GAUGE: _____	STRETCH-OUT: <u>7 1/2"</u>	PART #: <u>FT056</u>
COLOR: _____	# OF BREAKS: <u>3</u>	PART NAME: _____
LENGTH: <u>10'-0"</u>	QUANTITY: _____	<u>FASCIA/SOFFIT TRIM</u>

CUSTOMER: _____ JOB NAME: _____ AEPS ORDER #: _____	DRAWN BY: _____ DATE: _____
	ACCEPTED BY: _____ DATE: _____





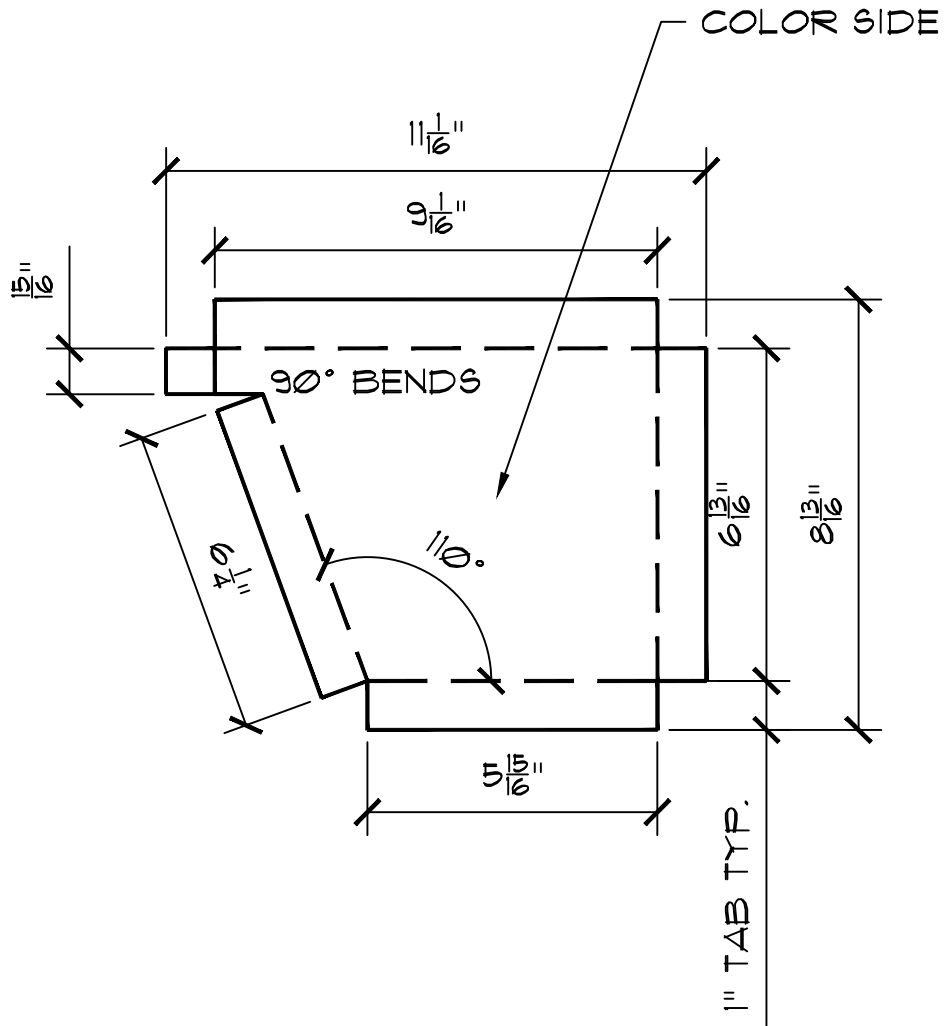
GAUGE: _____ STRETCH-OUT: 11 1/16"
 COLOR: _____ # OF BREAKS: 5
 LENGTH: 8 13/16" QUANTITY: _____

PART #: GCO57
 PART NAME:
LARGE GUTTER END CAP (L)

CUSTOMER: _____
 JOB NAME: _____
 AEPS ORDER #: _____

DRAWN BY: _____
 DATE: _____
 ACCEPTED BY: _____
 DATE: _____





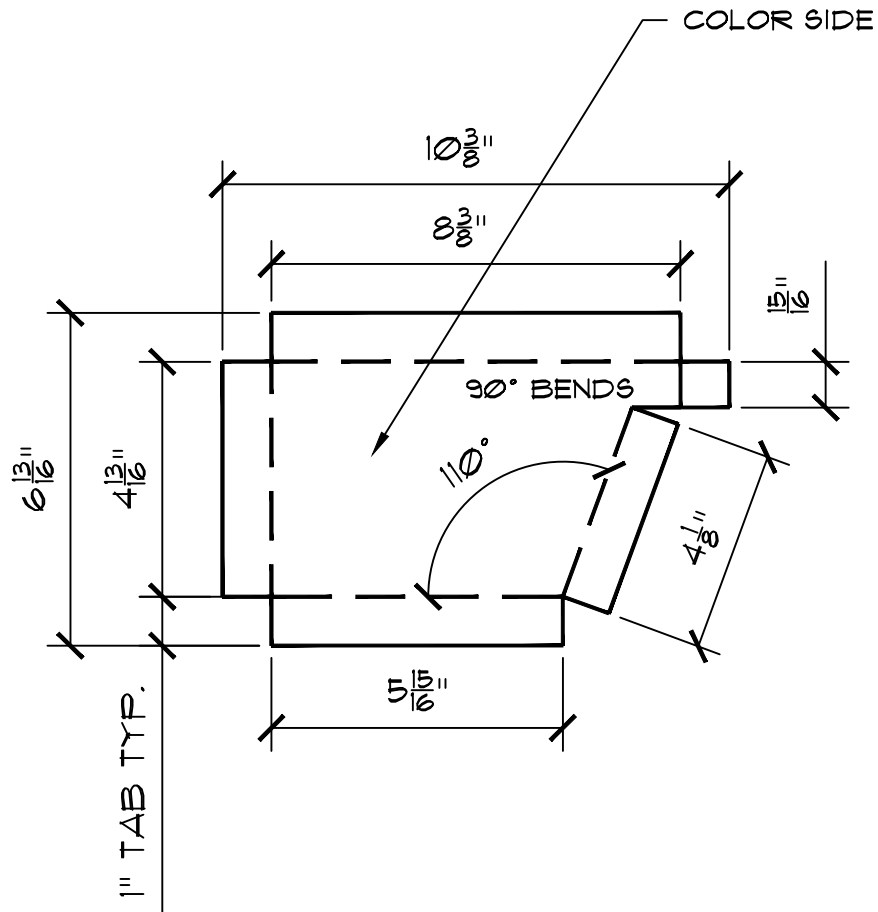
GAUGE: _____ STRETCH-OUT: 11 1/16"
 COLOR: _____ # OF BREAKS: 5
 LENGTH: 8 13/16" QUANTITY: _____

PART #: GC058
 PART NAME:
LARGE GUTTER END CAP (R)

CUSTOMER: _____
 JOB NAME: _____
 AEPS ORDER #: _____

DRAWN BY: _____
 DATE: _____
 ACCEPTED BY: _____
 DATE: _____





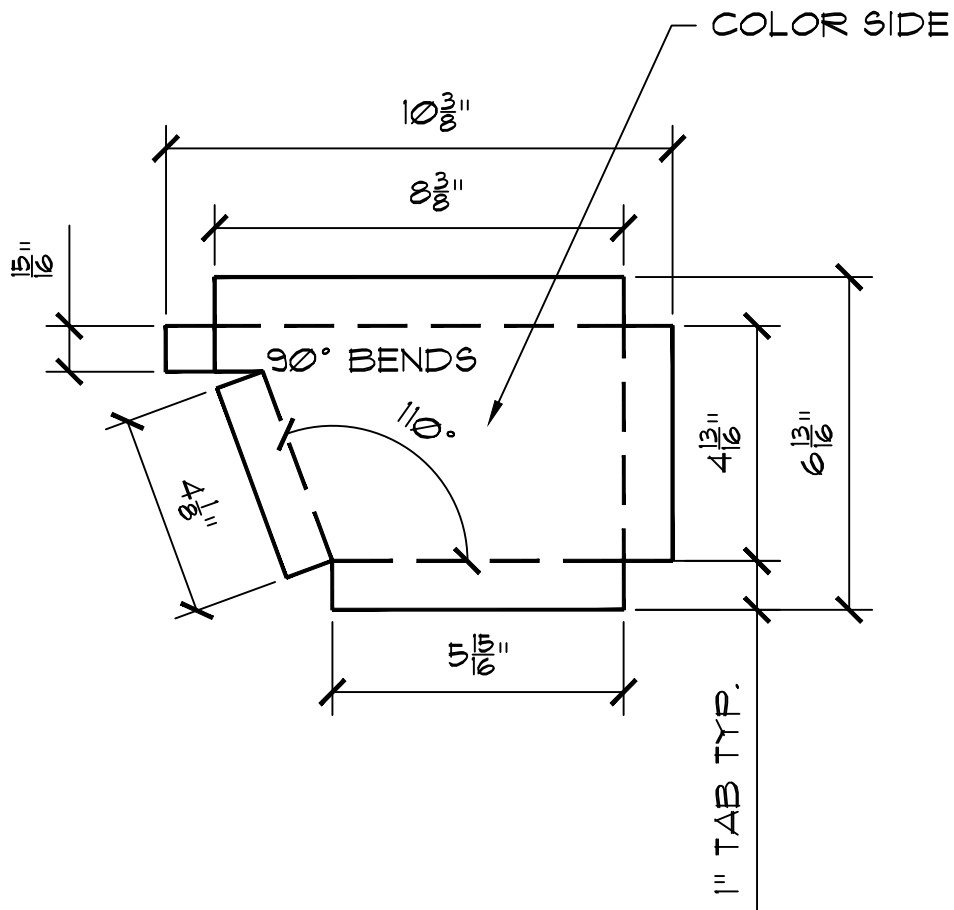
GAUGE: _____ STRETCH-OUT: 10 3/8"
 COLOR: _____ # OF BREAKS: 5
 LENGTH: 6 13/16" QUANTITY: _____

PART #: GC059
 PART NAME:
SMALL GUTTER END CAP (L)

CUSTOMER: _____
 JOB NAME: _____
 AEPS ORDER #: _____

DRAWN BY: _____
 DATE: _____
 ACCEPTED BY: _____
 DATE: _____





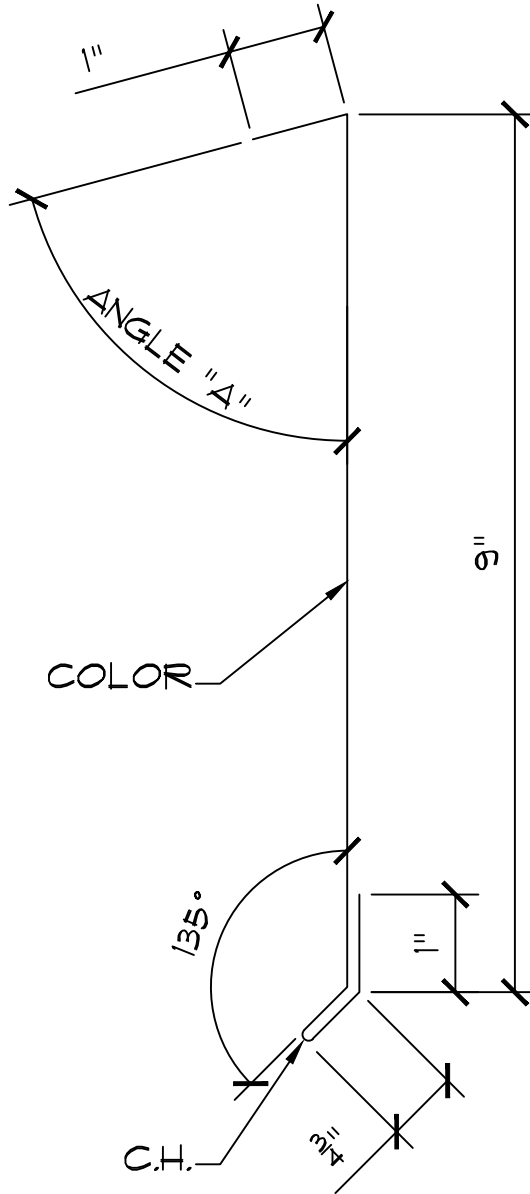
GAUGE: _____ STRETCH-OUT: 10 3/8"
 COLOR: _____ # OF BREAKS: 5
 LENGTH: 6 13/16" QUANTITY: _____

PART #: GCO60
 PART NAME:
SMALL GUTTER END CAP (R)

CUSTOMER: _____
 JOB NAME: _____
 AEPS ORDER #: _____

DRAWN BY: _____
 DATE: _____
 ACCEPTED BY: _____
 DATE: _____





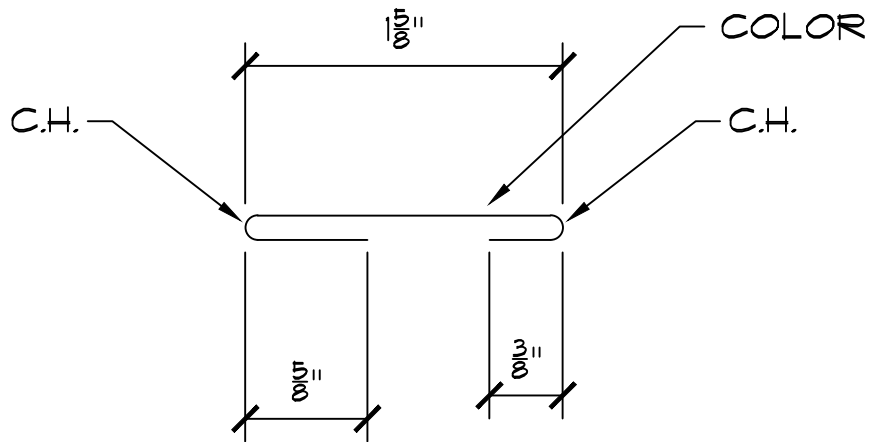
GAUGE: _____	STRETCH-OUT: <u>12 1/2"</u>
COLOR: _____	# OF BREAKS: <u>5</u>
LENGTH: <u>10'-0"</u>	QUANTITY: _____

PART #: GFO61
 PART NAME:
ROOFOVER GUTTER FLASHING

CUSTOMER: _____
 JOB NAME: _____
 AEPS ORDER #: _____

DRAWN BY: _____
 DATE: _____
 ACCEPTED BY: _____
 DATE: _____

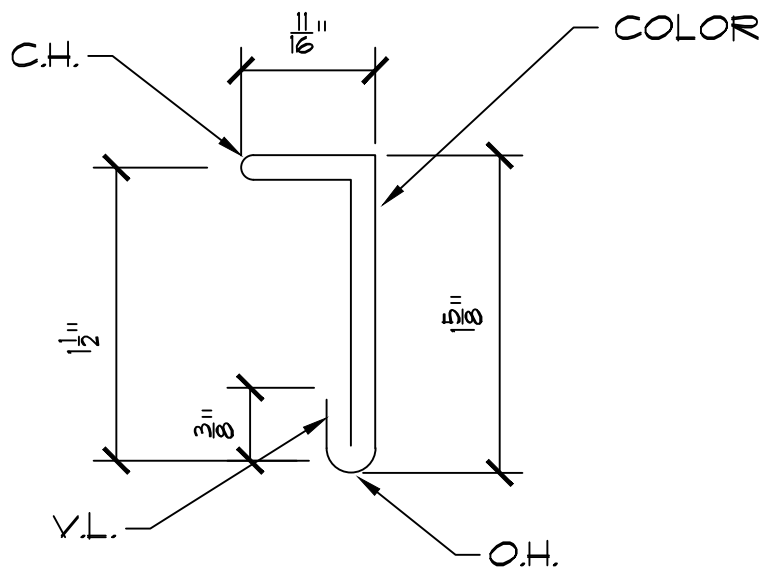




GAUGE: _____	STRETCH-OUT: <u>2 5/8"</u>	PART #: <u>G3063</u>
COLOR: _____	# OF BREAKS: <u>4</u>	PART NAME:
LENGTH: <u>10'-0"</u>	QUANTITY: _____	<u>GUTTER STRAP</u>

CUSTOMER: _____ JOB NAME: _____ AEPS ORDER #: _____	DRAWN BY: _____ DATE: _____
	ACCEPTED BY: _____ DATE: _____

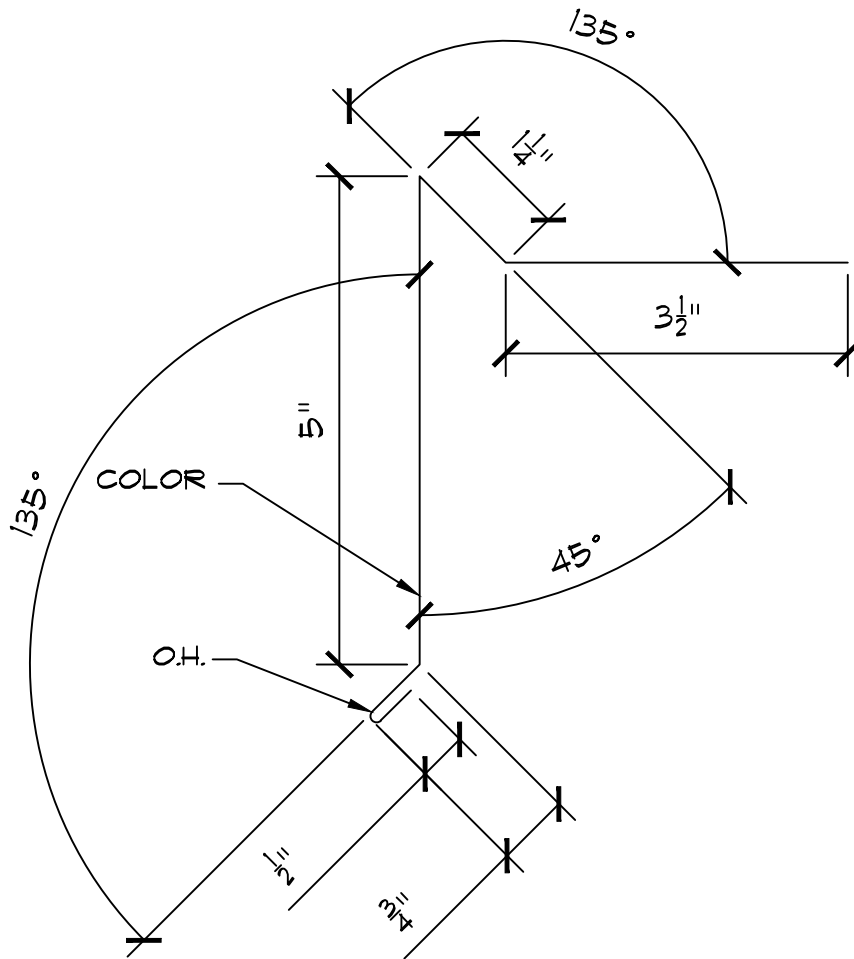




GAUGE: _____	STRETCH-OUT: <u>4 7/8"</u>	PART #: <u>G3064</u>
COLOR: _____	# OF BREAKS: <u>6</u>	PART NAME:
LENGTH: <u>10'-0"</u>	QUANTITY: _____	<u>SPAN-LOK GUTTER STRAP</u>

CUSTOMER: _____ JOB NAME: _____ AEPS ORDER #: _____	DRAWN BY: _____ DATE: _____
	ACCEPTED BY: _____ DATE: _____





GAUGE: _____	STRETCH-OUT: <u>11"</u>
COLOR: _____	# OF BREAKS: <u>5</u>
LENGTH: <u>10'-0"</u>	QUANTITY: _____

PART #: GT065

PART NAME: GRAVEL STOP

CUSTOMER: _____

JOB NAME: _____

AEPS ORDER #: _____

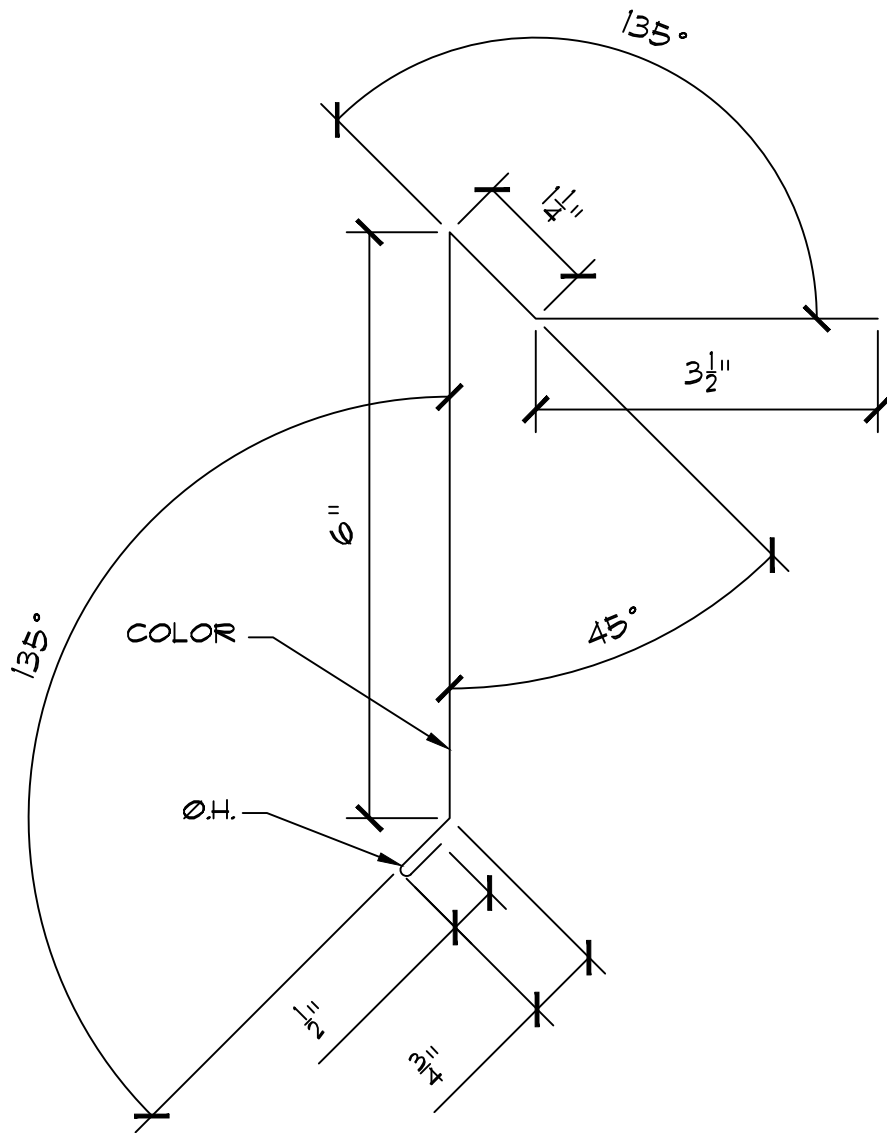
DRAWN BY: _____

DATE: _____

ACCEPTED BY: _____

DATE: _____

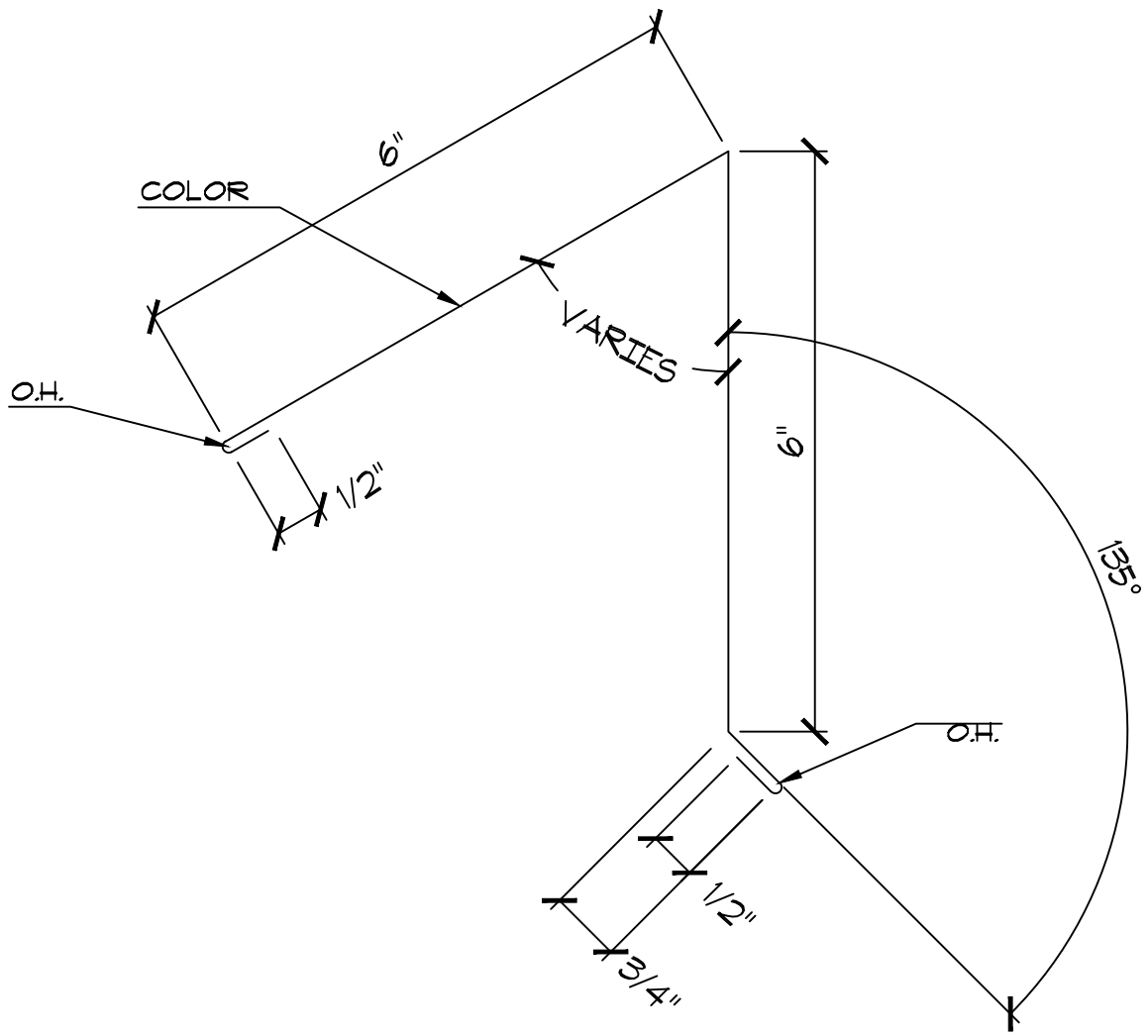




GAUGE: _____	STRETCH-OUT: <u>12"</u>	PART #: <u>GT067</u>
COLOR: _____	# OF BREAKS: <u>5</u>	PART NAME: _____
LENGTH: <u>10'-0"</u>	QUANTITY: _____	<u>GRAVEL STOP</u>

CUSTOMER: _____	DRAWN BY: _____
JOB NAME: _____	DATE: _____
AEPS ORDER #: _____	ACCEPTED BY: _____
	DATE: _____





GAUGE: _____	STRETCH-OUT: <u>13 3/4"</u>
COLOR: _____	# OF BREAKS: <u>6</u>
LENGTH: <u>10'-0"</u>	QUANTITY: _____

PART #: HE069

PART NAME: HIGH EAVE TRIM

CUSTOMER: _____

JOB NAME: _____

AEPS ORDER #: _____

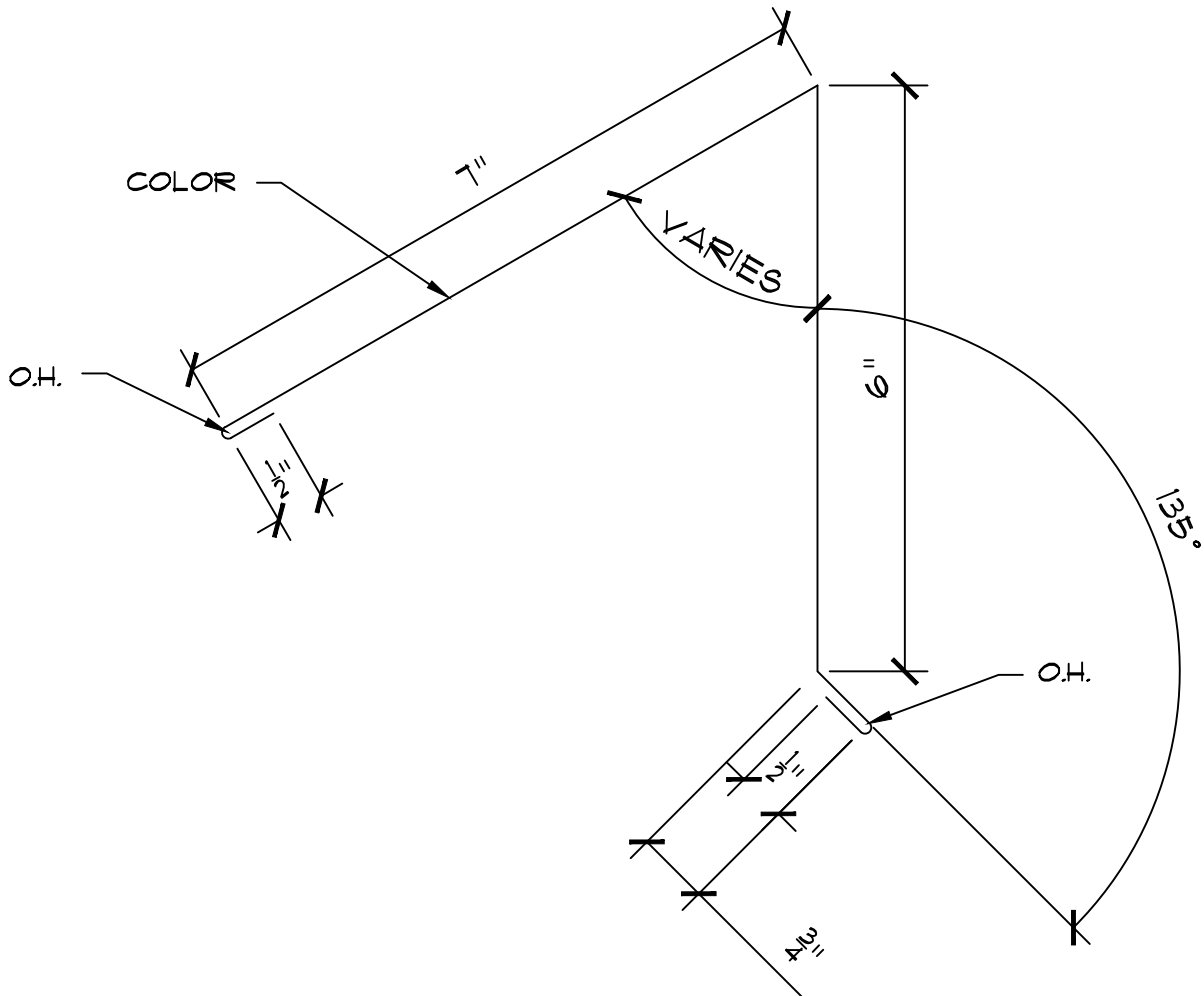
DRAWN BY: _____

DATE: _____

ACCEPTED BY: _____

DATE: _____

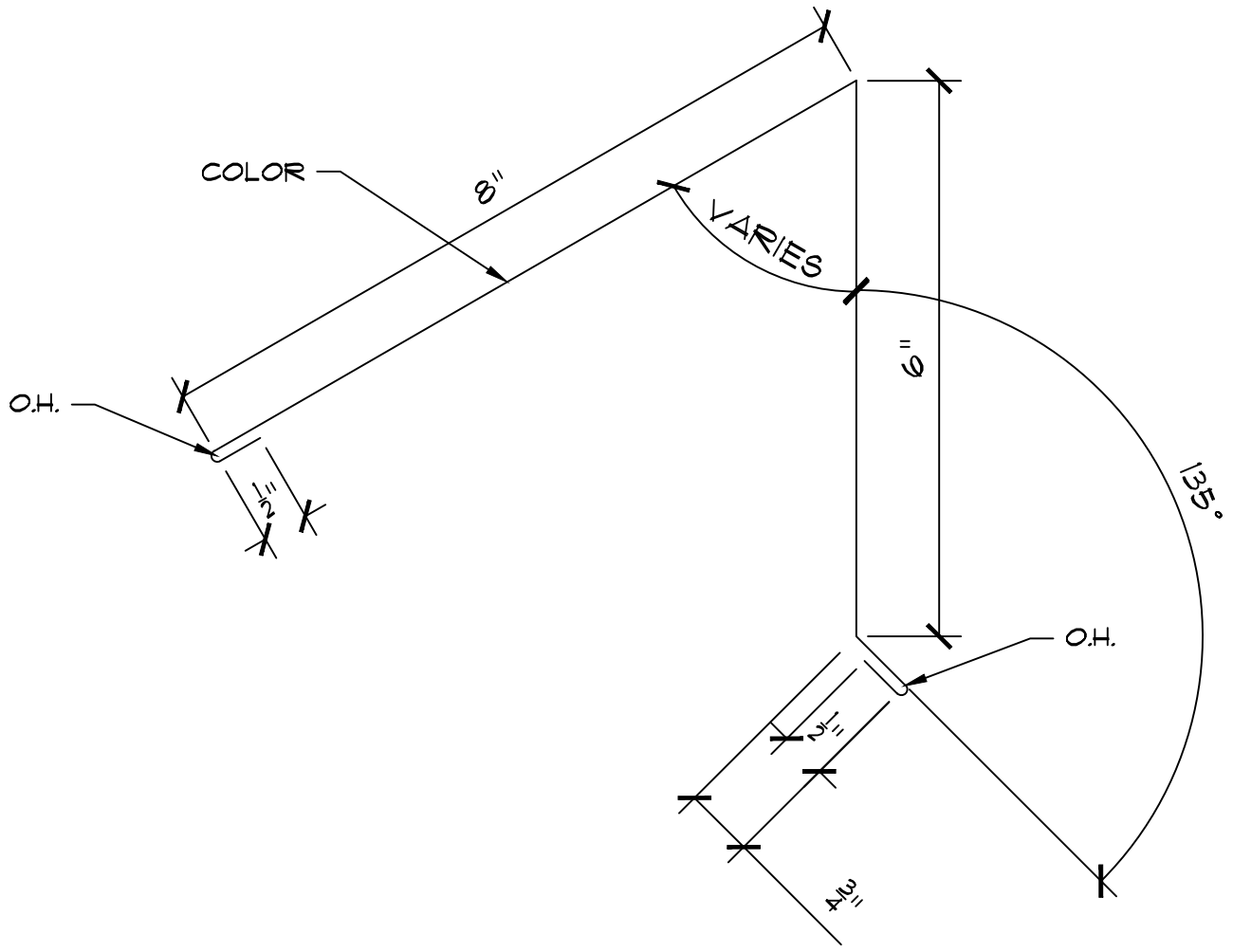




GAUGE: _____	STRETCH-OUT: <u>14 3/4"</u>	PART #: <u>HE071</u>
COLOR: _____	# OF BREAKS: <u>6</u>	PART NAME: _____
LENGTH: <u>10'-0"</u>	QUANTITY: _____	<u>HIGH EAVE TRIM</u>

CUSTOMER: _____ JOB NAME: _____ AEPS ORDER #: _____	DRAWN BY: _____ DATE: _____
	ACCEPTED BY: _____ DATE: _____





GAUGE: _____	STRETCH-OUT: <u>15 3/4"</u>
COLOR: _____	# OF BREAKS: <u>6</u>
LENGTH: <u>10'-0"</u>	QUANTITY: _____

PART #: HE013

PART NAME: HIGH EAVE TRIM

CUSTOMER: _____

JOB NAME: _____

AEPS ORDER #: _____

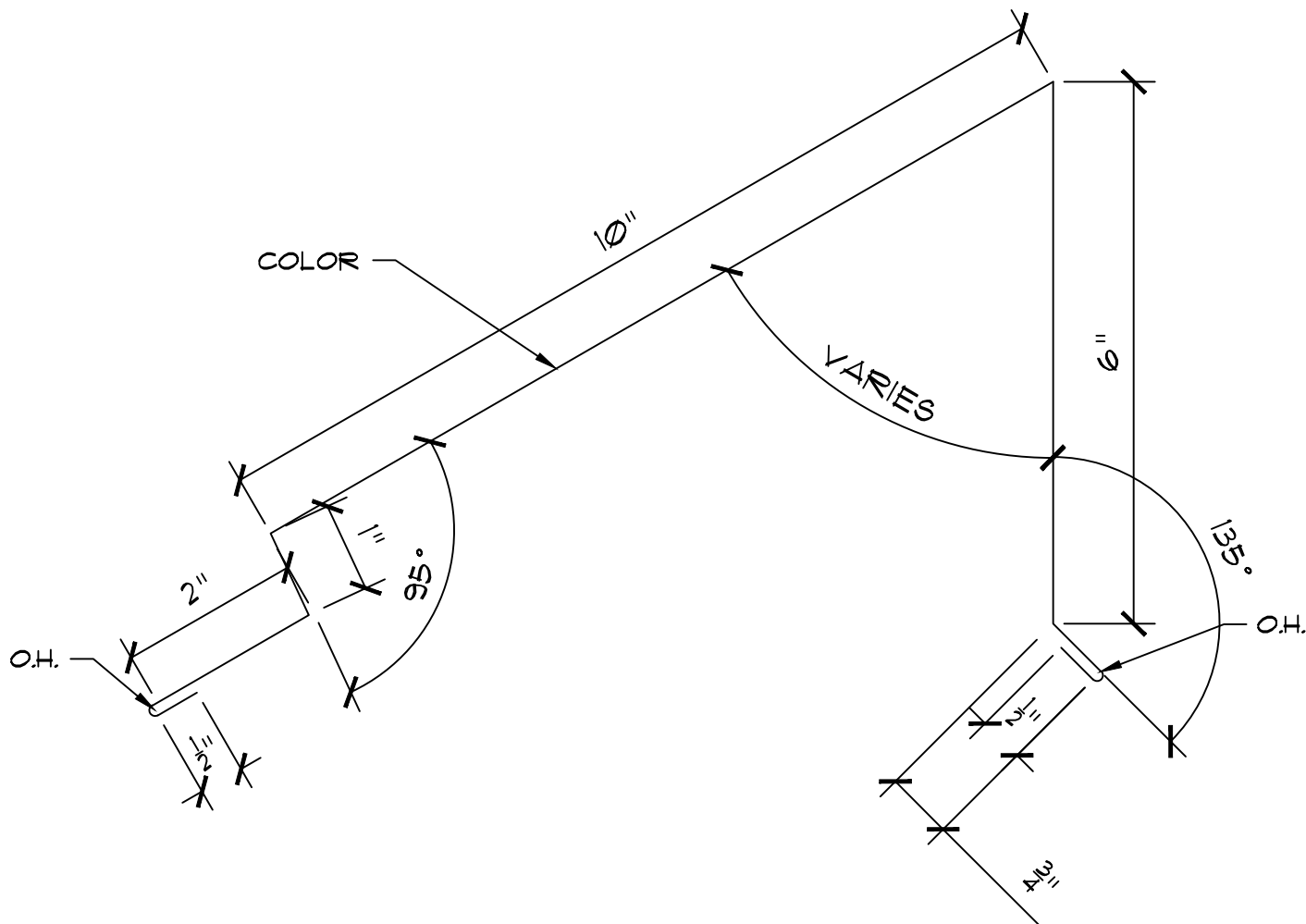
DRAWN BY: _____

DATE: _____

ACCEPTED BY: _____

DATE: _____





GAUGE: _____	STRETCH-OUT: <u>20 3/4"</u>
COLOR: _____	# OF BREAKS: <u>8</u>
LENGTH: <u>10'-0"</u>	QUANTITY: _____

PART #: HE075

PART NAME: VENTED HIGH EAVE TRIM

CUSTOMER: _____

JOB NAME: _____

AEPS ORDER #: _____

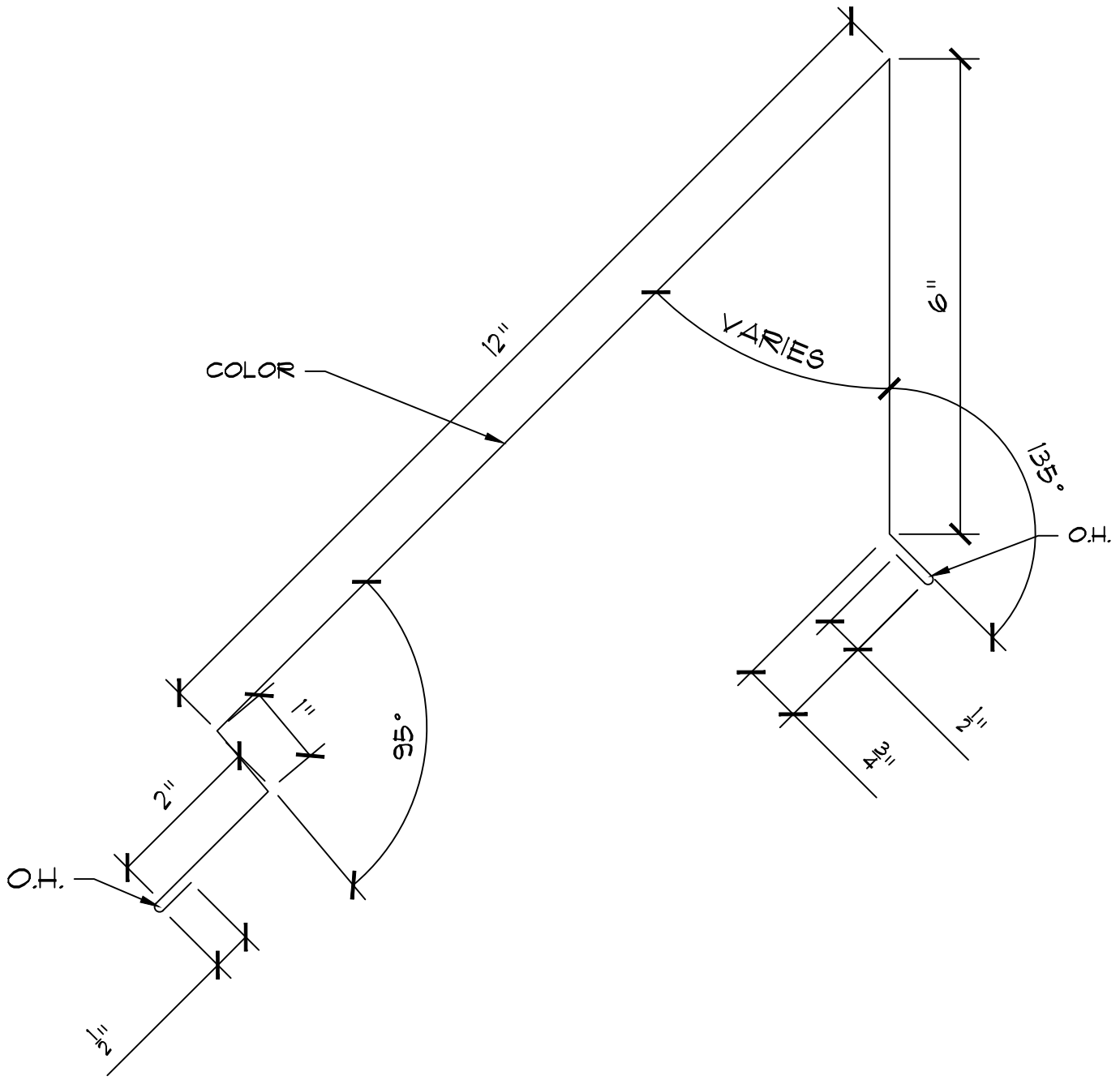
DRAWN BY: _____

DATE: _____

ACCEPTED BY: _____

DATE: _____





GAUGE: _____	STRETCH-OUT: <u>22 3/4"</u>
COLOR: _____	# OF BREAKS: <u>8</u>
LENGTH: <u>10'-0"</u>	QUANTITY: _____

PART #: HE011

PART NAME: VENTED HIGH EAVE TRIM

CUSTOMER: _____

JOB NAME: _____

AEPS ORDER #: _____

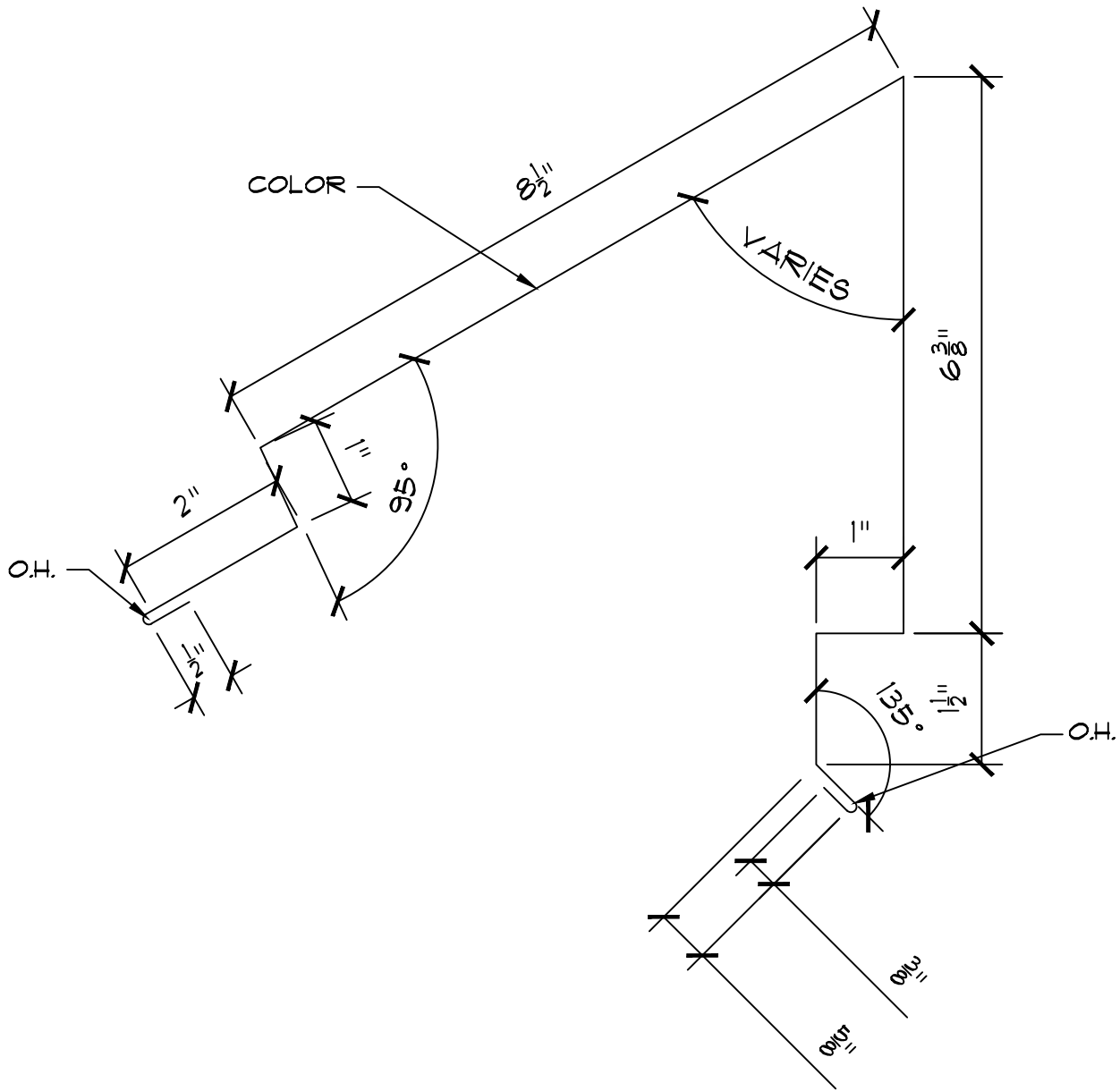
DRAWN BY: _____

DATE: _____

ACCEPTED BY: _____

DATE: _____

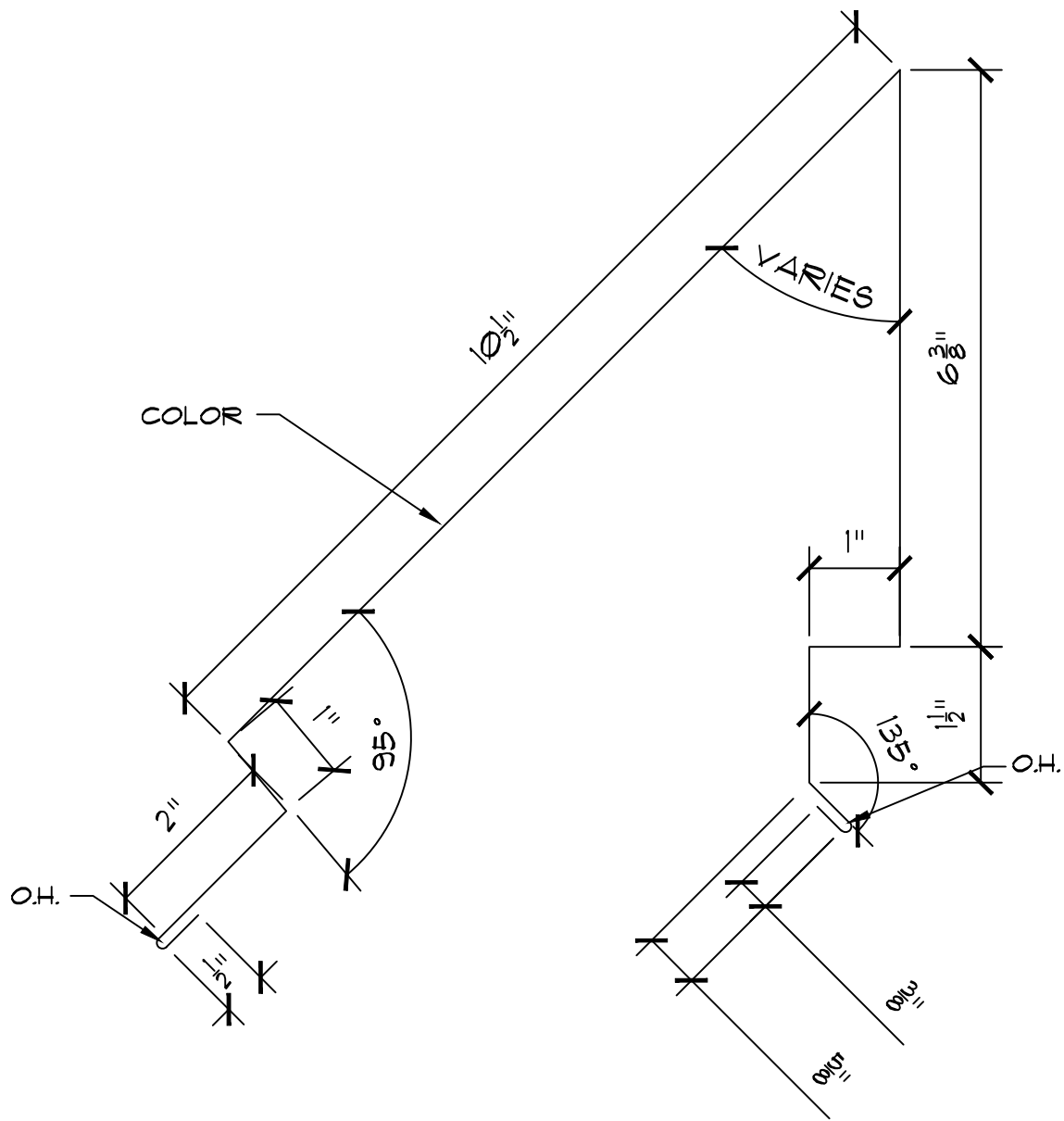




GAUGE: _____	STRETCH-OUT: <u>21 7/8"</u>	PART #: <u>HE079</u>
COLOR: _____	# OF BREAKS: <u>10</u>	PART NAME:
LENGTH: <u>10'-0"</u>	QUANTITY: _____	<u>NON-VENTED HIGH EAVE TRIM</u>

CUSTOMER: _____ JOB NAME: _____ AEPS ORDER #: _____	DRAWN BY: _____ DATE: _____
	ACCEPTED BY: _____ DATE: _____

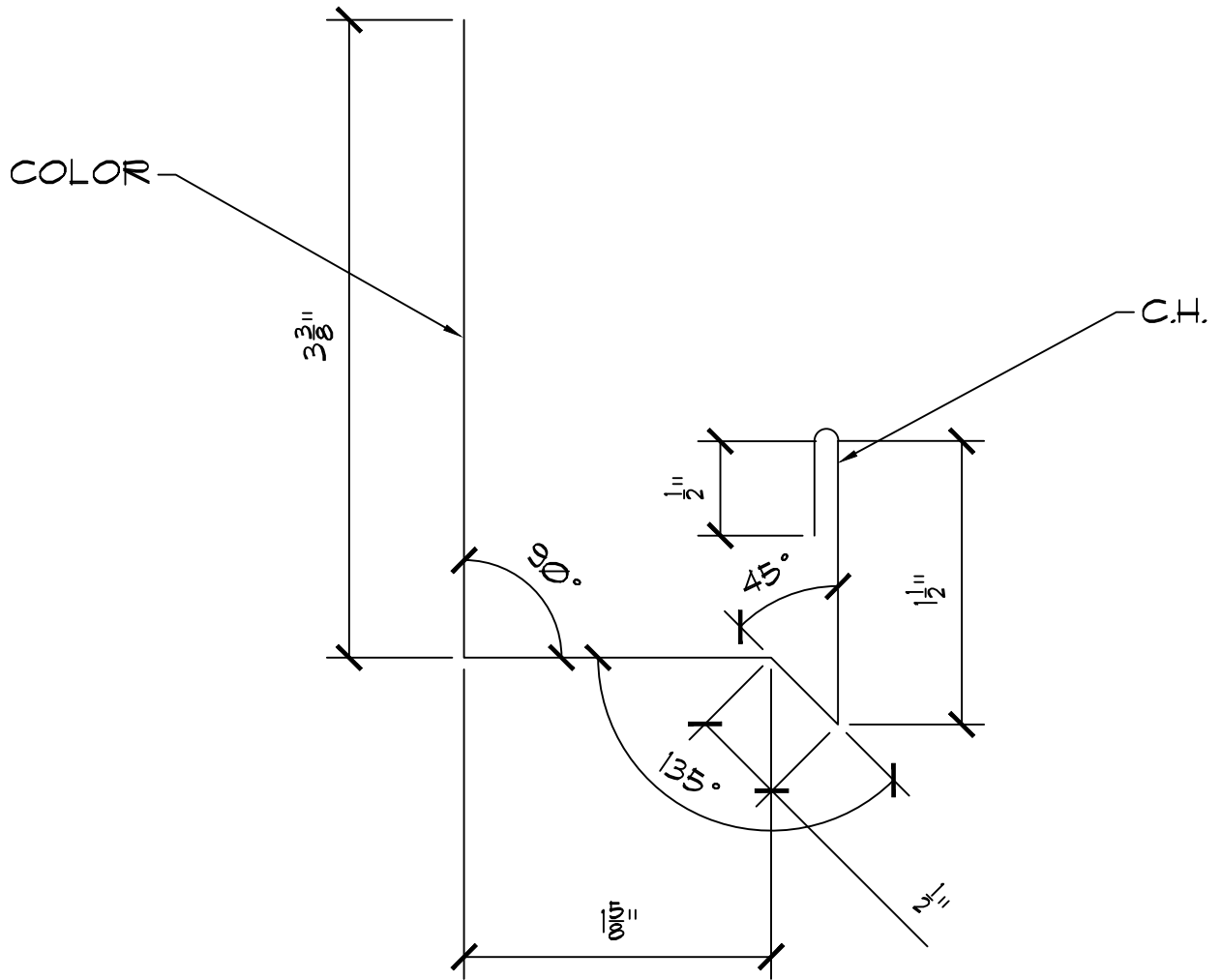




GAUGE: _____	STRETCH-OUT: <u>23 7/8"</u>	PART #: <u>HE081</u>
COLOR: _____	# OF BREAKS: <u>10</u>	PART NAME:
LENGTH: <u>10'-0"</u>	QUANTITY: _____	<u>NON-VENTED HIGH EAVE TRIM</u>

CUSTOMER: _____	DRAWN BY: _____
JOB NAME: _____	DATE: _____
AEPS ORDER #: _____	ACCEPTED BY: _____
	DATE: _____

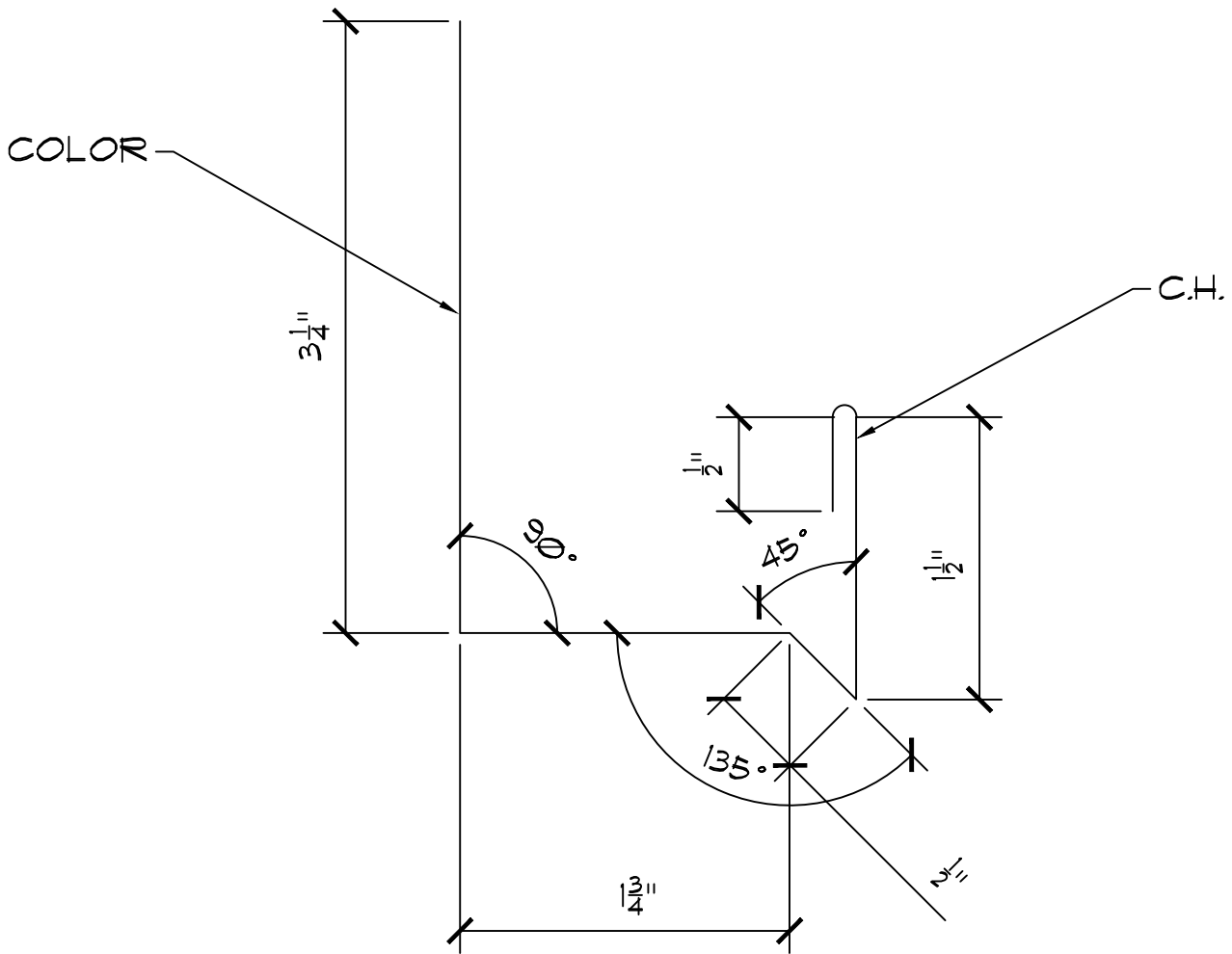




GAUGE: _____	STRETCH-OUT: <u> 1 1/2" </u>	PART #: <u> HT085 </u>
COLOR: _____	# OF BREAKS: <u> 5 </u>	PART NAME: _____
LENGTH: <u> 10'-0" </u>	QUANTITY: _____	HEADER TRIM _____

CUSTOMER: _____	DRAWN BY: _____
JOB NAME: _____	DATE: _____
AEPS ORDER #: _____	ACCEPTED BY: _____
	DATE: _____

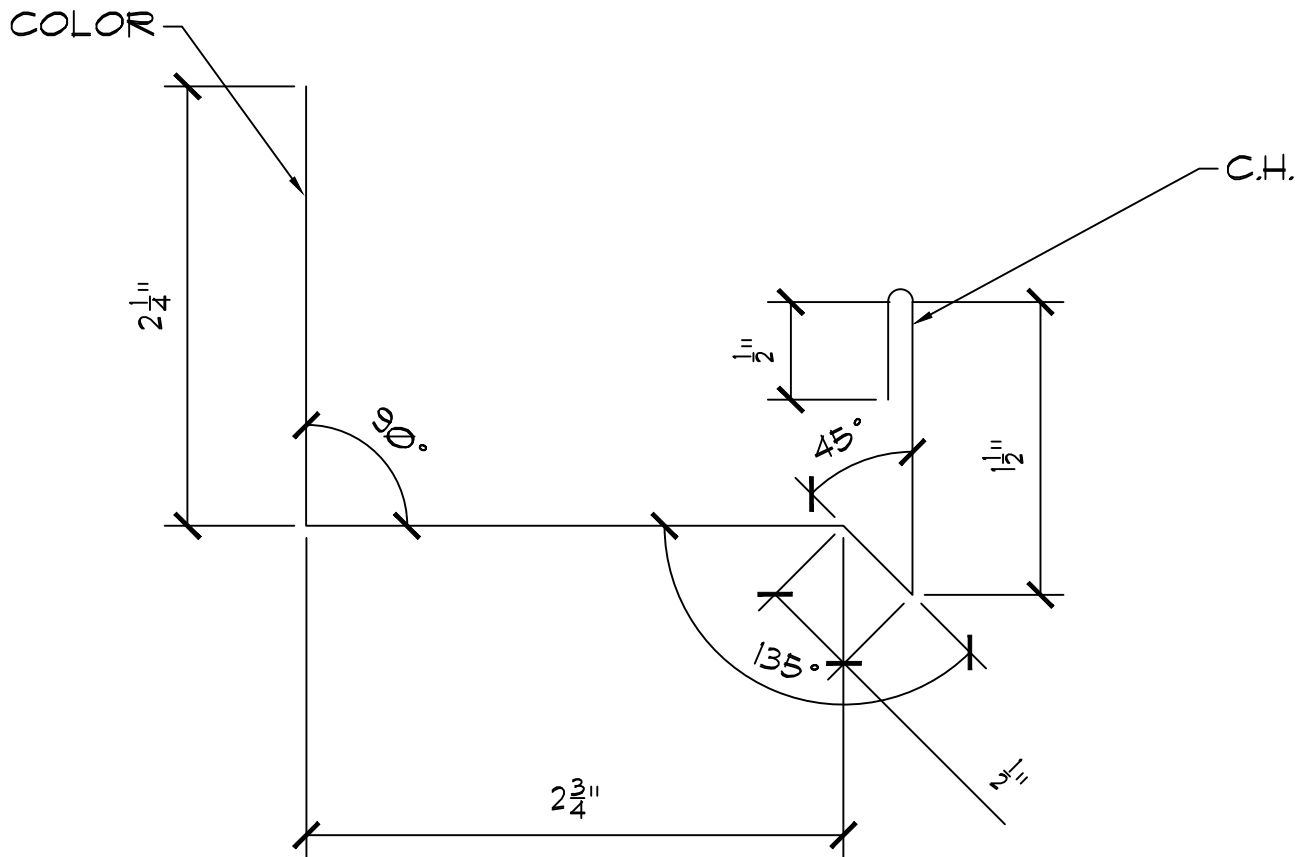




GAUGE: _____	STRETCH-OUT: <u>7 1/2"</u>	PART #: <u>HT087</u>
COLOR: _____	# OF BREAKS: <u>5</u>	PART NAME: _____
LENGTH: <u>10'-0"</u>	QUANTITY: _____	HEADER TRIM

CUSTOMER: _____	DRAWN BY: _____
JOB NAME: _____	DATE: _____
AEPS ORDER #: _____	ACCEPTED BY: _____
	DATE: _____

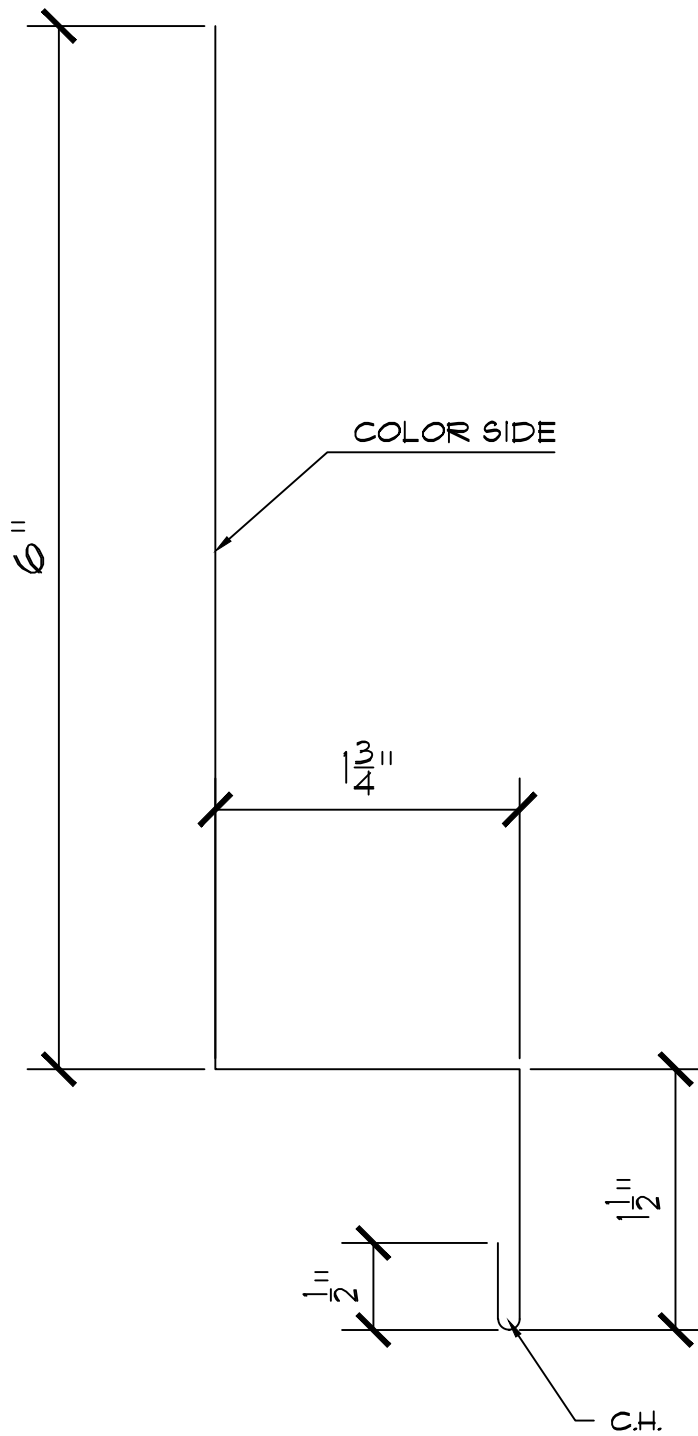




GAUGE: _____	STRETCH-OUT: <u> 7 1/2" </u>	PART #: <u> HT089 </u>
COLOR: _____	# OF BREAKS: <u> 5 </u>	PART NAME: _____
LENGTH: <u> 10'-0" </u>	QUANTITY: _____	HEADER TRIM _____

CUSTOMER: _____	DRAWN BY: _____
JOB NAME: _____	DATE: _____
AEPS ORDER #: _____	ACCEPTED BY: _____
	DATE: _____





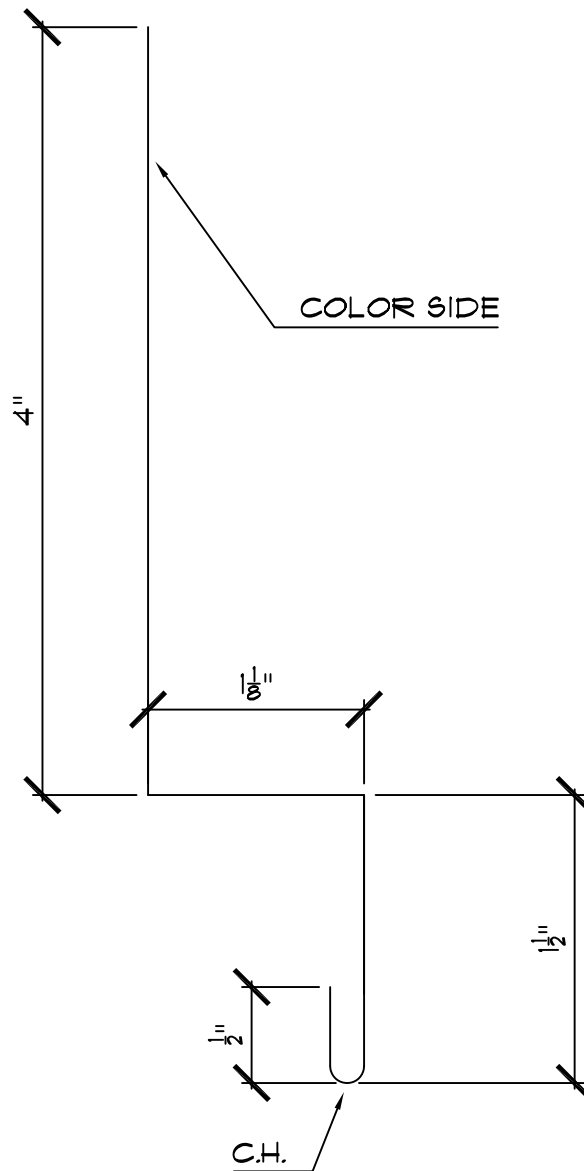
GAUGE: _____ STRETCH-OUT: 9 3/4"
 COLOR: _____ # OF BREAKS: 4
 LENGTH: 10'-0" QUANTITY: _____

PART #: HT090
 PART NAME:
END SPLICE/SILL

CUSTOMER: _____
 JOB NAME: _____
 AEPS ORDER #: _____

DRAWN BY: _____
 DATE: _____
 ACCEPTED BY: _____
 DATE: _____





GAUGE: _____ STRETCH-OUT: 7 1/8"

COLOR: _____ # OF BREAKS: 4

LENGTH: 10'-0" QUANTITY: _____

PART #: HT092

PART NAME: _____

HEADER TRIM

CUSTOMER: _____

JOB NAME: _____

AEPS ORDER #: _____

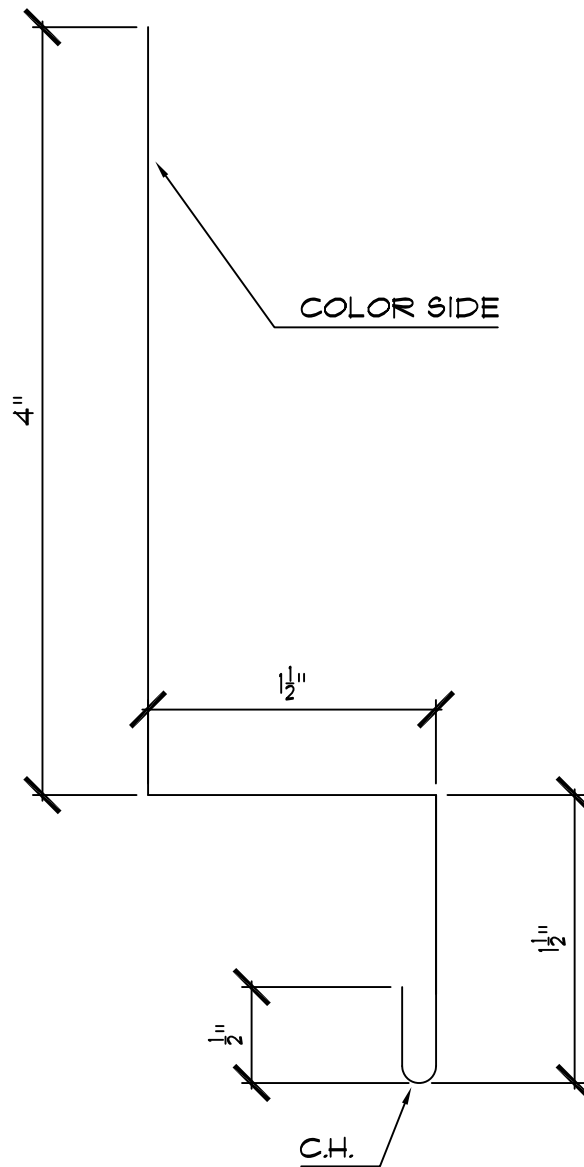
DRAWN BY: BMG

DATE: 8/01/16

ACCEPTED BY: _____

DATE: _____





GAUGE: _____ STRETCH-OUT: 7 1/2"

COLOR: _____ # OF BREAKS: 4

LENGTH: 10'-0" QUANTITY: _____

PART #: HT096

PART NAME: _____

HEADER TRIM

CUSTOMER: _____

JOB NAME: _____

AEPS ORDER #: _____

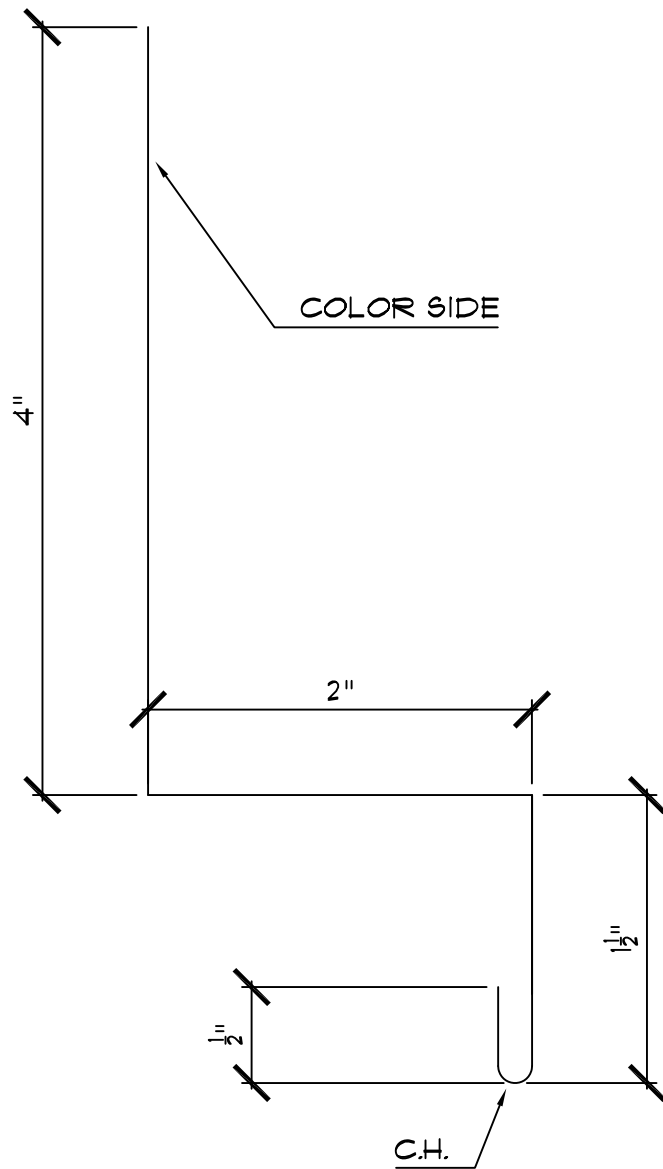
DRAWN BY: BMG

DATE: 8/01/16

ACCEPTED BY: _____

DATE: _____





GAUGE: _____ STRETCH-OUT: 8"

COLOR: _____ # OF BREAKS: 4

LENGTH: 10'-0" QUANTITY: _____

PART #: HT09T

PART NAME:

HEADER TRIM

CUSTOMER: _____

JOB NAME: _____

AEPS ORDER #: _____

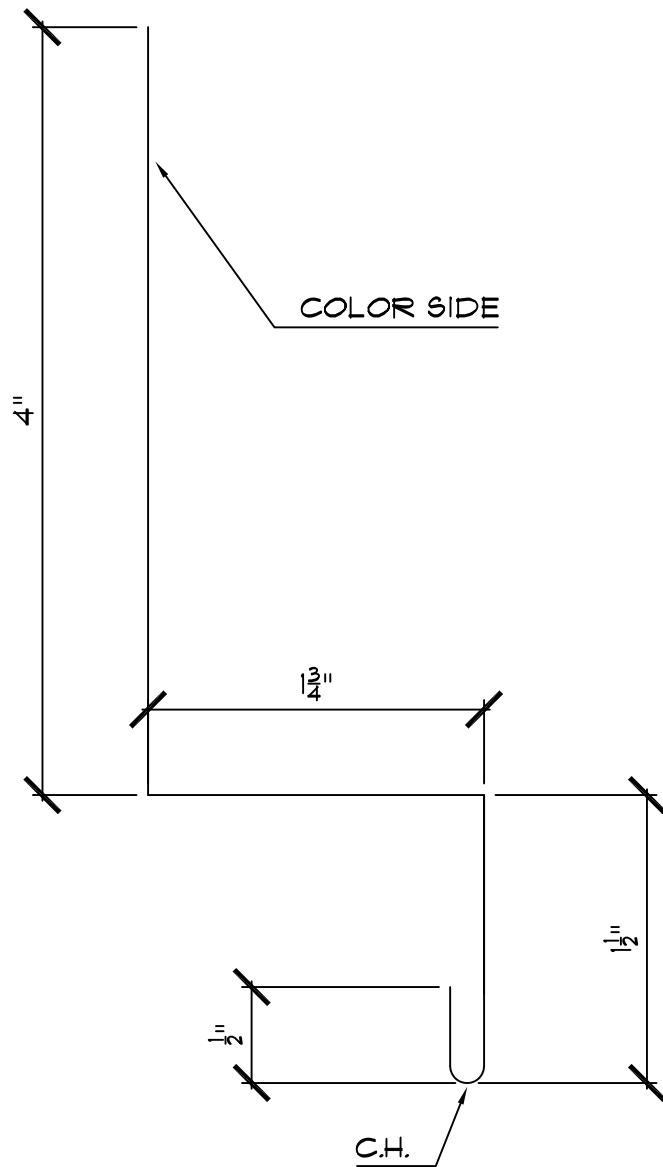
DRAWN BY: BMG

DATE: 8/01/16

ACCEPTED BY: _____

DATE: _____





GAUGE: _____ STRETCH-OUT: 7 3/4"

COLOR: _____ # OF BREAKS: 4

LENGTH: 10'-0" QUANTITY: _____

PART #: HT098

PART NAME: _____

HEADER TRIM

CUSTOMER: _____

JOB NAME: _____

AEPS ORDER #: _____

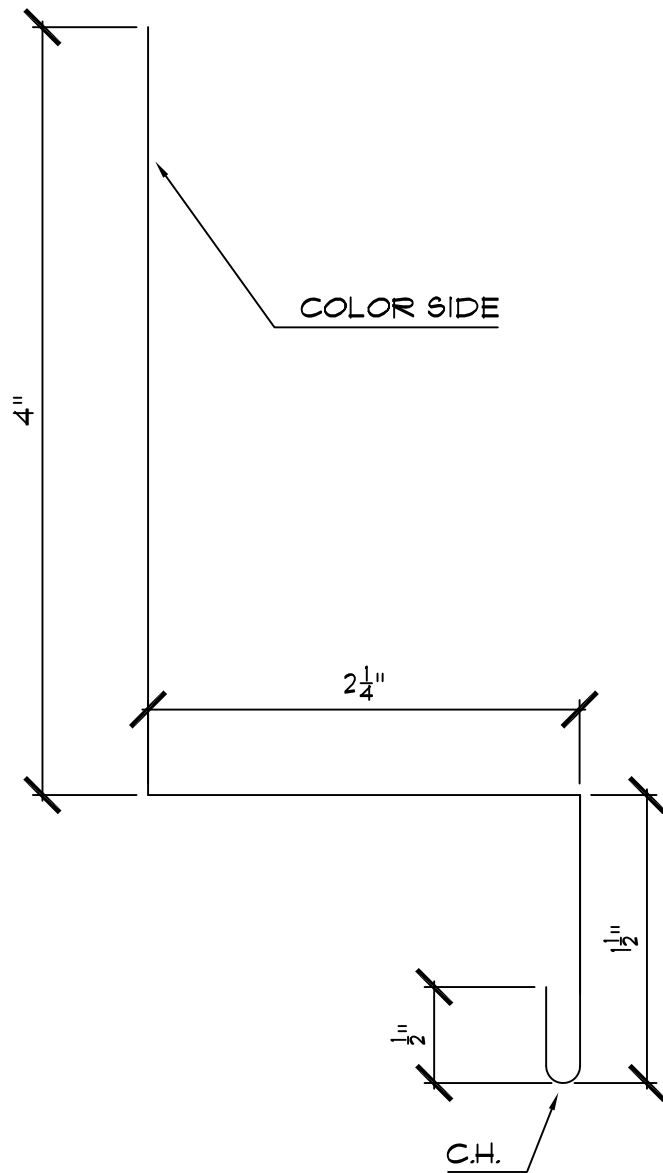
DRAWN BY: BMG

DATE: 8/01/16

ACCEPTED BY: _____

DATE: _____





GAUGE: _____ STRETCH-OUT: 8 1/4"

COLOR: _____ # OF BREAKS: 4

LENGTH: 10'-0" QUANTITY: _____

PART #: HT099

PART NAME: _____

HEADER TRIM

CUSTOMER: _____

JOB NAME: _____

AEPS ORDER #: _____

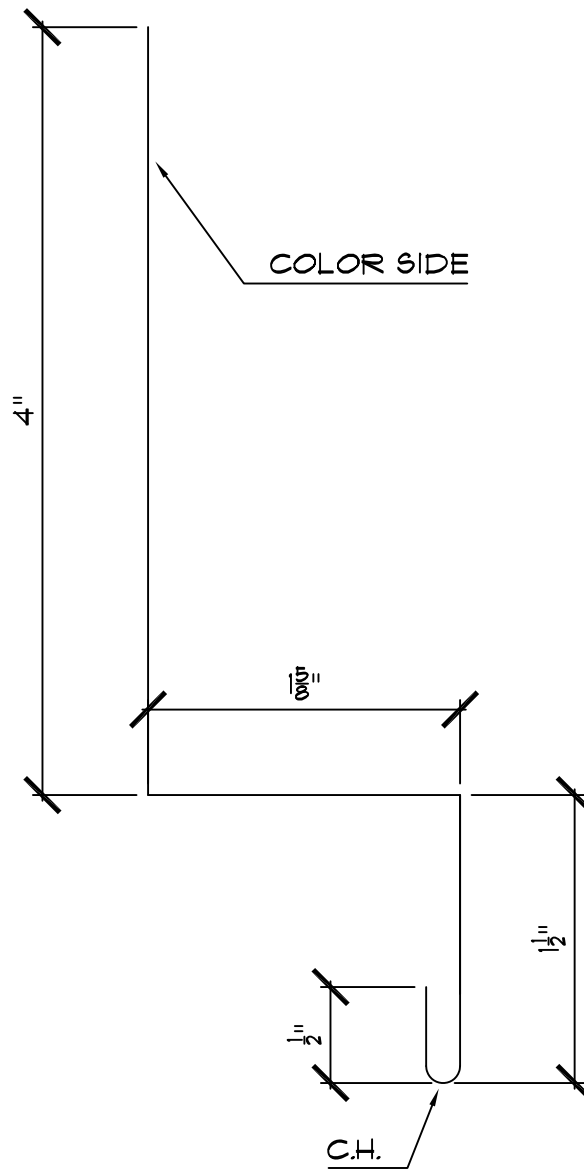
DRAWN BY: BMG

DATE: 8/01/16

ACCEPTED BY: _____

DATE: _____





GAUGE: _____ STRETCH-OUT: 7 5/8"

COLOR: _____ # OF BREAKS: 4

LENGTH: 10'-0" QUANTITY: _____

PART #: HT103

PART NAME: _____

HEADER TRIM

CUSTOMER: _____

JOB NAME: _____

AEPS ORDER #: _____

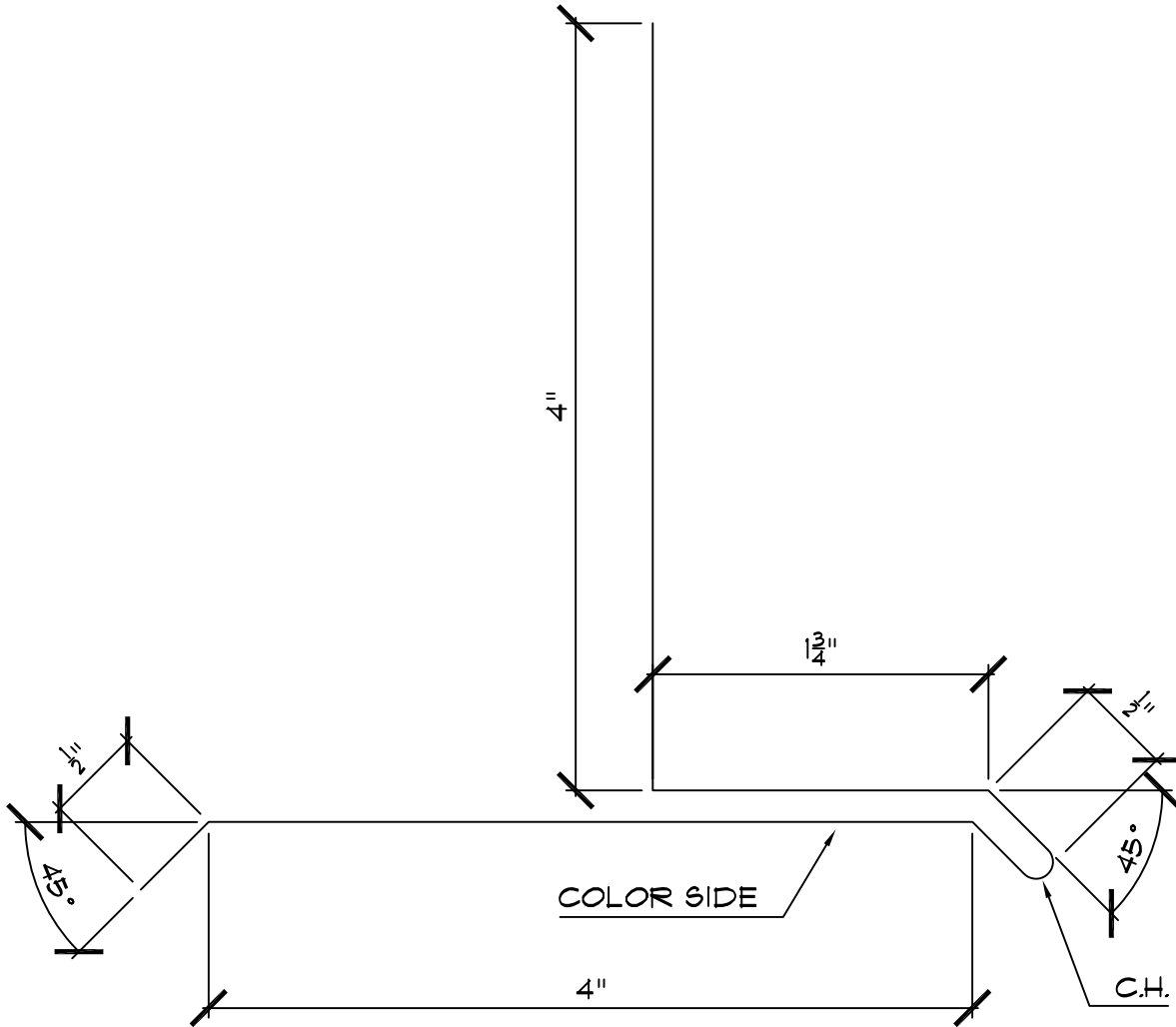
DRAWN BY: BMG

DATE: 8/01/16

ACCEPTED BY: _____

DATE: _____





GAUGE: _____ STRETCH-OUT: 11 1/4"

COLOR: _____ # OF BREAKS: 6

LENGTH: 10'-0" QUANTITY: _____

PART #: HT091

PART NAME: _____

HEADER TRIM

CUSTOMER: _____

JOB NAME: _____

AEPS ORDER #: _____

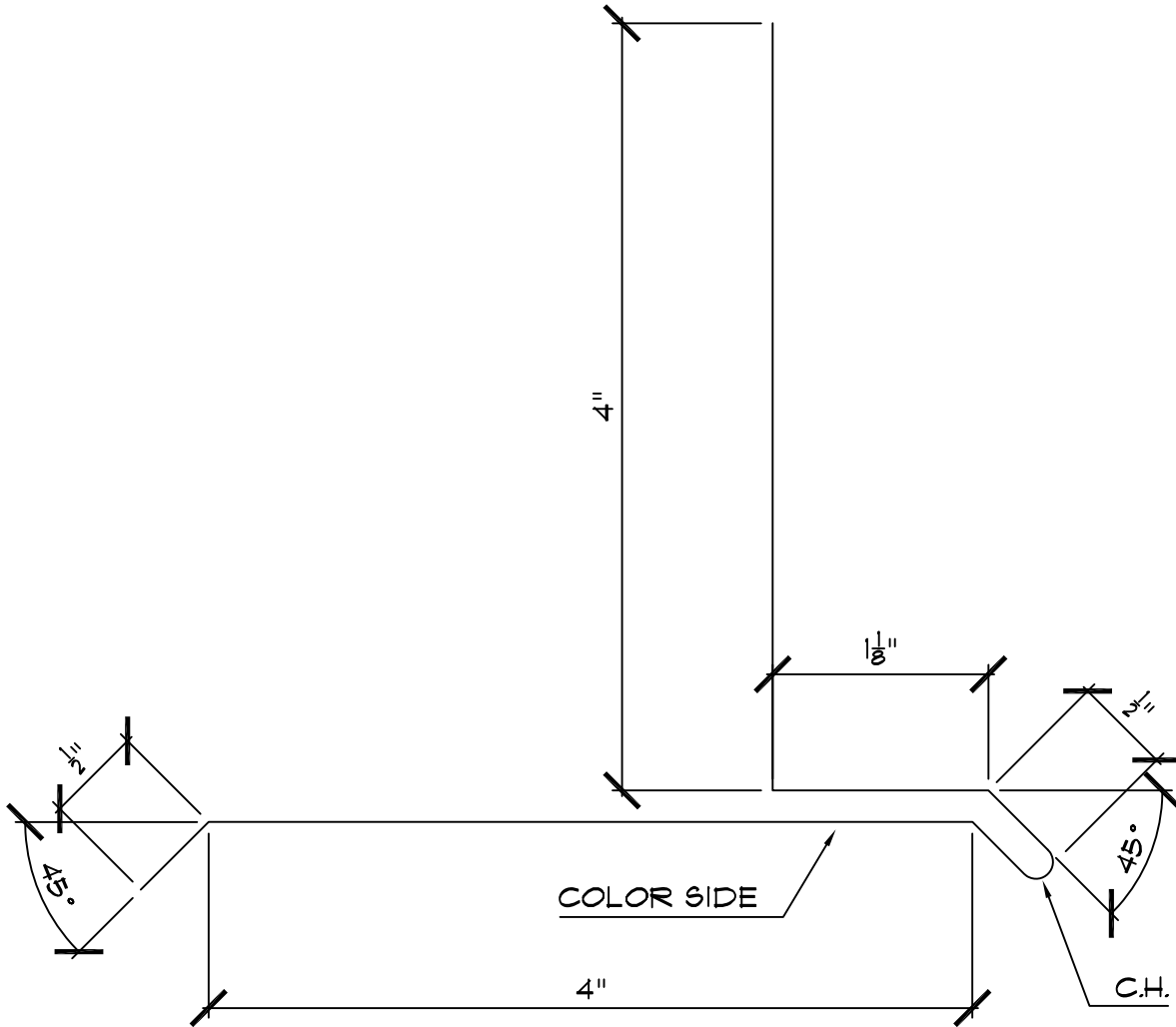
DRAWN BY: BMG

DATE: 8/1/16

ACCEPTED BY: _____

DATE: _____





GAUGE: _____ STRETCH-OUT: 10 5/8"

COLOR: _____ # OF BREAKS: 6

LENGTH: 10'-0" QUANTITY: _____

PART #: HT093

PART NAME: _____

HEADER TRIM

CUSTOMER: _____

JOB NAME: _____

AEPS ORDER #: _____

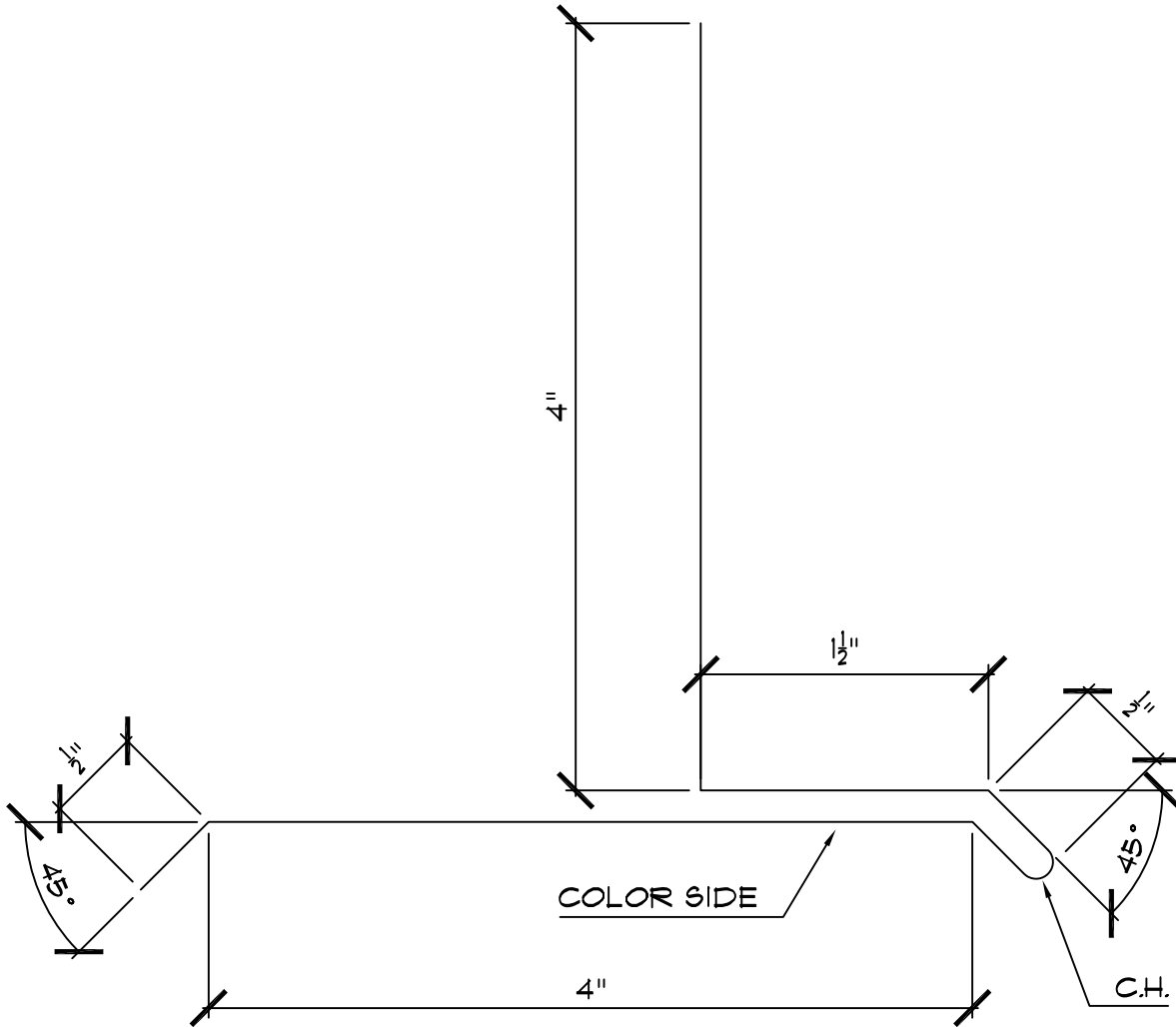
DRAWN BY: _____

DATE: _____

ACCEPTED BY: _____

DATE: _____





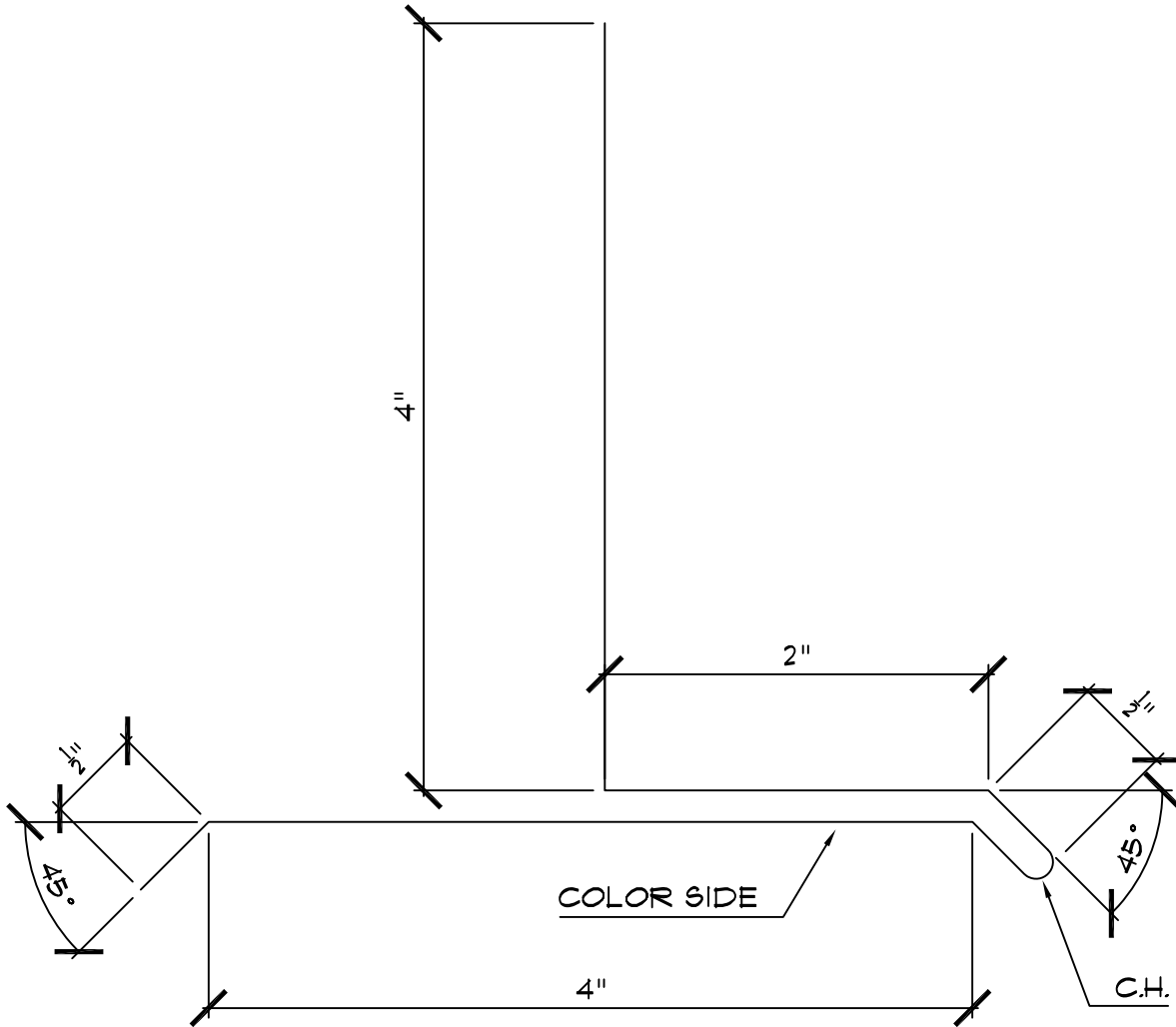
GAUGE: _____ STRETCH-OUT: 11"
 COLOR: _____ # OF BREAKS: 6
 LENGTH: 10'-0" QUANTITY: _____

PART #: HT095
 PART NAME: _____
 HEADER TRIM

CUSTOMER: _____
 JOB NAME: _____
 AEPS ORDER #: _____

DRAWN BY: BMG
 DATE: 8/1/16
 ACCEPTED BY: _____
 DATE: _____





GAUGE: _____ STRETCH-OUT: 11 1/2"

COLOR: _____ # OF BREAKS: 6

LENGTH: 10'-0" QUANTITY: _____

PART #: HT100

PART NAME: _____

HEADER TRIM

CUSTOMER: _____

JOB NAME: _____

AEPS ORDER #: _____

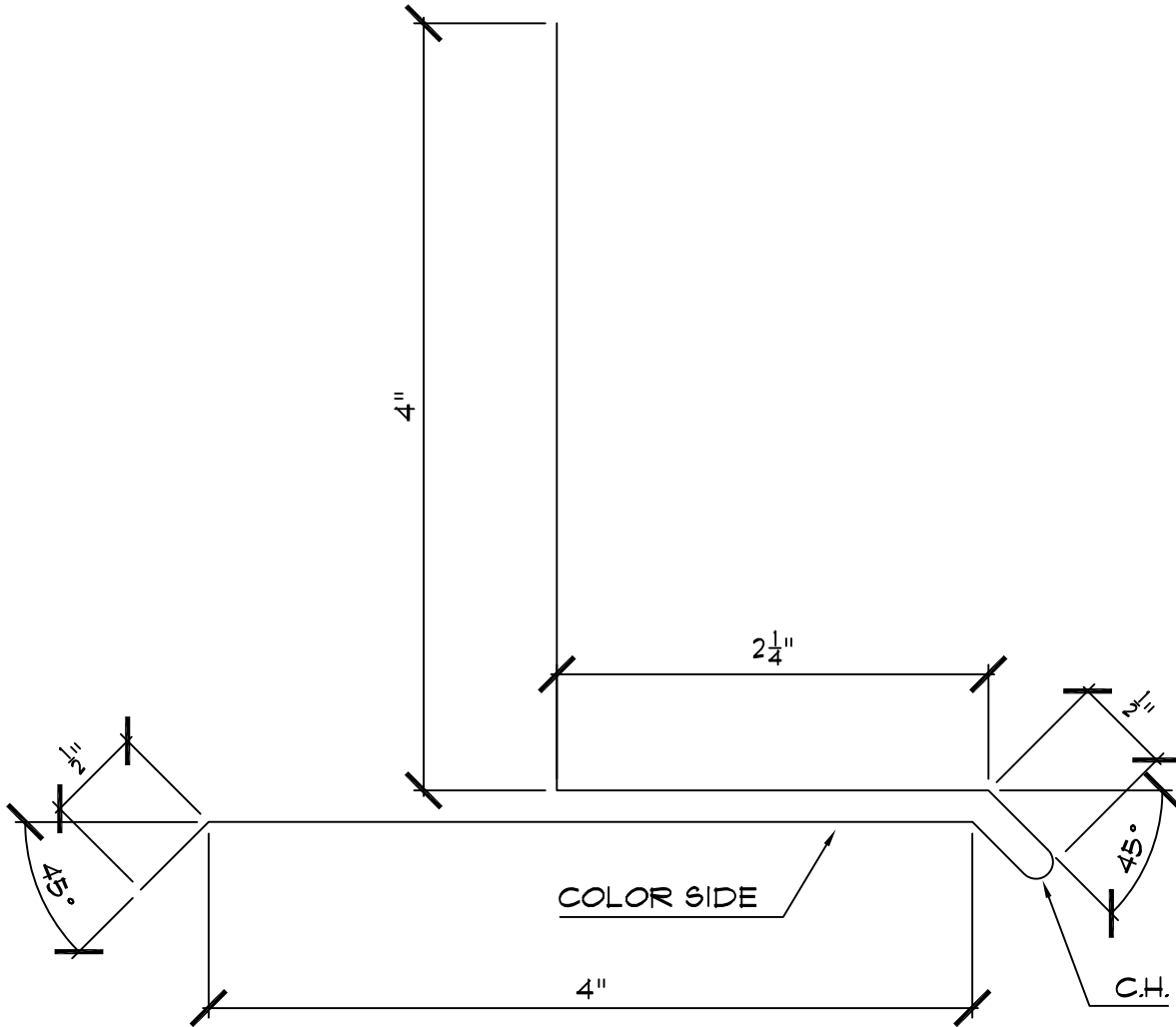
DRAWN BY: BMG

DATE: 8/1/16

ACCEPTED BY: _____

DATE: _____





GAUGE: _____ STRETCH-OUT: 11 3/4"

COLOR: _____ # OF BREAKS: 6

LENGTH: 10'-0" QUANTITY: _____

PART #: HT101

PART NAME:

HEADER TRIM

CUSTOMER: _____

JOB NAME: _____

AEPS ORDER #: _____

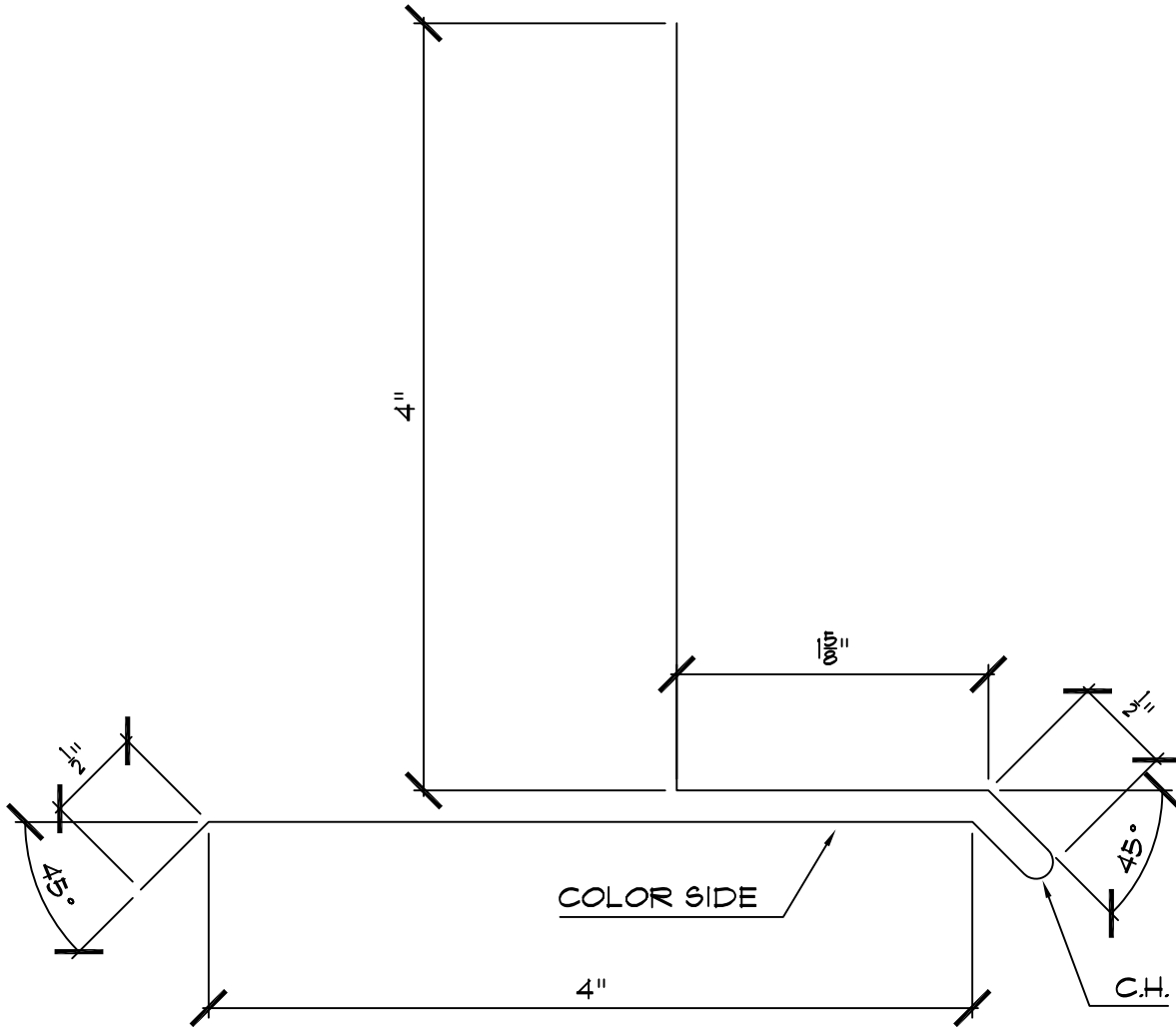
DRAWN BY: BMG

DATE: 8/1/16

ACCEPTED BY: _____

DATE: _____





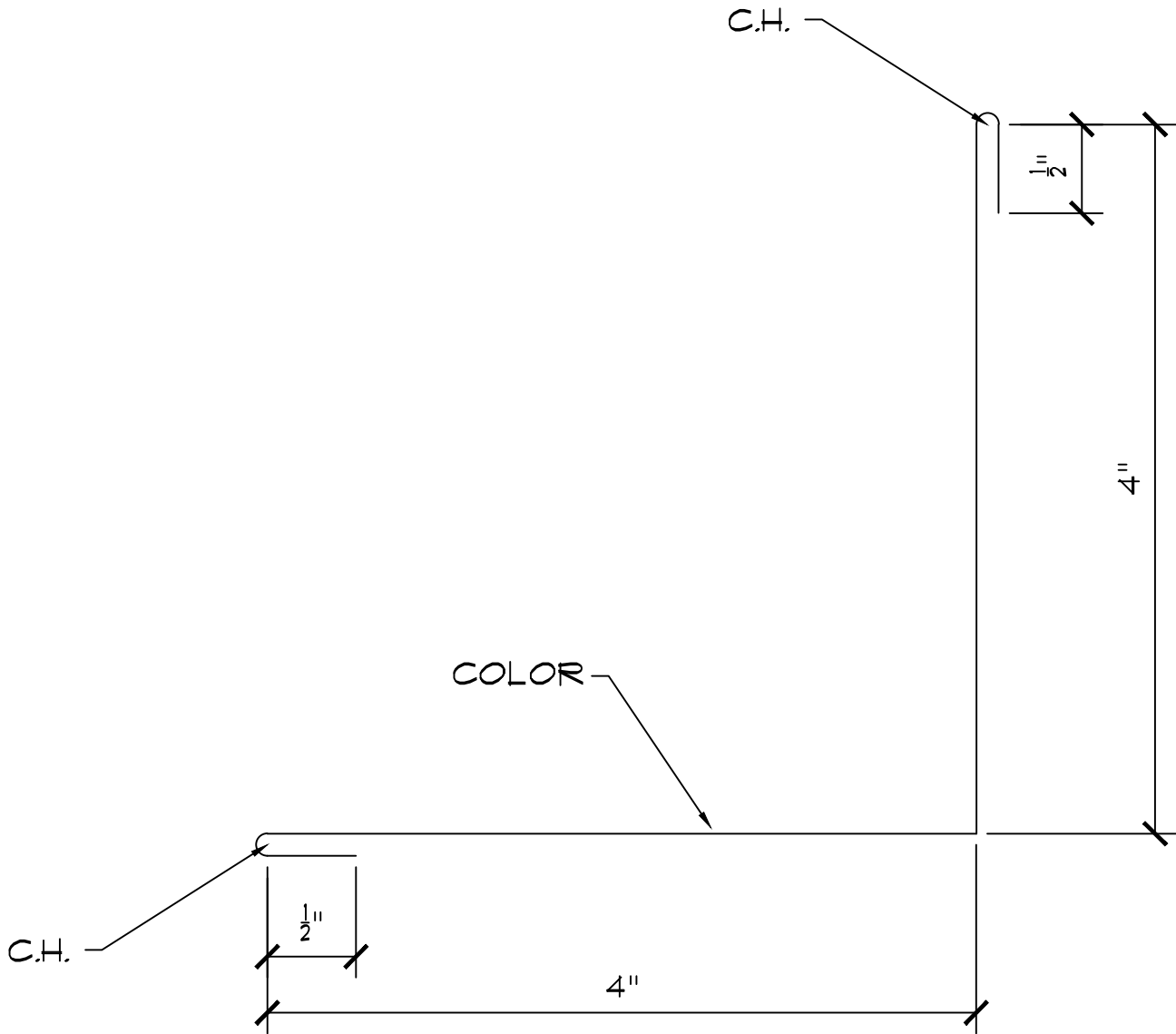
GAUGE: _____ STRETCH-OUT: 11 1/8"
 COLOR: _____ # OF BREAKS: 6
 LENGTH: 10'-0" QUANTITY: _____

PART #: HT102
 PART NAME: _____
 HEADER TRIM _____

CUSTOMER: _____
 JOB NAME: _____
 AEPS ORDER #: _____

DRAWN BY: BMG
 DATE: 8/1/16
 ACCEPTED BY: _____
 DATE: _____

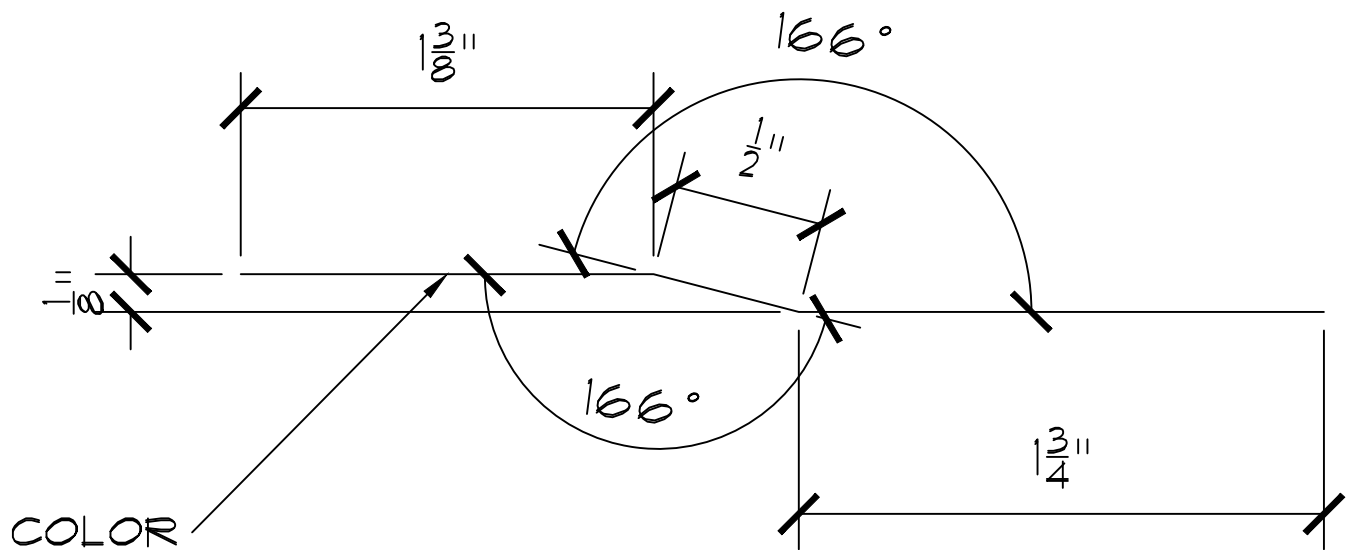




GAUGE: _____	STRETCH-OUT: <u>9"</u>	PART #: <u>IC093</u>
COLOR: _____	# OF BREAKS: <u>5</u>	PART NAME:
LENGTH: <u>10'-0"</u>	QUANTITY: _____	<u>INSIDE CORNER TRIM</u>

CUSTOMER: _____	DRAWN BY: _____
JOB NAME: _____	DATE: _____
AEPS ORDER #: _____	ACCEPTED BY: _____
	DATE: _____

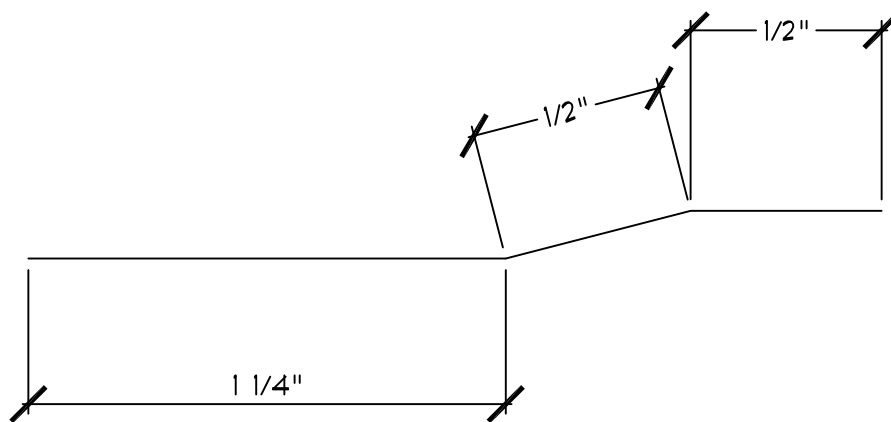




GAUGE: _____	STRETCH-OUT: <u>3 5/8"</u>	PART #: <u>JC095</u>
COLOR: _____	# OF BREAKS: <u>2</u>	PART NAME: _____
LENGTH: <u>10'-0"</u>	QUANTITY: _____	<u>JOGGLE CLEAT</u>

CUSTOMER: _____	DRAWN BY: _____
JOB NAME: _____	DATE: _____
AEPS ORDER #: _____	ACCEPTED BY: _____
	DATE: _____





GAUGE: _____ STRETCH-OUT: 2 1/4"

COLOR: _____ # OF BREAKS: 2

LENGTH: 10'-0" QUANTITY: _____

PART #: JC096

PART NAME: _____

STARTER CLEAT

CUSTOMER: _____

JOB NAME: _____

AEPS ORDER #: _____

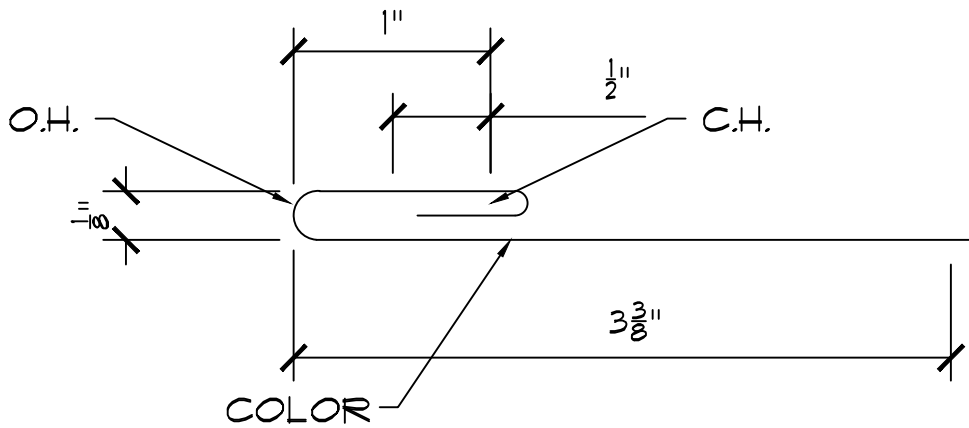
DRAWN BY: BMG

DATE: 9/15/16

ACCEPTED BY: _____

DATE: _____

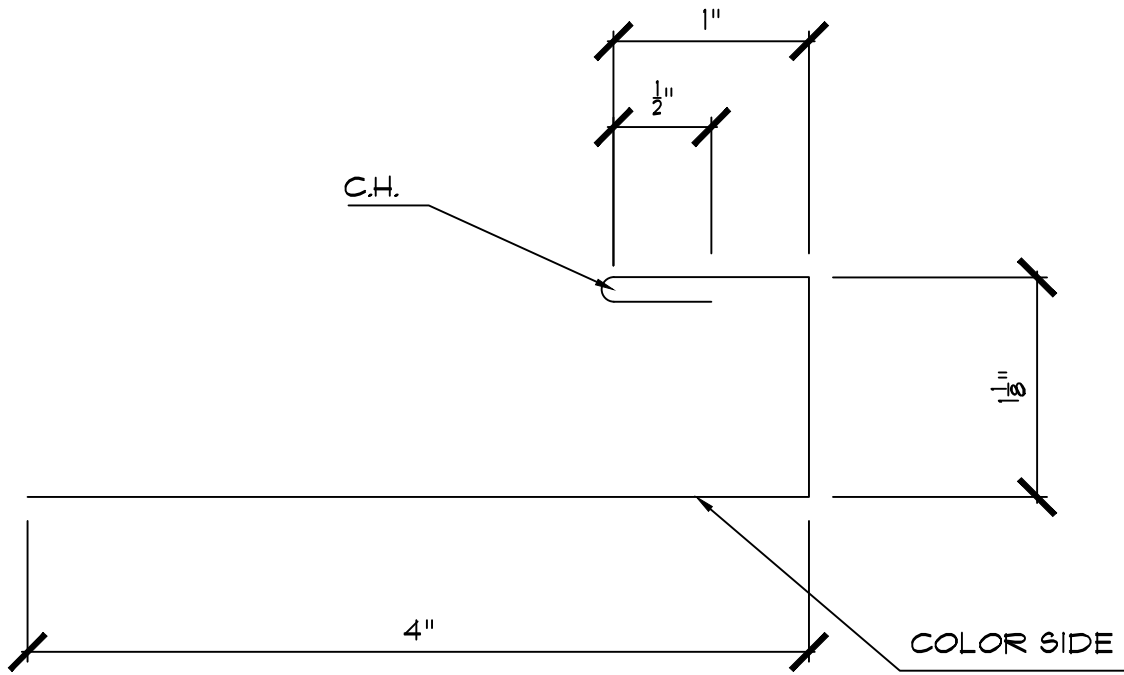




GAUGE: _____	STRETCH-OUT: <u>5"</u>	PART #: <u>JS096</u>
COLOR: _____	# OF BREAKS: <u>4</u>	PART NAME: _____
LENGTH: <u>10'-0"</u>	QUANTITY: _____	"J" STARTER _____

CUSTOMER: _____ JOB NAME: _____ AEPS ORDER #: _____	DRAWN BY: _____ DATE: _____
	ACCEPTED BY: _____ DATE: _____

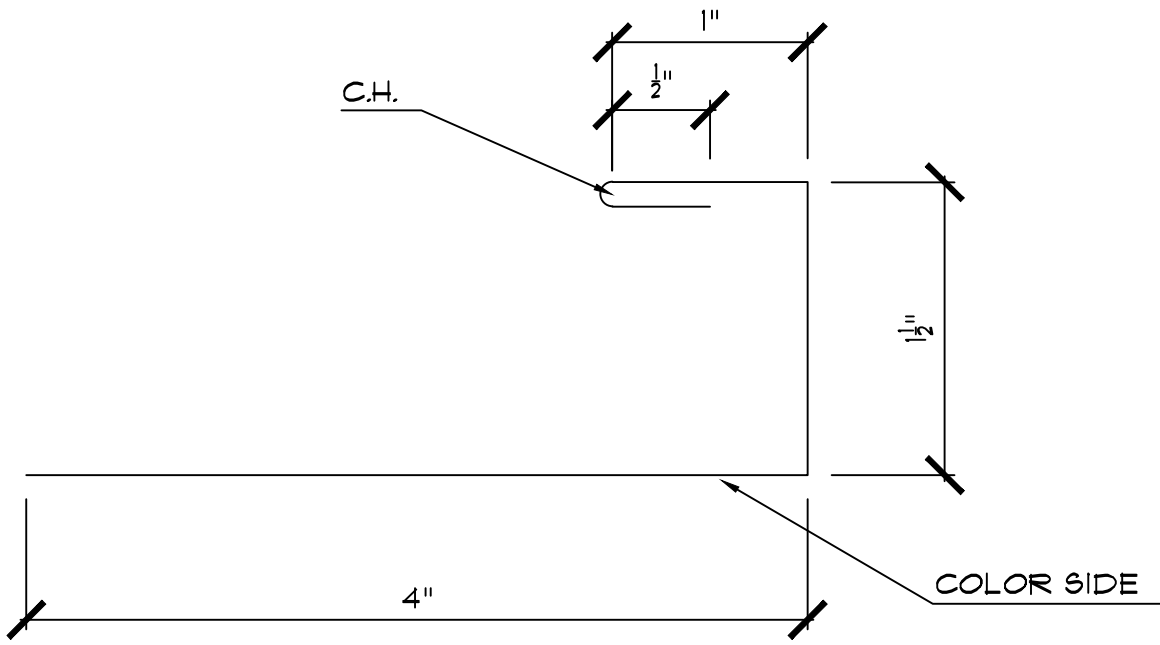




GAUGE: _____	STRETCH-OUT: <u>6 5/8"</u>	PART #: <u>JT097</u>
COLOR: _____	# OF BREAKS: <u>4</u>	PART NAME: _____
LENGTH: <u>10'-0"</u>	QUANTITY: _____	<u>"J" TRIM</u>

CUSTOMER: _____	DRAWN BY: _____
JOB NAME: _____	DATE: _____
AEPS ORDER #: _____	ACCEPTED BY: _____
	DATE: _____





GAUGE: _____	STRETCH-OUT: <u>7"</u>
COLOR: _____	# OF BREAKS: <u>4</u>
LENGTH: <u>10'-0"</u>	QUANTITY: _____

PART #: JT098

PART NAME: "J" TRIM

CUSTOMER: _____

JOB NAME: _____

AEPS ORDER #: _____

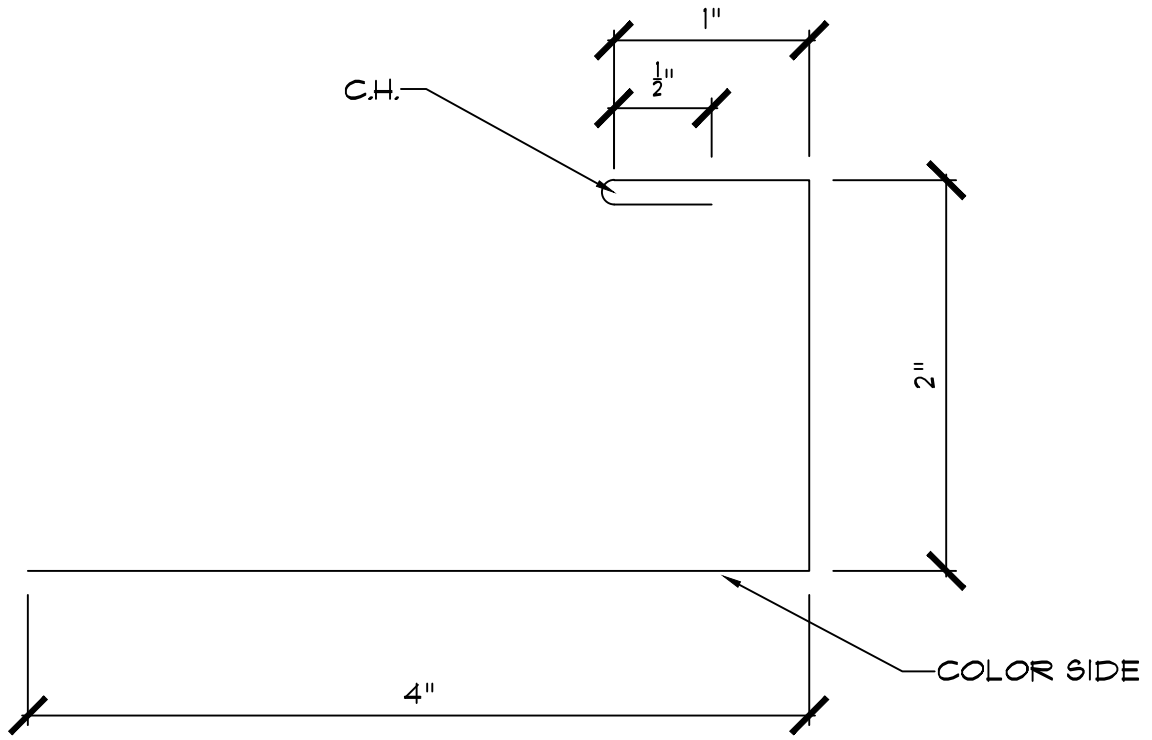
DRAWN BY: _____

DATE: _____

ACCEPTED BY: _____

DATE: _____





GAUGE: _____	STRETCH-OUT: <u>7 1/2"</u>
COLOR: _____	# OF BREAKS: <u>4</u>
LENGTH: <u>10'-0"</u>	QUANTITY: _____

PART #: JT099

PART NAME: "J" TRIM

CUSTOMER: _____

JOB NAME: _____

AEPS ORDER #: _____

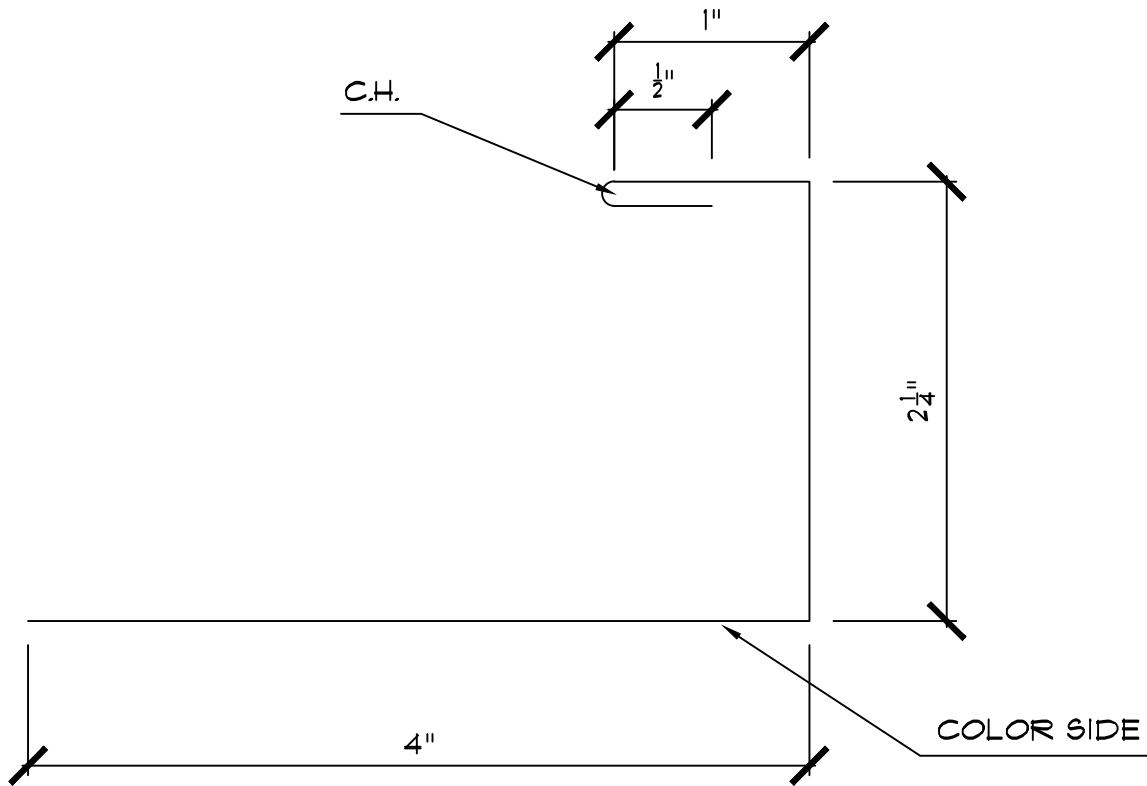
DRAWN BY: _____

DATE: _____

ACCEPTED BY: _____

DATE: _____

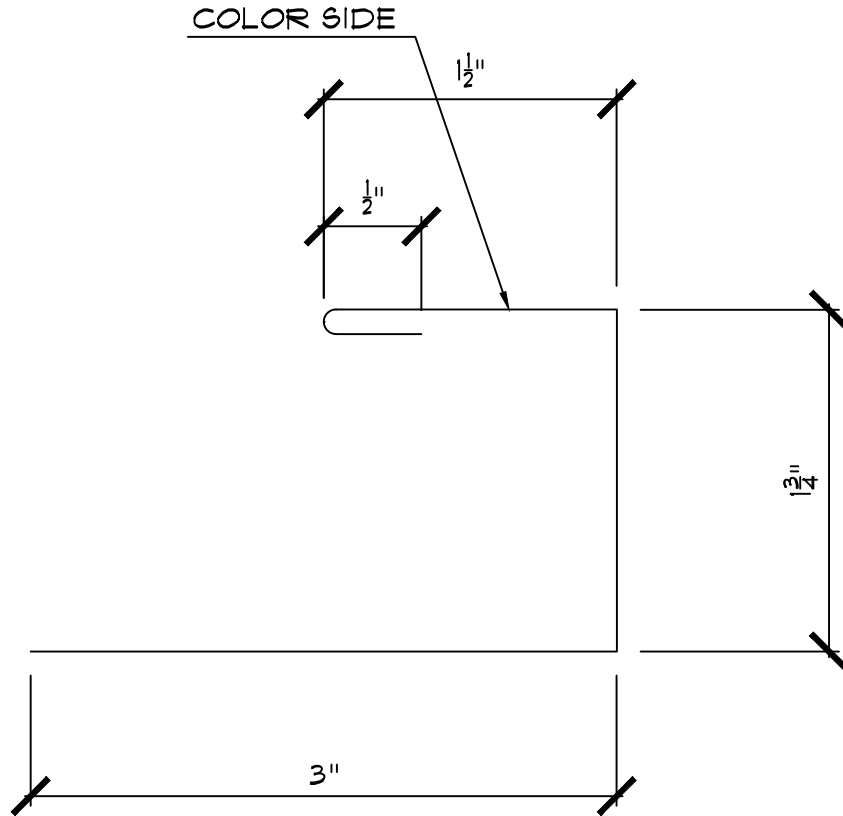




GAUGE: _____	STRETCH-OUT: <u>7 3/4"</u>	PART #: <u>JT100</u>
COLOR: _____	# OF BREAKS: <u>4</u>	PART NAME: _____
LENGTH: <u>10'-0"</u>	QUANTITY: _____	<u>"J" TRIM</u>

CUSTOMER: _____	DRAWN BY: _____
JOB NAME: _____	DATE: _____
AEPS ORDER #: _____	ACCEPTED BY: _____
	DATE: _____

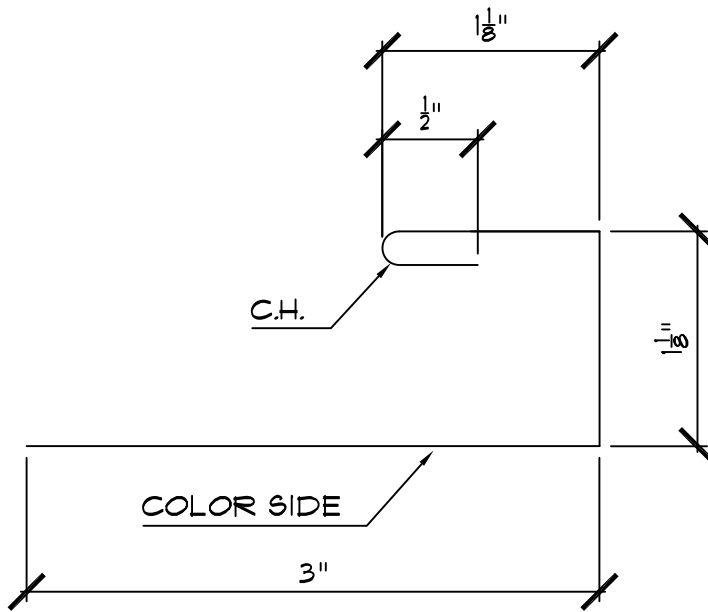




GAUGE: _____	STRETCH-OUT: <u>6 3/4"</u>	PART #: <u>JT107</u>
COLOR: _____	# OF BREAKS: <u>4</u>	PART NAME: _____
LENGTH: <u>10'-0"</u>	QUANTITY: _____	<u>C-METAL</u>

CUSTOMER: _____ JOB NAME: _____ AEPS ORDER #: _____	DRAWN BY: _____ DATE: _____
	ACCEPTED BY: _____ DATE: _____





GAUGE: _____ STRETCH-OUT: 5 3/4"

COLOR: _____ # OF BREAKS: 4

LENGTH: 10'-0" QUANTITY: _____

PART #: JT108

PART NAME: _____

J TRIM

CUSTOMER: _____

JOB NAME: _____

AEPS ORDER #: _____

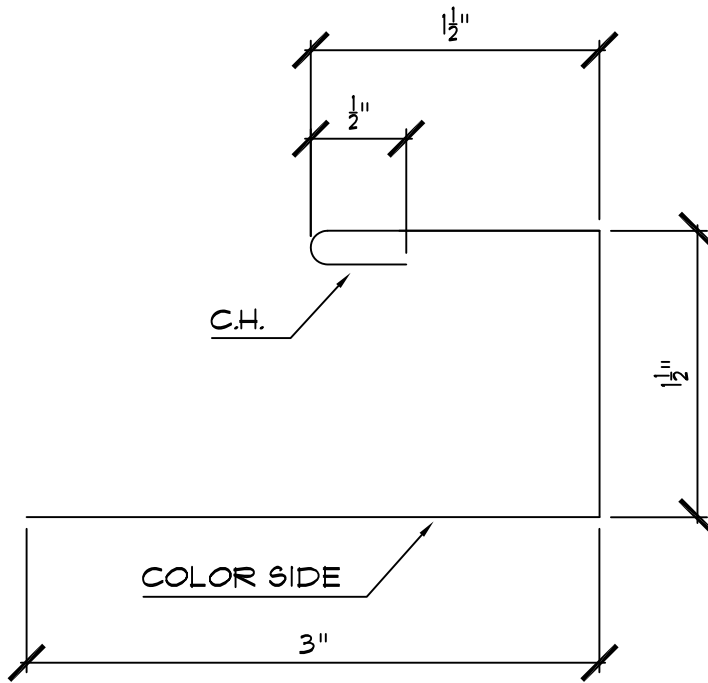
DRAWN BY: BMG

DATE: 8/01/16

ACCEPTED BY: _____

DATE: _____





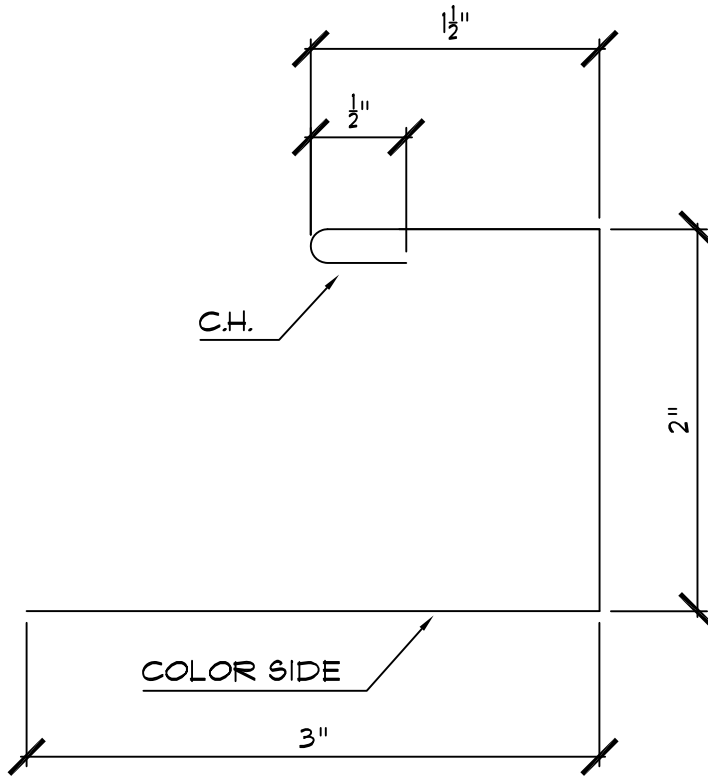
GAUGE: _____ STRETCH-OUT: 6 1/2"
 COLOR: _____ # OF BREAKS: 4
 LENGTH: 10'-0" QUANTITY: _____

PART #: JT109
 PART NAME: J TRIM

CUSTOMER: _____
 JOB NAME: _____
 AEPS ORDER #: _____

DRAWN BY: BMG
 DATE: 8/01/16
 ACCEPTED BY: _____
 DATE: _____

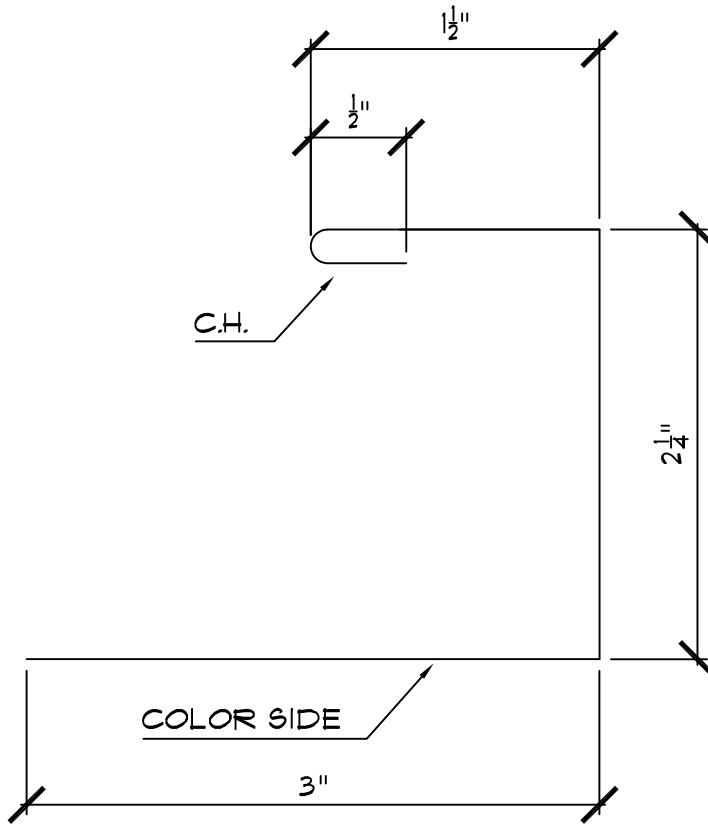




GAUGE: _____	STRETCH-OUT: <u>7"</u>	PART #: <u>JT110</u>
COLOR: _____	# OF BREAKS: <u>4</u>	PART NAME: _____
LENGTH: <u>10'-0"</u>	QUANTITY: _____	<u>J TRIM</u>

CUSTOMER: _____	DRAWN BY: <u>BMG</u>
JOB NAME: _____	DATE: <u>8/01/16</u>
AEPS ORDER #: _____	ACCEPTED BY: _____
	DATE: _____

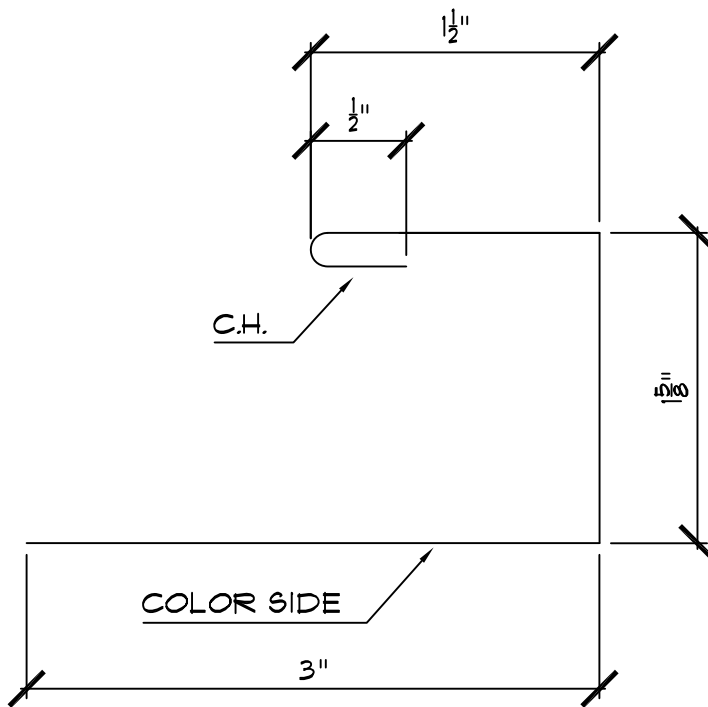




GAUGE: _____	STRETCH-OUT: <u>1 1/4"</u>	PART #: <u>JTIII</u>
COLOR: _____	# OF BREAKS: <u>4</u>	PART NAME: _____
LENGTH: <u>10'-0"</u>	QUANTITY: _____	<u>J TRIM</u>

CUSTOMER: _____	DRAWN BY: <u>BMG</u>
JOB NAME: _____	DATE: <u>8/01/16</u>
AEPS ORDER #: _____	ACCEPTED BY: _____
	DATE: _____





GAUGE: _____ STRETCH-OUT: 6 5/8"

COLOR: _____ # OF BREAKS: 4

LENGTH: 10'-0" QUANTITY: _____

PART #: JT112

PART NAME: _____

J TRIM

CUSTOMER: _____

JOB NAME: _____

AEPS ORDER #: _____

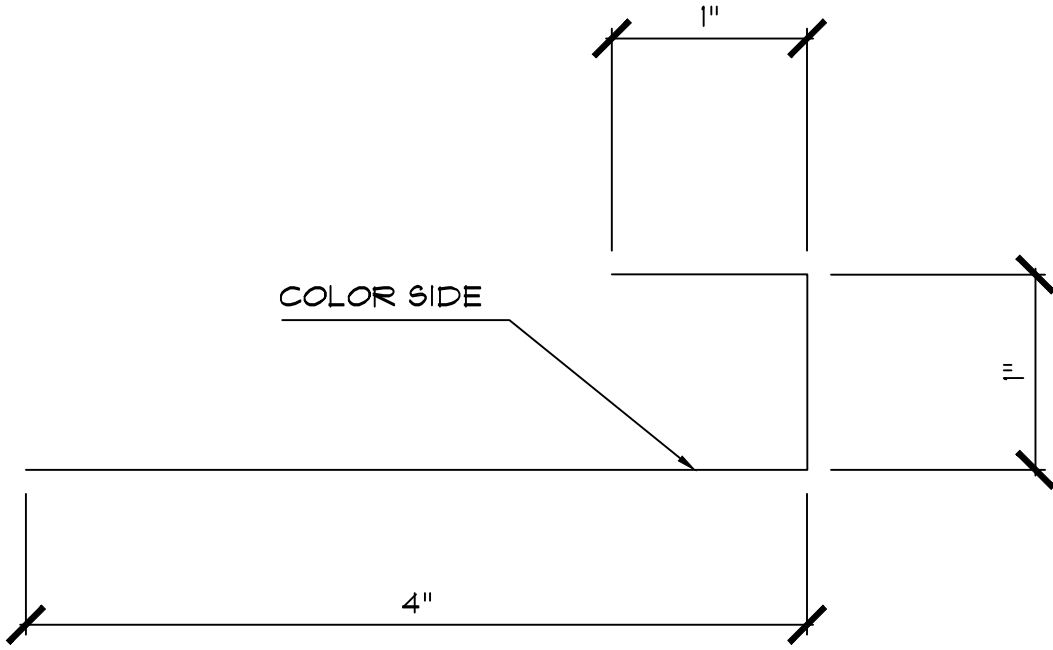
DRAWN BY: BMG

DATE: 8/01/16

ACCEPTED BY: _____

DATE: _____





COLOR SIDE

4"

1"

2"

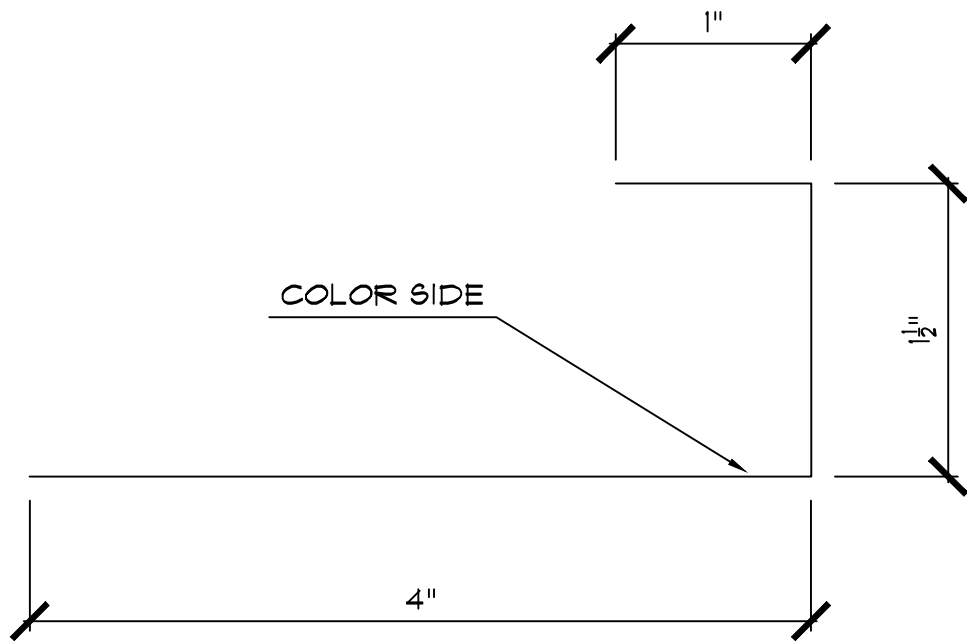
GAUGE: _____ STRETCH-OUT: 6"
 COLOR: _____ # OF BREAKS: 2
 LENGTH: 10'-0" QUANTITY: _____

PART #: JT102
 PART NAME: _____
U" TRIM

CUSTOMER: _____
 JOB NAME: _____
 AEPS ORDER #: _____

DRAWN BY: _____
 DATE: _____
 ACCEPTED BY: _____
 DATE: _____





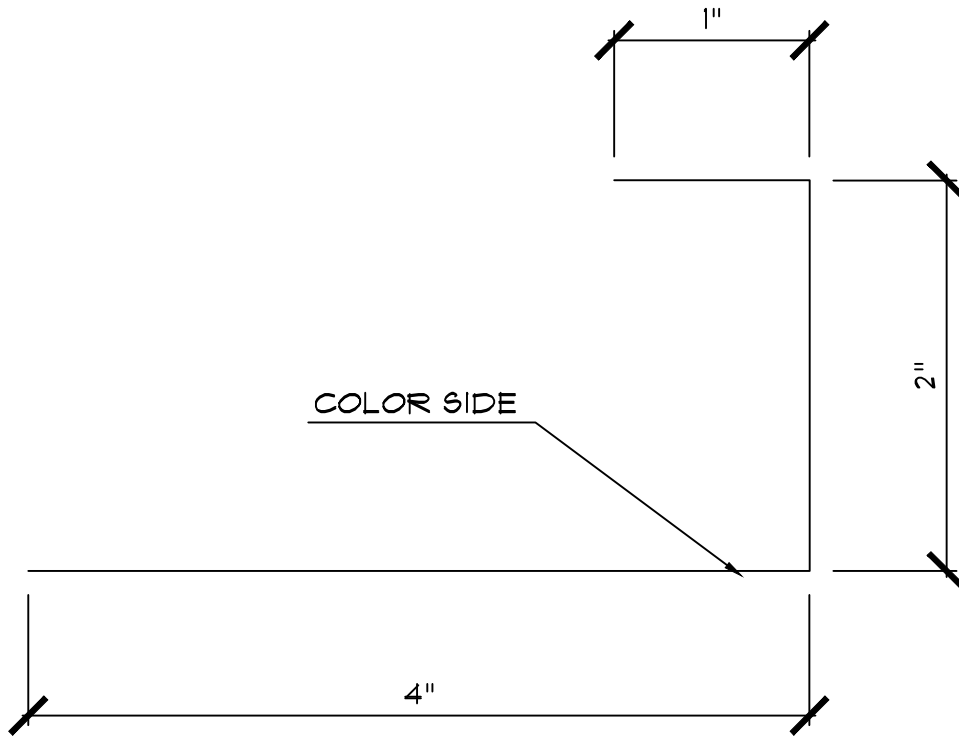
GAUGE: _____ STRETCH-OUT: 6 1/2"
 COLOR: _____ # OF BREAKS: 2
 LENGTH: 10'-0" QUANTITY: _____

PART #: JT103
 PART NAME: _____
"J" TRIM

CUSTOMER: _____
 JOB NAME: _____
 AEPS ORDER #: _____

DRAWN BY: _____
 DATE: _____
 ACCEPTED BY: _____
 DATE: _____





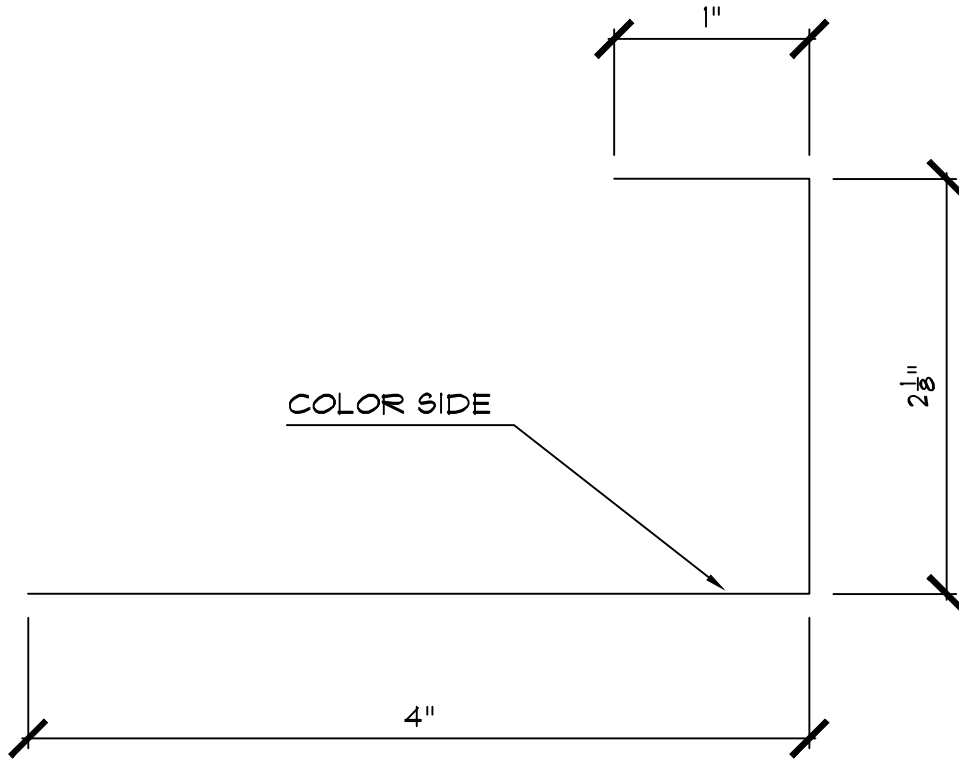
GAUGE: _____ STRETCH-OUT: 7"
 COLOR: _____ # OF BREAKS: 2
 LENGTH: 10'-0" QUANTITY: _____

PART #: JT104
 PART NAME: _____
"J" TRIM

CUSTOMER: _____
 JOB NAME: _____
 AEPS ORDER #: _____

DRAWN BY: _____
 DATE: _____
 ACCEPTED BY: _____
 DATE: _____

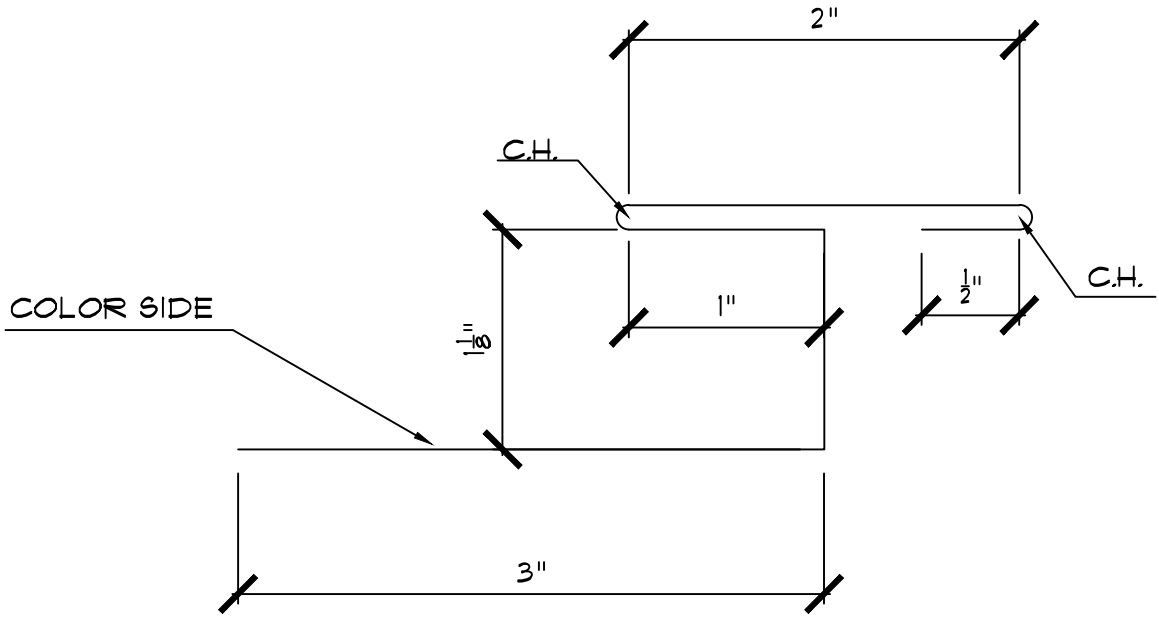




GAUGE: _____	STRETCH-OUT: <u>7 1/8"</u>	PART #: <u>JT105</u>
COLOR: _____	# OF BREAKS: <u>2</u>	PART NAME: _____
LENGTH: <u>10'-0"</u>	QUANTITY: _____	<u>"J" TRIM</u>

CUSTOMER: _____ JOB NAME: _____ AEPS ORDER #: _____	DRAWN BY: _____ DATE: _____
	ACCEPTED BY: _____ DATE: _____





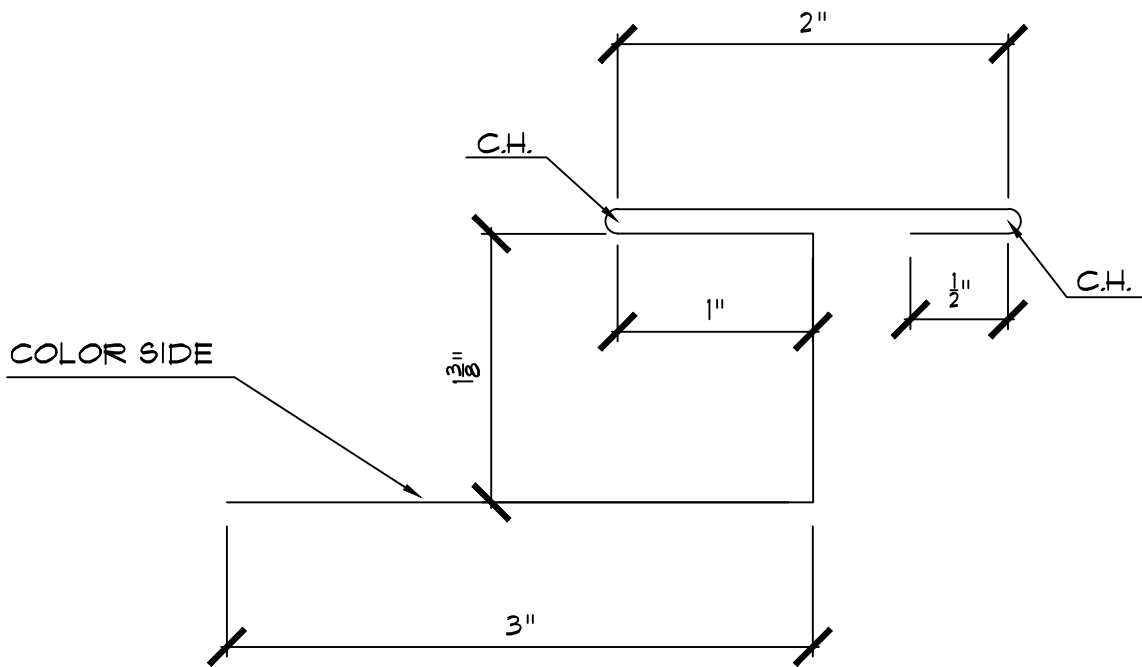
GAUGE: _____ STRETCH-OUT: 7 5/8"
 COLOR: _____ # OF BREAKS: 6
 LENGTH: 10'-0" QUANTITY: _____

PART #: MT101
 PART NAME: _____
 MITER TRIM

CUSTOMER: _____
 JOB NAME: _____
 AEPS ORDER #: _____

DRAWN BY: _____
 DATE: _____
 ACCEPTED BY: _____
 DATE: _____

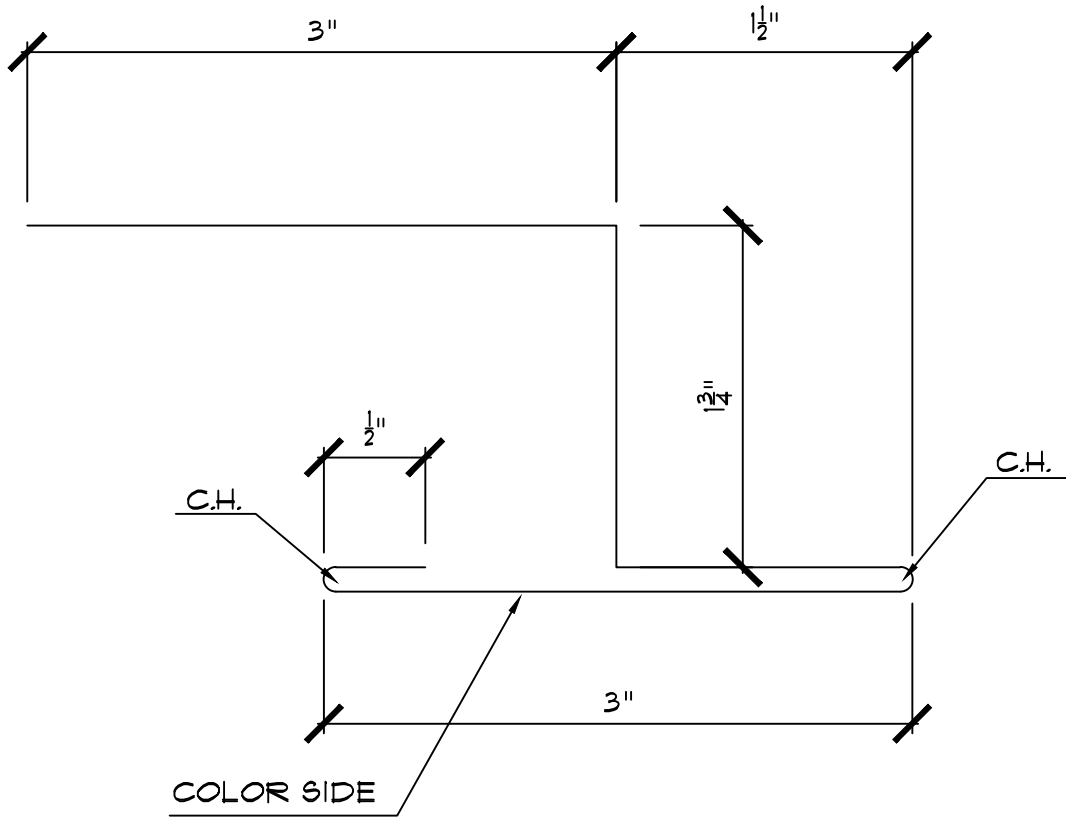




GAUGE: _____	STRETCH-OUT: <u>7 7/8"</u>	PART #: <u>MT108</u>
COLOR: _____	# OF BREAKS: <u>6</u>	PART NAME: _____
LENGTH: <u>10'-0"</u>	QUANTITY: _____	MITER TRIM

CUSTOMER: _____	DRAWN BY: _____
JOB NAME: _____	DATE: _____
AEPS ORDER #: _____	ACCEPTED BY: _____
	DATE: _____





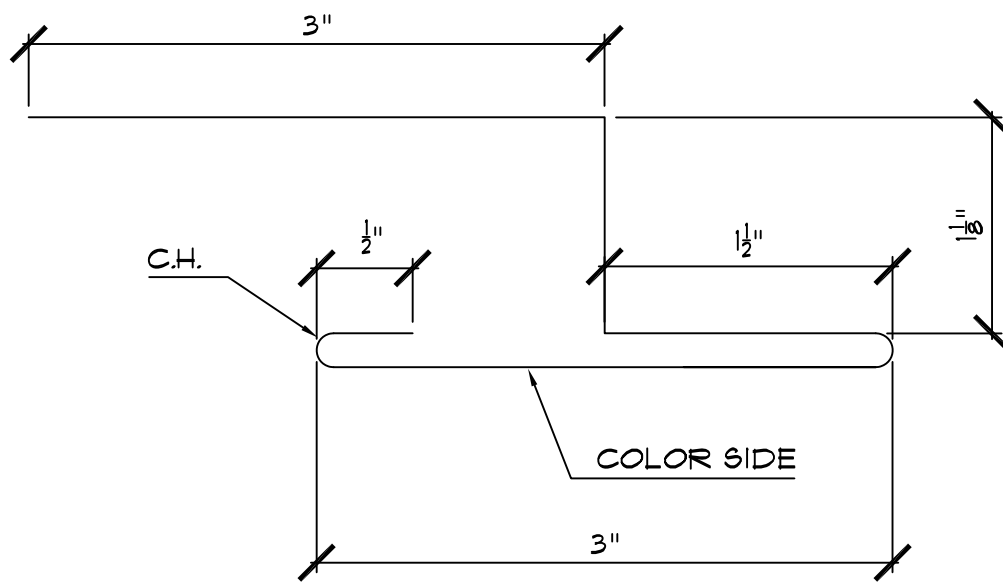
GAUGE: _____ STRETCH-OUT: 9 3/4"
 COLOR: _____ # OF BREAKS: 6
 LENGTH: 10'-0" QUANTITY: _____

PART #: MT109
 PART NAME: _____
 END SPLICE _____

CUSTOMER: _____
 JOB NAME: _____
 AEPS ORDER #: _____

DRAWN BY: _____
 DATE: _____
 ACCEPTED BY: _____
 DATE: _____





GAUGE: _____ STRETCH-OUT: 9 1/8"

COLOR: _____ # OF BREAKS: 6

LENGTH: 10'-0" QUANTITY: _____

PART #: MT110

PART NAME: _____

END SPLICE _____

CUSTOMER: _____

JOB NAME: _____

AEPS ORDER #: _____

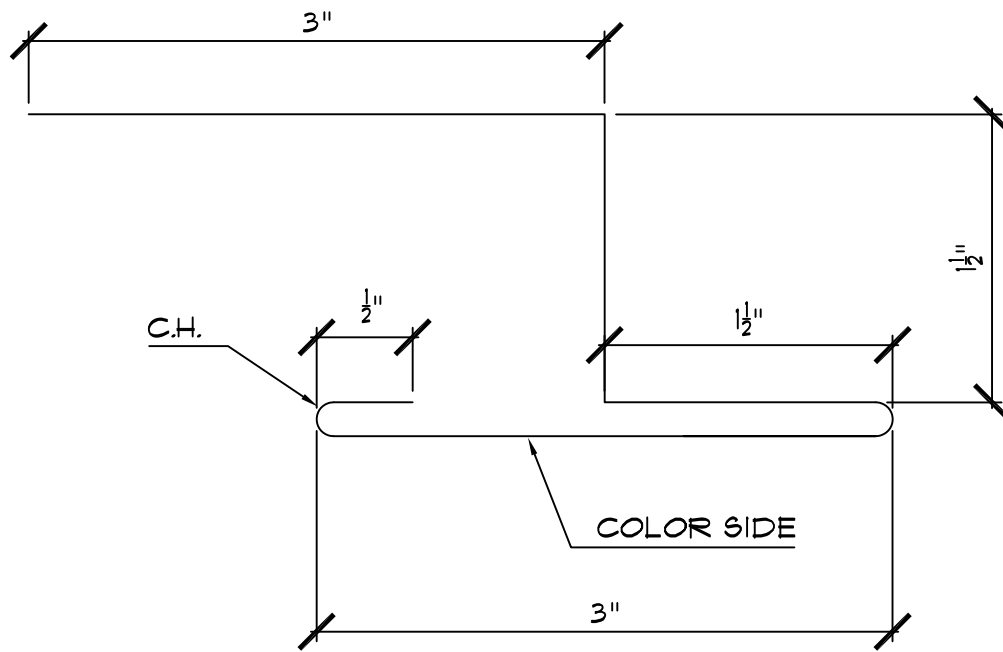
DRAWN BY: BMG

DATE: 11/30/16

ACCEPTED BY: _____

DATE: _____





GAUGE: _____ STRETCH-OUT: 9 1/2"

COLOR: _____ # OF BREAKS: 6

LENGTH: 10'-0" QUANTITY: _____

PART #: MTIII

PART NAME: _____

END SPLICE _____

CUSTOMER: _____

JOB NAME: _____

AEPS ORDER #: _____

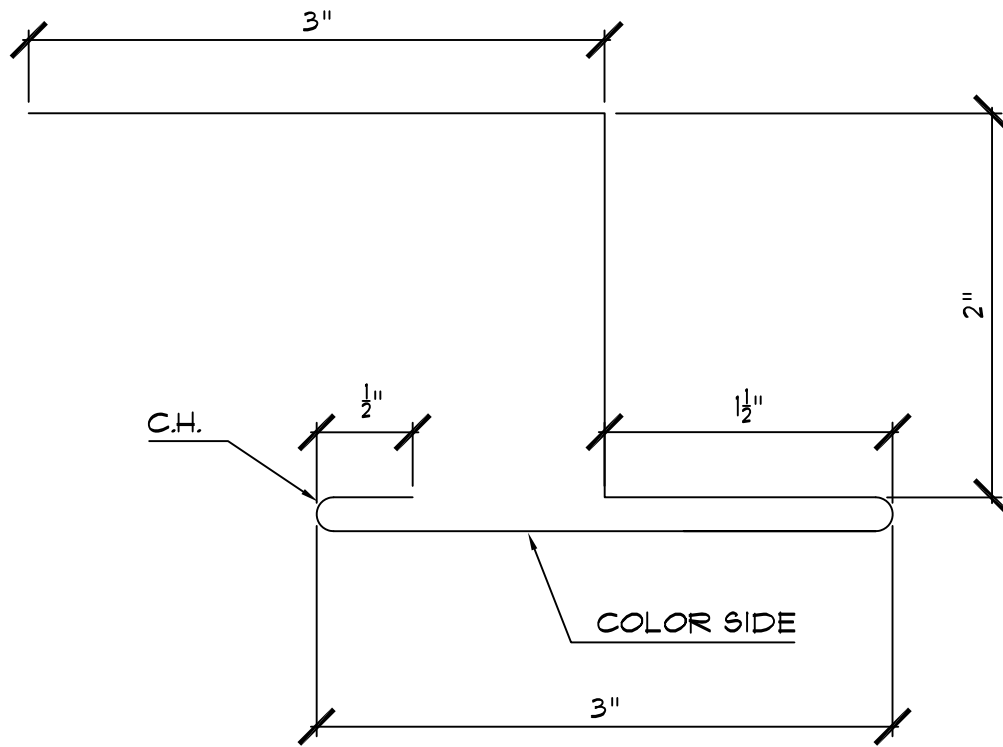
DRAWN BY: BMG

DATE: 12/01/16

ACCEPTED BY: _____

DATE: _____





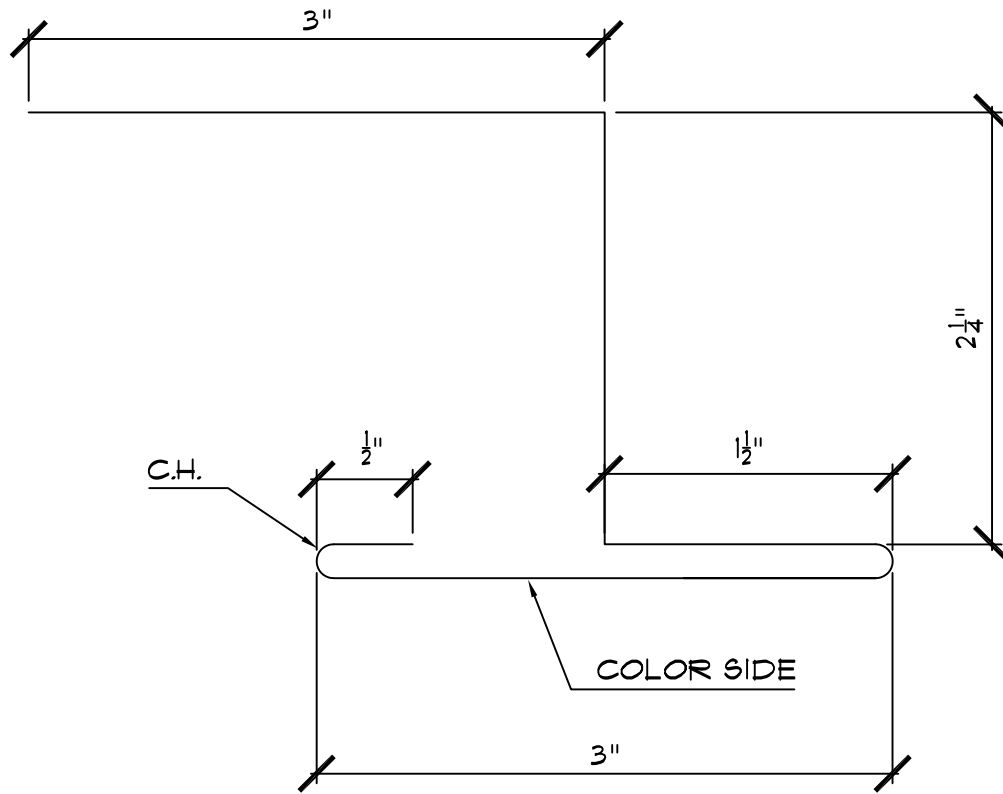
GAUGE: _____ STRETCH-OUT: 10"
 COLOR: _____ # OF BREAKS: 6
 LENGTH: 10'-0" QUANTITY: _____

PART #: MT112
 PART NAME: _____
 END SPLICE _____

CUSTOMER: _____
 JOB NAME: _____
 AEPS ORDER #: _____

DRAWN BY: BMG
 DATE: 12/01/16
 ACCEPTED BY: _____
 DATE: _____





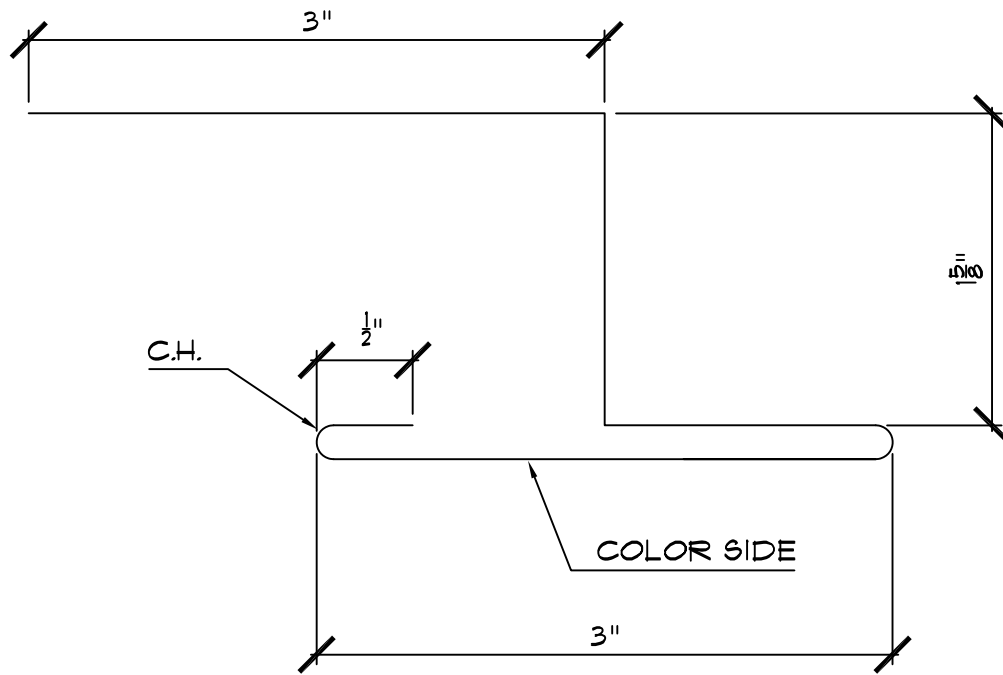
GAUGE: _____ STRETCH-OUT: 10 1/4"
 COLOR: _____ # OF BREAKS: 6
 LENGTH: 10'-0" QUANTITY: _____

PART #: MT113
 PART NAME: _____
 END SPLICE _____

CUSTOMER: _____
 JOB NAME: _____
 AEPS ORDER #: _____

DRAWN BY: BMG
 DATE: 12/01/16
 ACCEPTED BY: _____
 DATE: _____





GAUGE: _____ STRETCH-OUT: 8 1/8"

COLOR: _____ # OF BREAKS: 6

LENGTH: 10'-0" QUANTITY: _____

PART #: MT114

PART NAME: _____

END SPLICE _____

CUSTOMER: _____

JOB NAME: _____

AEPS ORDER #: _____

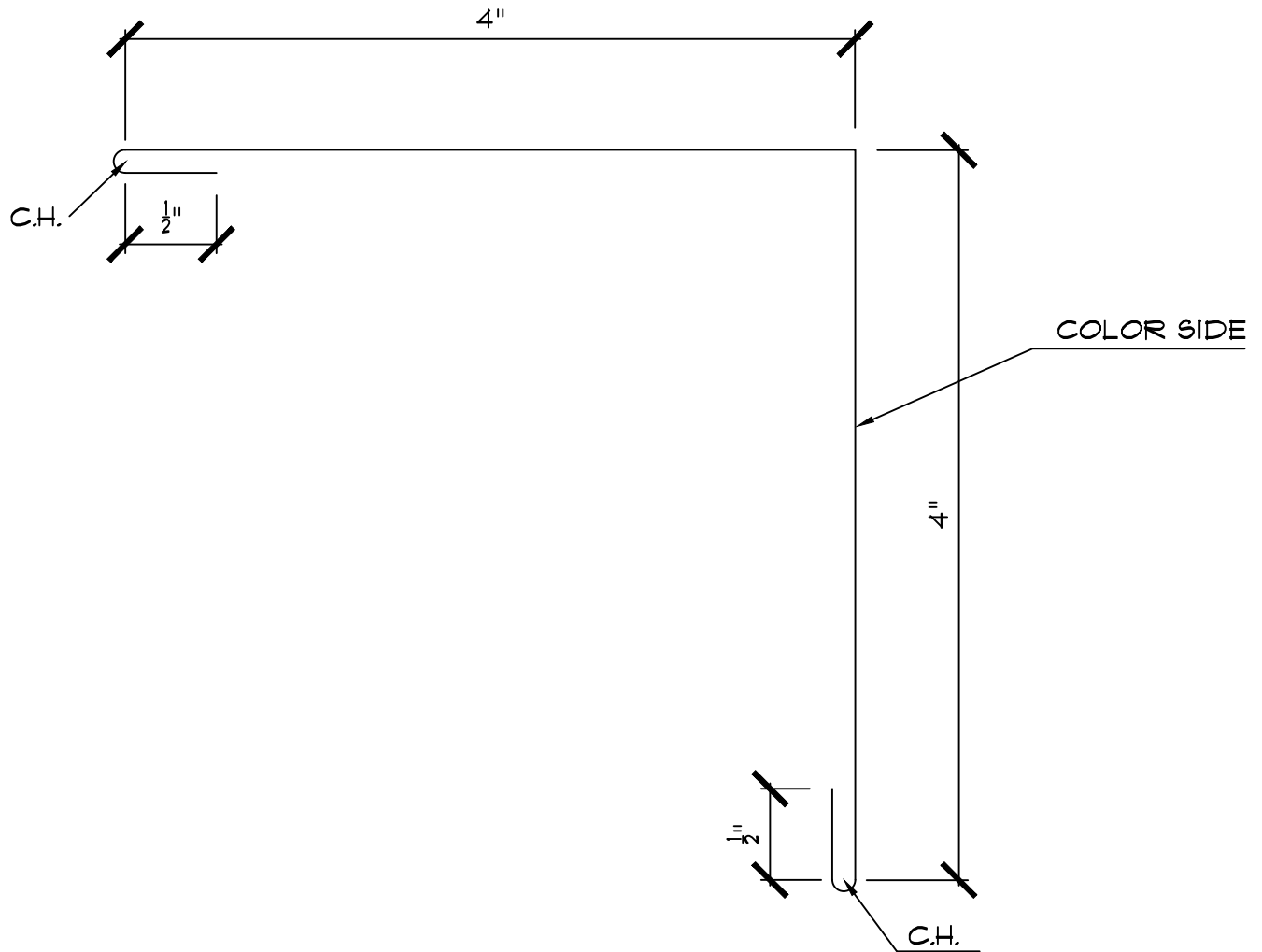
DRAWN BY: BMG

DATE: 8/01/16

ACCEPTED BY: _____

DATE: _____

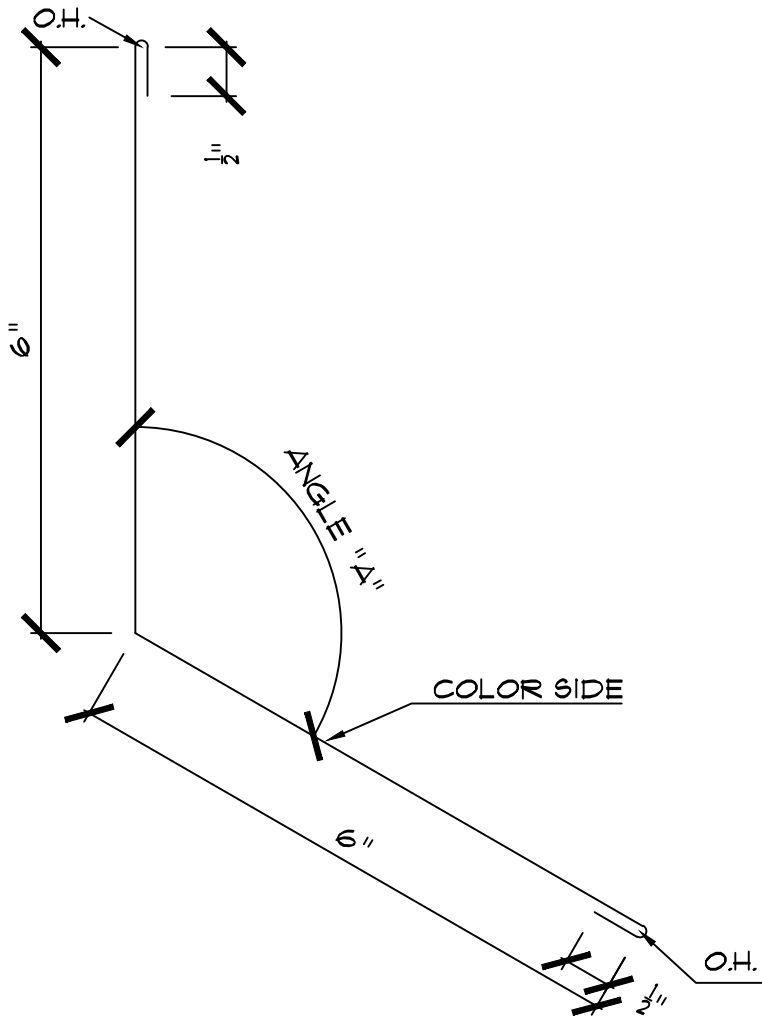




GAUGE: _____	STRETCH-OUT: <u>9"</u>	PART #: <u>OC111</u>
COLOR: _____	# OF BREAKS: <u>5</u>	PART NAME:
LENGTH: <u>10'-0"</u>	QUANTITY: _____	<u>OUTSIDE CORNER</u>

CUSTOMER: _____	DRAWN BY: _____
JOB NAME: _____	DATE: _____
AEPS ORDER #: _____	ACCEPTED BY: _____
	DATE: _____

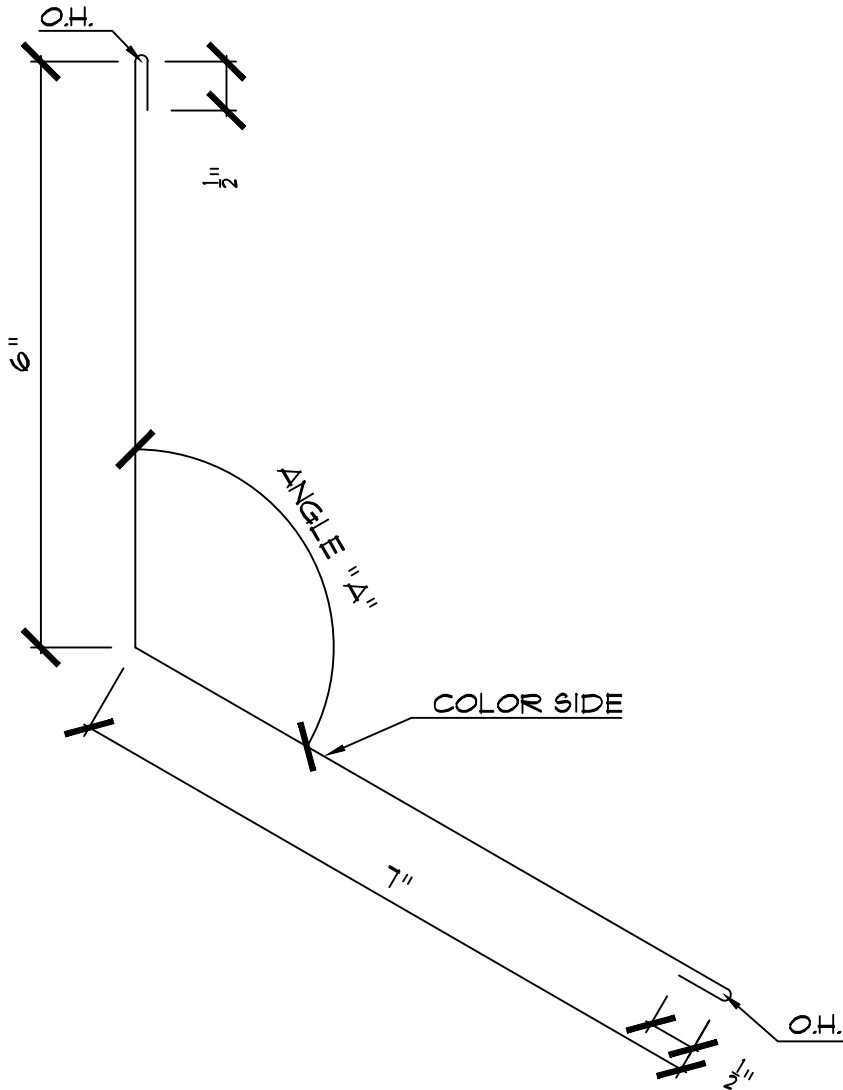




GAUGE: _____	STRETCH-OUT: <u>13"</u>	PART #: <u>FBI13</u>
COLOR: _____	# OF BREAKS: <u>5</u>	PART NAME: _____
LENGTH: <u>10'-0"</u>	QUANTITY: _____	PITCH BREAK _____

CUSTOMER: _____	DRAWN BY: _____
JOB NAME: _____	DATE: _____
AEPS ORDER #: _____	ACCEPTED BY: _____
	DATE: _____

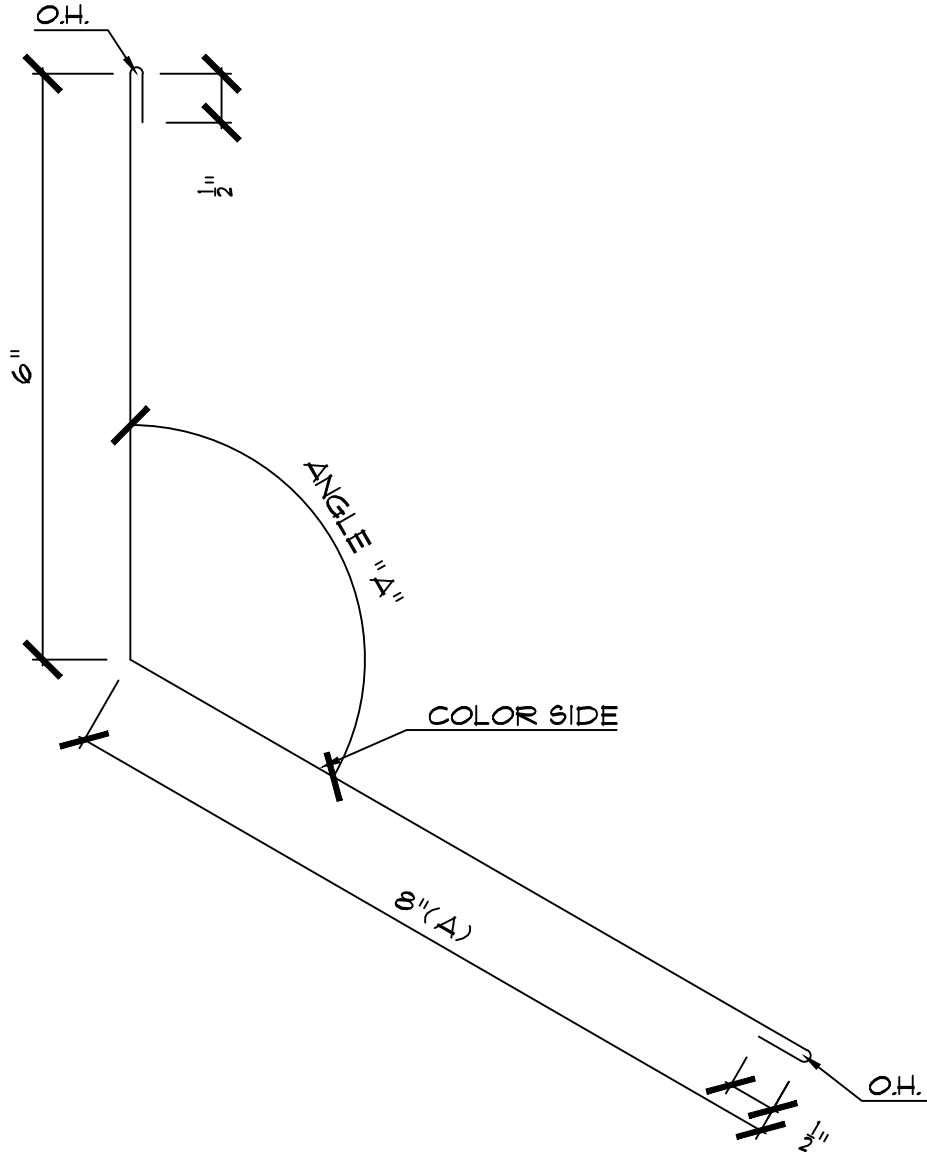




GAUGE: _____	STRETCH-OUT: <u>14"</u>	PART #: <u>FBI15</u>
COLOR: _____	# OF BREAKS: <u>5</u>	PART NAME: _____
LENGTH: <u>10'-0"</u>	QUANTITY: _____	PITCH BREAK _____

CUSTOMER: _____ JOB NAME: _____ AEPS ORDER #: _____	DRAWN BY: _____ DATE: _____
	ACCEPTED BY: _____ DATE: _____

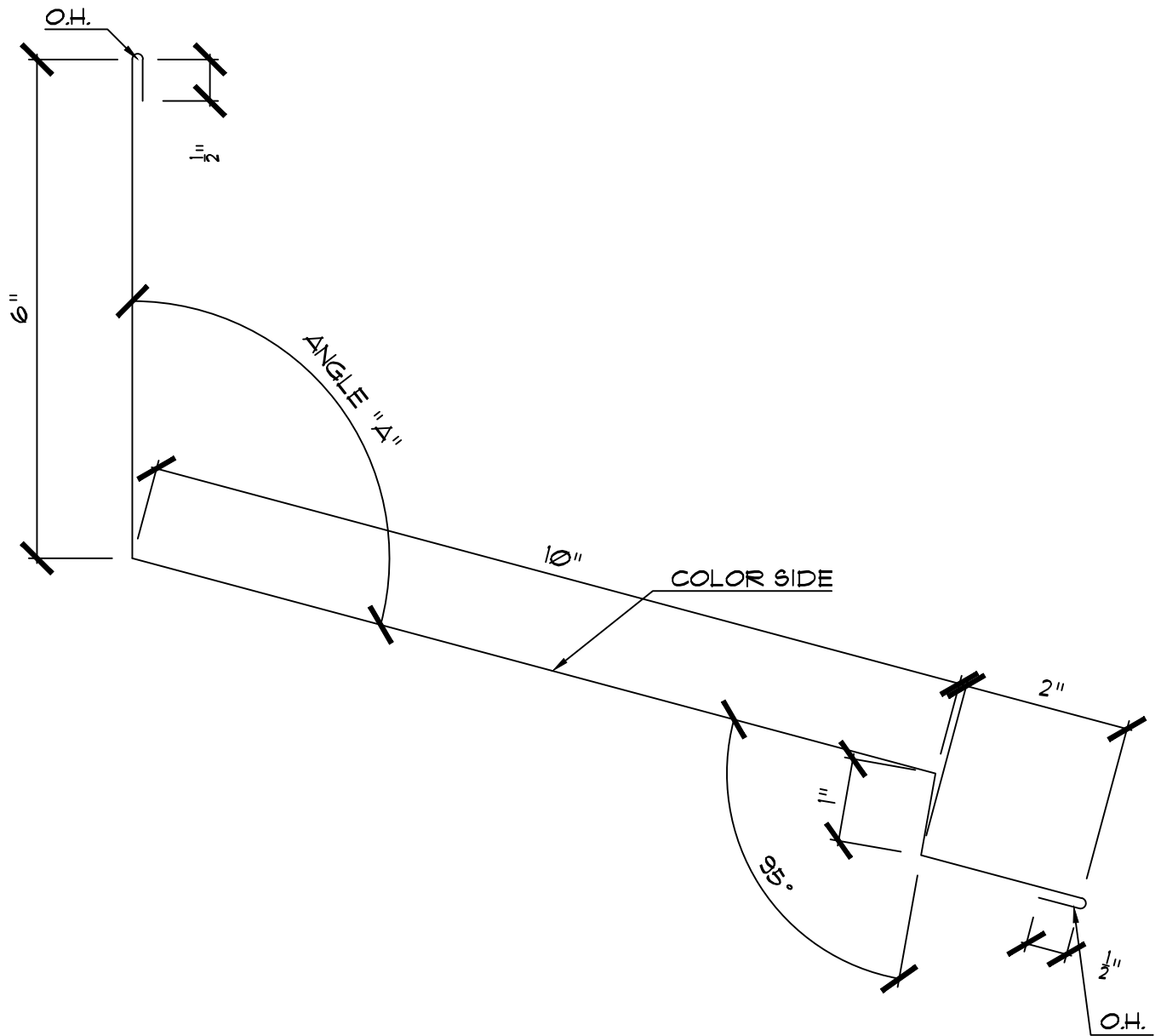




GAUGE: _____	STRETCH-OUT: <u>15"</u>	PART #: <u>FBI17</u>
COLOR: _____	# OF BREAKS: <u>5</u>	PART NAME: _____
LENGTH: <u>10'-0"</u>	QUANTITY: _____	PITCH BREAK _____

CUSTOMER: _____ JOB NAME: _____ AEPS ORDER #: _____	DRAWN BY: _____ DATE: _____
	ACCEPTED BY: _____ DATE: _____





PART #: FBI19

GAUGE: _____ STRETCH-OUT: 20"

COLOR: _____ # OF BREAKS: 1

LENGTH: 10'-0" QUANTITY: _____

PART NAME:

VENTED PITCH BREAK
 USED FOR SLOPES BETWEEN
 1/4:12 & 6:12

CUSTOMER: _____

JOB NAME: _____

AEPS ORDER #: _____

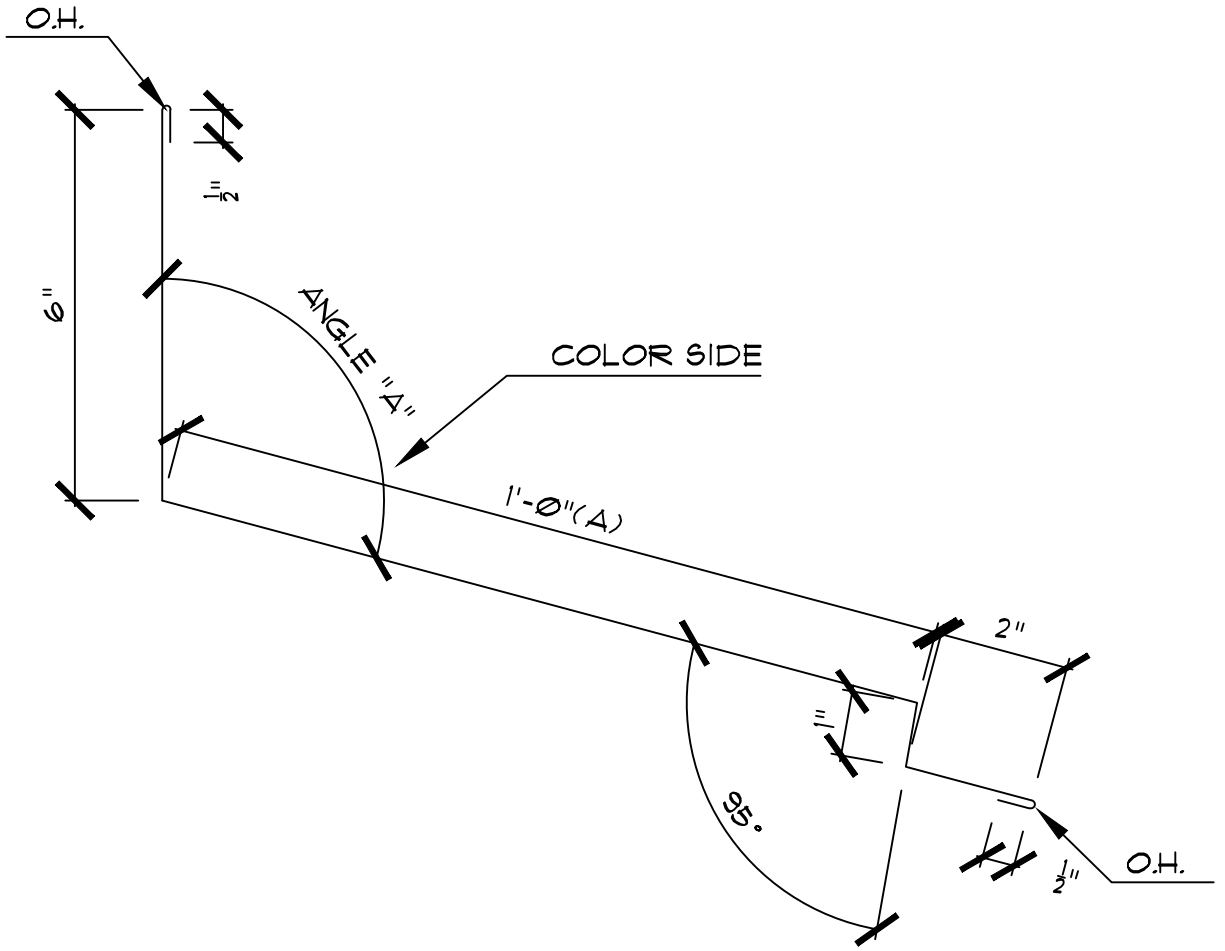
DRAWN BY: _____

DATE: _____

ACCEPTED BY: _____

DATE: _____





PART #: FBI21

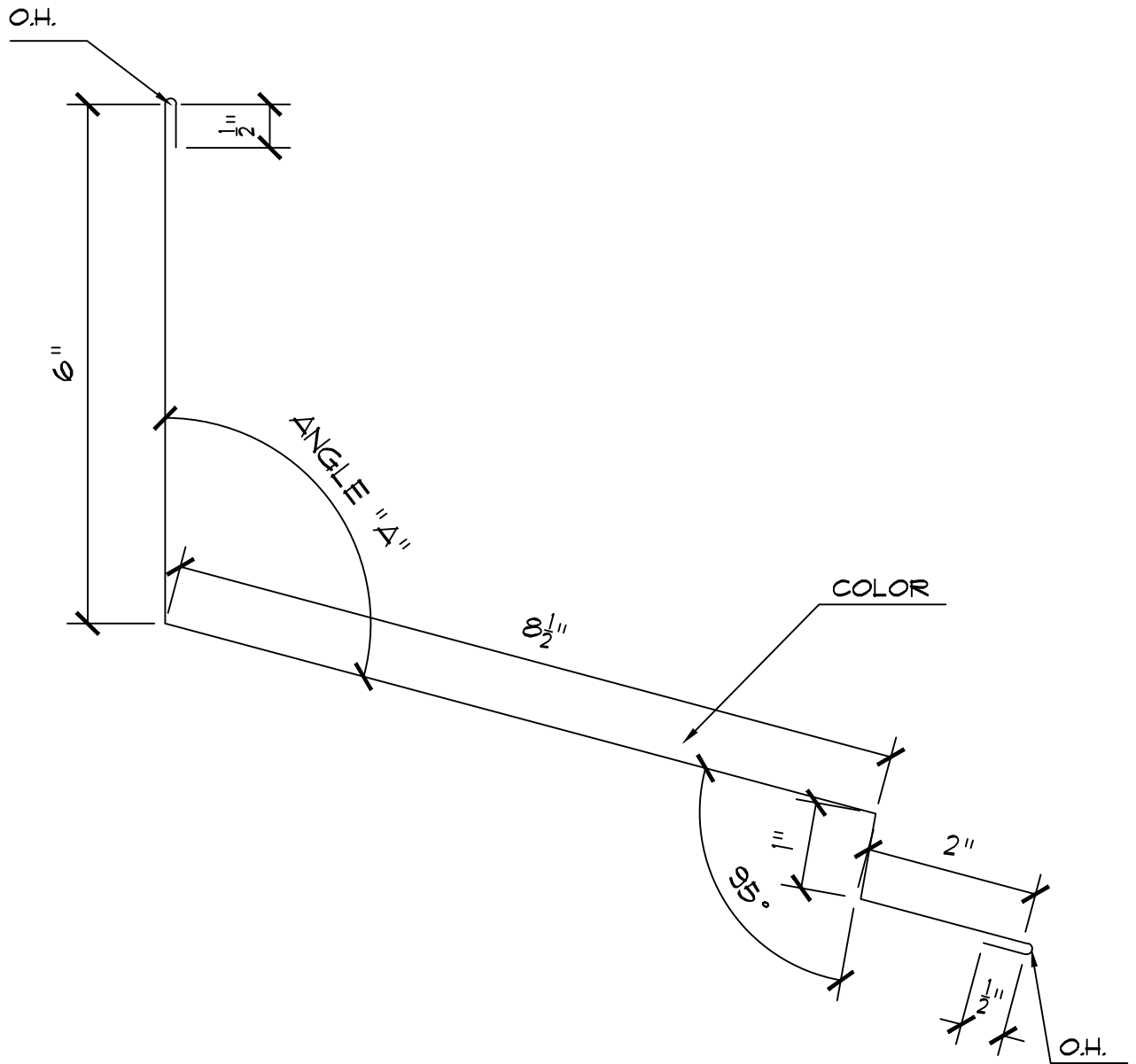
GAUGE: _____	STRETCH-OUT: <u>22"</u>
COLOR: _____	# OF BREAKS: <u>7</u>
LENGTH: <u>10'-0"</u>	QUANTITY: _____

PART NAME:
VENTED PITCH BREAK
 USED FOR SLOPES BETWEEN
 6 1/4:12 & 12:12

CUSTOMER: _____
 JOB NAME: _____
 AEPS ORDER #: _____

DRAWN BY: _____
 DATE: _____
 ACCEPTED BY: _____
 DATE: _____





PART #: FBI23

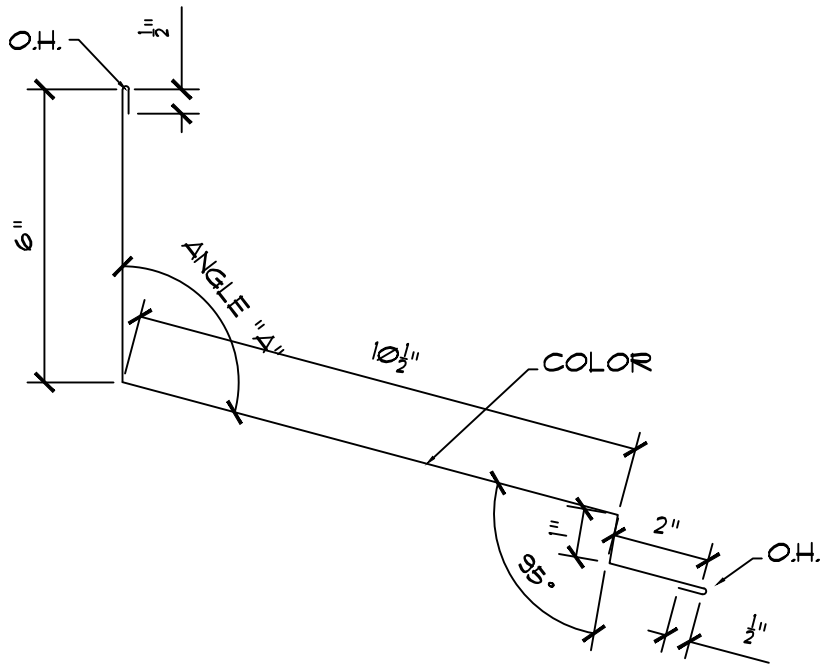
GAUGE: _____ STRETCH-OUT: 18 1/2"
 COLOR: _____ # OF BREAKS: 7
 LENGTH: 10'-0" QUANTITY: _____

PART NAME:
NON-VENTED PITCH BREAK
 (GRID-FRAMING) W/SLOPES
 BETWEEN 1/4:12 & 6:12

CUSTOMER: _____
 JOB NAME: _____
 AEPS ORDER #: _____

DRAWN BY: _____
 DATE: _____
 ACCEPTED BY: _____
 DATE: _____





PART #: PB125

PART NAME:

NON-VENTED PITCHBREAK

(GRID-FRAMING) W/SLOPES
BETWEEN 6 1/4:12 & 12:12

GAUGE: _____ STRETCH-OUT: 20 1/2"

COLOR: _____ # OF BREAKS: 7

LENGTH: 10'-0" QUANTITY: _____

CUSTOMER: _____

JOB NAME: _____

AEPS ORDER #: _____

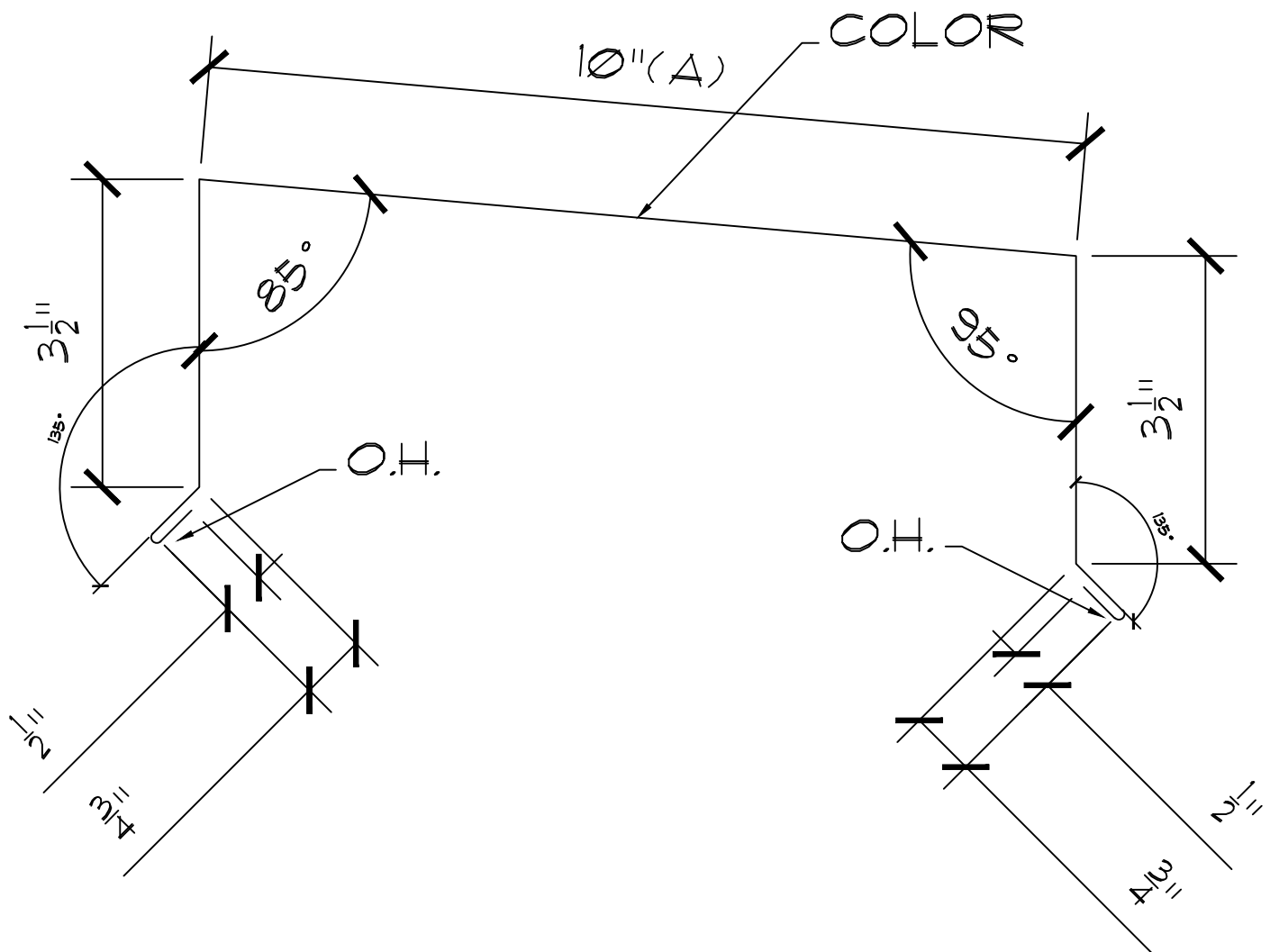
DRAWN BY: _____

DATE: _____

ACCEPTED BY: _____

DATE: _____





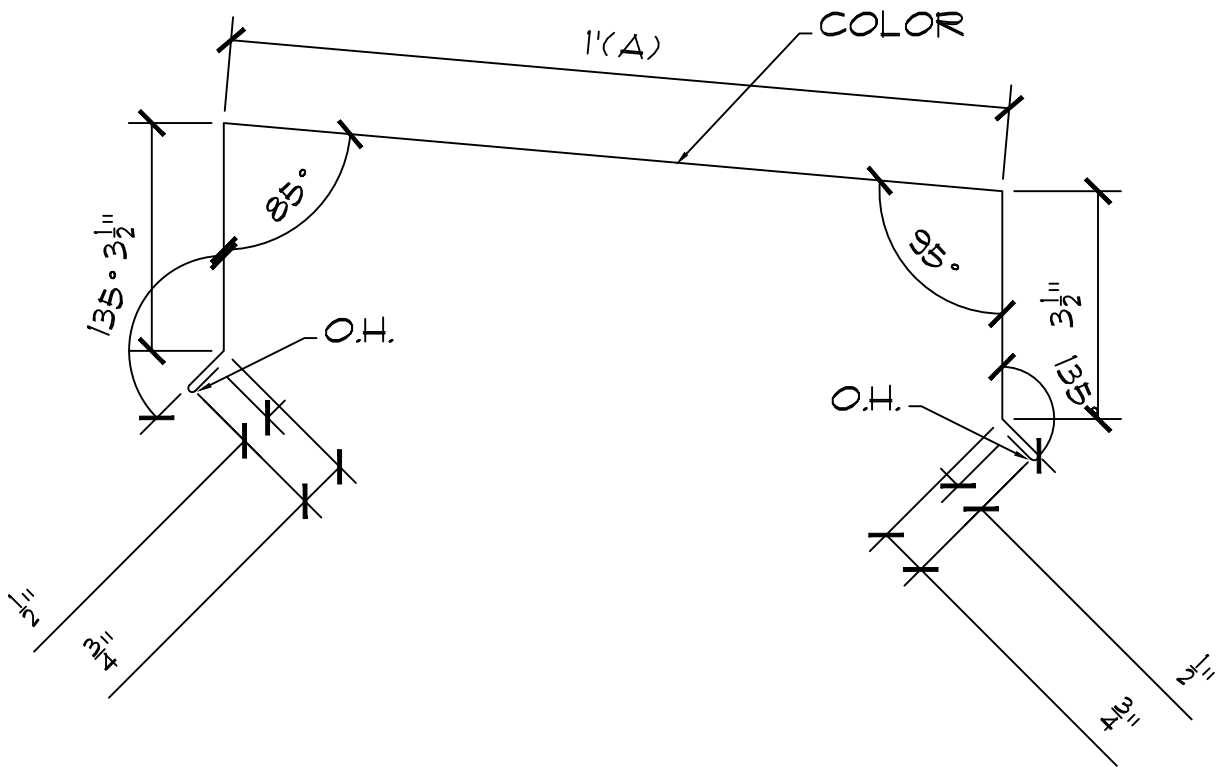
GAUGE: _____	STRETCH-OUT: <u>19 1/2"</u>
COLOR: _____	# OF BREAKS: <u>8</u>
LENGTH: <u>10'-0'</u>	QUANTITY: _____

PART #: PCI29
 PART NAME:
(PARAPET) COPING CAP

CUSTOMER: _____
 JOB NAME: _____
 AEPS ORDER #: _____

DRAWN BY: _____
 DATE: _____
 ACCEPTED BY: _____
 DATE: _____

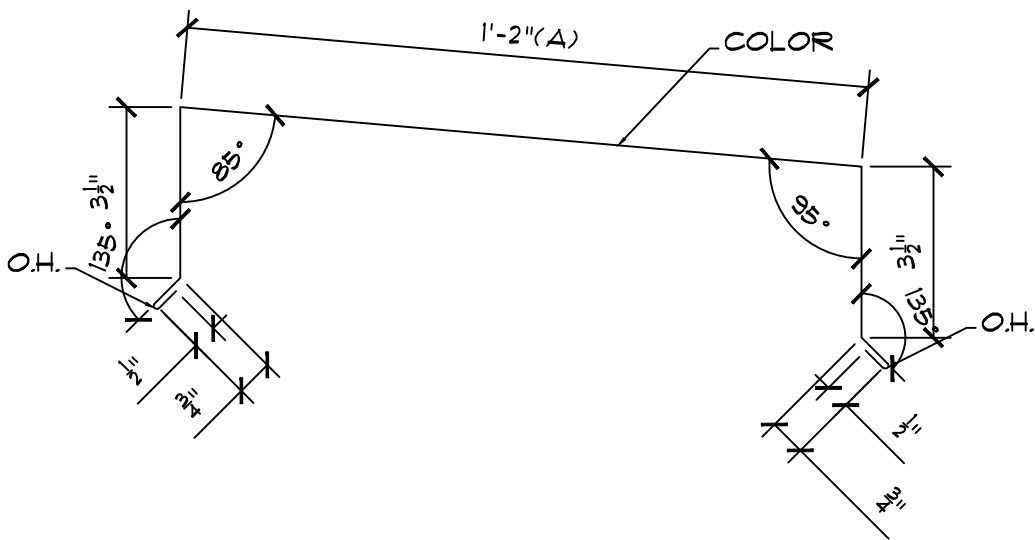




GAUGE: _____	STRETCH-OUT: <u>21 1/2"</u>	PART #: <u>PC131</u>
COLOR: _____	# OF BREAKS: <u>8</u>	PART NAME:
LENGTH: <u>10'-0"</u>	QUANTITY: _____	<u>(PARAPET) COPING CAP</u>

CUSTOMER: _____	DRAWN BY: _____
JOB NAME: _____	DATE: _____
AEPS ORDER #: _____	ACCEPTED BY: _____
	DATE: _____





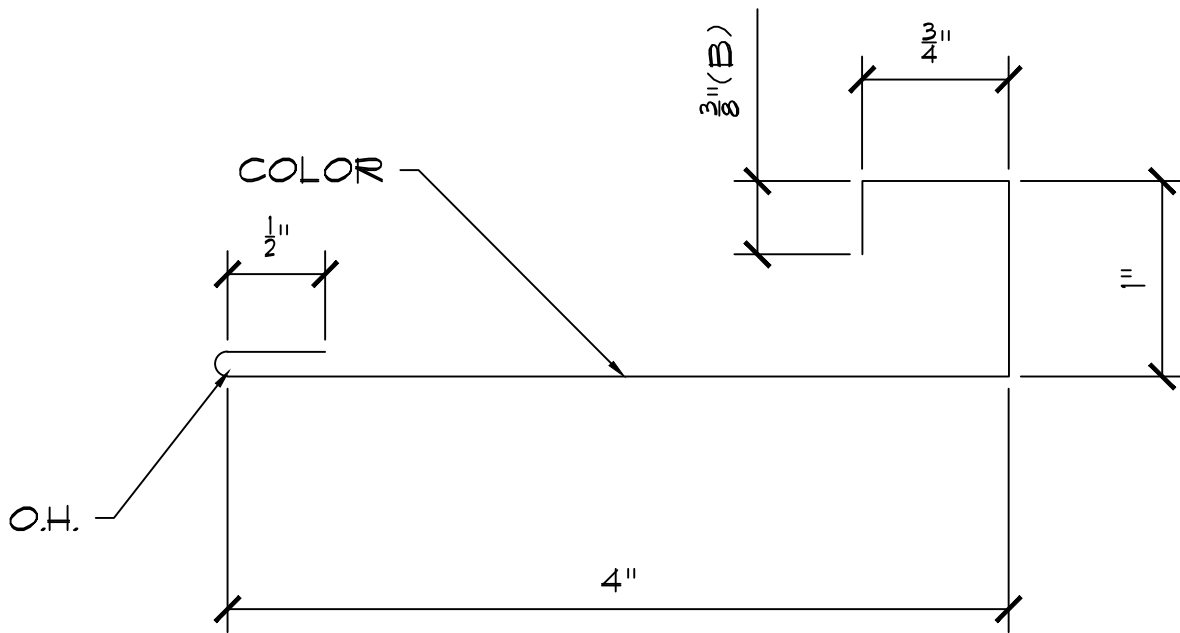
GAUGE: _____ STRETCH-OUT: 23 1/2"
 COLOR: _____ # OF BREAKS: 8
 LENGTH: 10'-0" QUANTITY: _____

PART #: PC133
 PART NAME:
PARAPET COPING CAP

CUSTOMER: _____
 JOB NAME: _____
 AEPS ORDER #: _____

DRAWN BY: _____
 DATE: _____
 ACCEPTED BY: _____
 DATE: _____

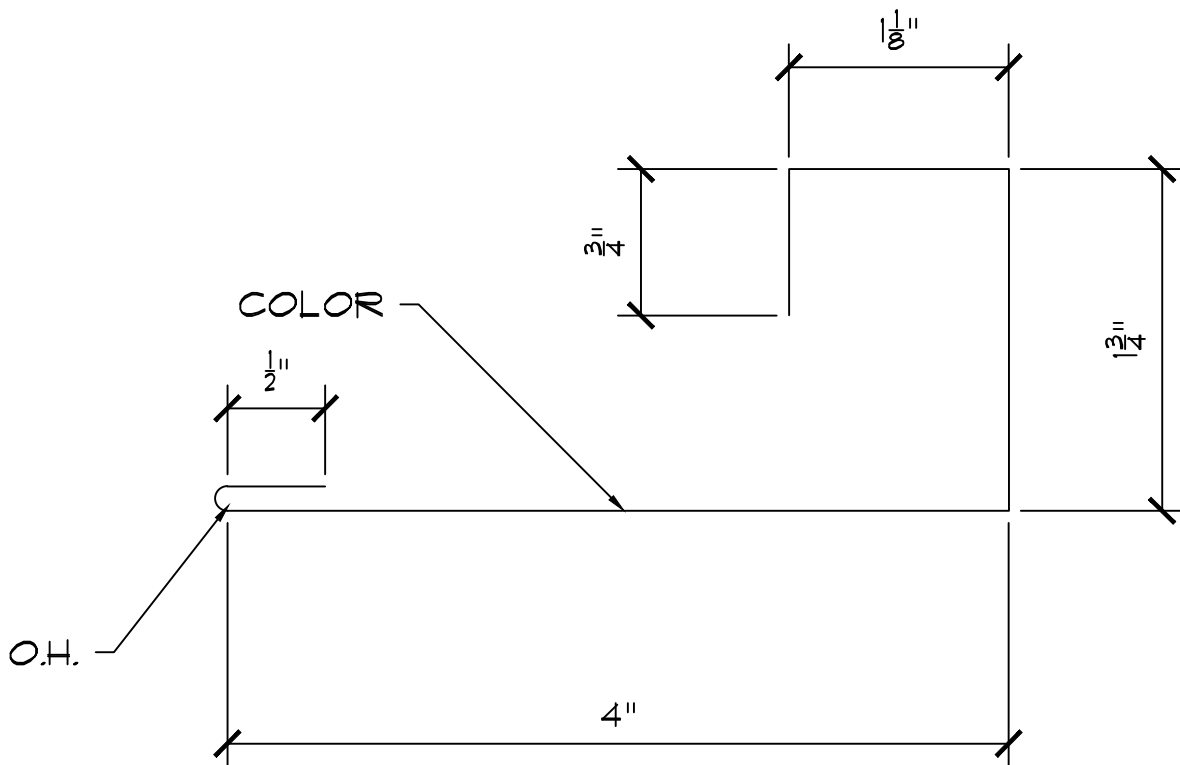




GAUGE: _____	STRETCH-OUT: <u>6 5/8"</u>	PART #: <u>PR135</u>
COLOR: _____	# OF BREAKS: <u>5</u>	PART NAME: _____
LENGTH: <u>10'-0"</u>	QUANTITY: _____	<u>PANEL RECEIVER</u>

CUSTOMER: _____	DRAWN BY: _____
JOB NAME: _____	DATE: _____
AEPS ORDER #: _____	ACCEPTED BY: _____
	DATE: _____

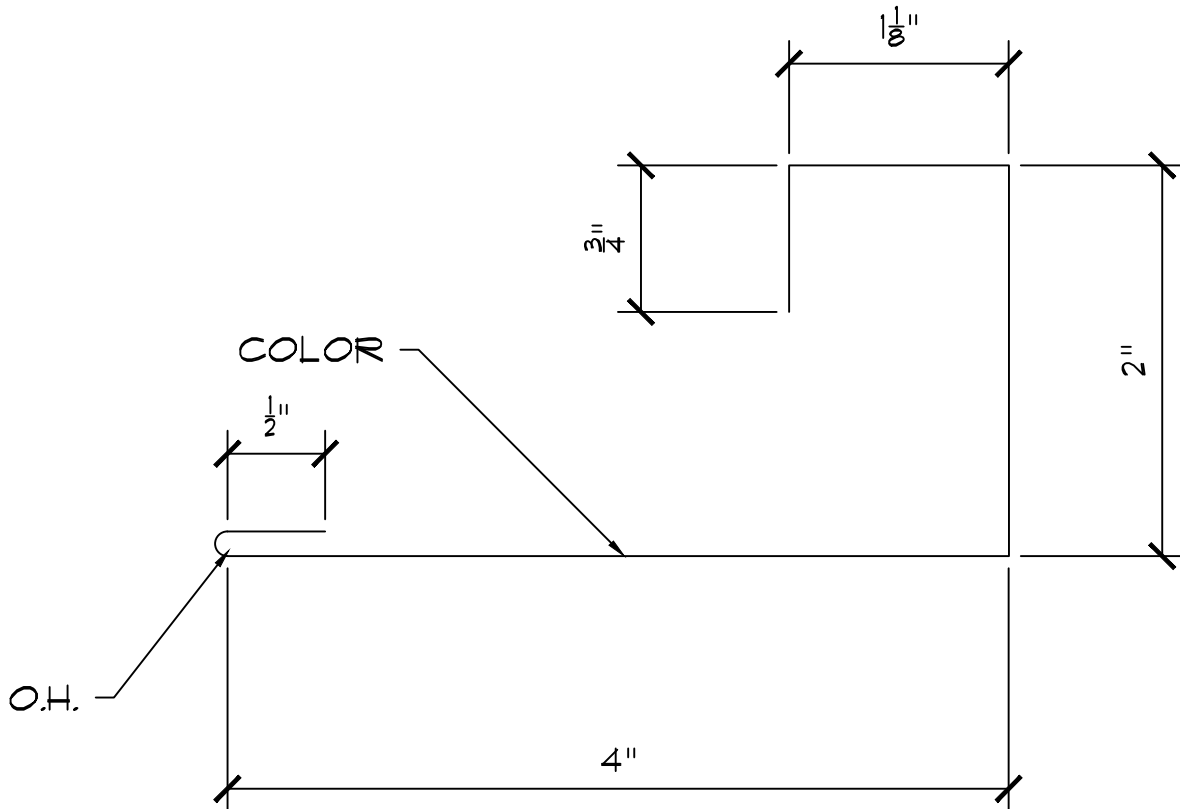




GAUGE: _____	STRETCH-OUT: <u>8 1/8"</u>	PART #: <u>PR138</u>
COLOR: _____	# OF BREAKS: <u>5</u>	PART NAME:
LENGTH: <u>10'-0"</u>	QUANTITY: _____	<u>PANEL RECEIVER</u>

CUSTOMER: _____ JOB NAME: _____ AEPS ORDER #: _____	DRAWN BY: _____ DATE: _____
	ACCEPTED BY: _____ DATE: _____

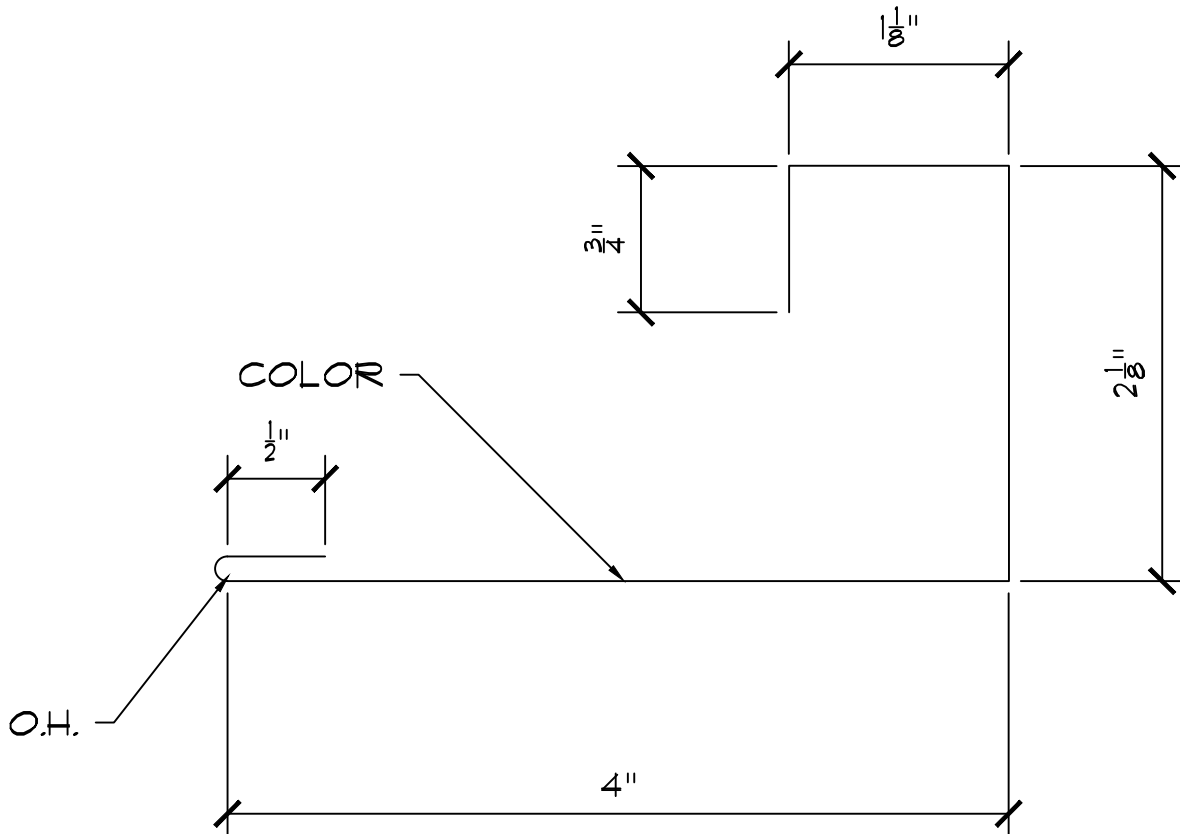




GAUGE: _____	STRETCH-OUT: <u>8 3/8"</u>	PART #: <u>PR139</u>
COLOR: _____	# OF BREAKS: <u>5</u>	PART NAME:
LENGTH: <u>10'-0"</u>	QUANTITY: _____	<u>PANEL RECEIVER</u>

CUSTOMER: _____	DRAWN BY: _____
JOB NAME: _____	DATE: _____
AEPS ORDER #: _____	ACCEPTED BY: _____
	DATE: _____

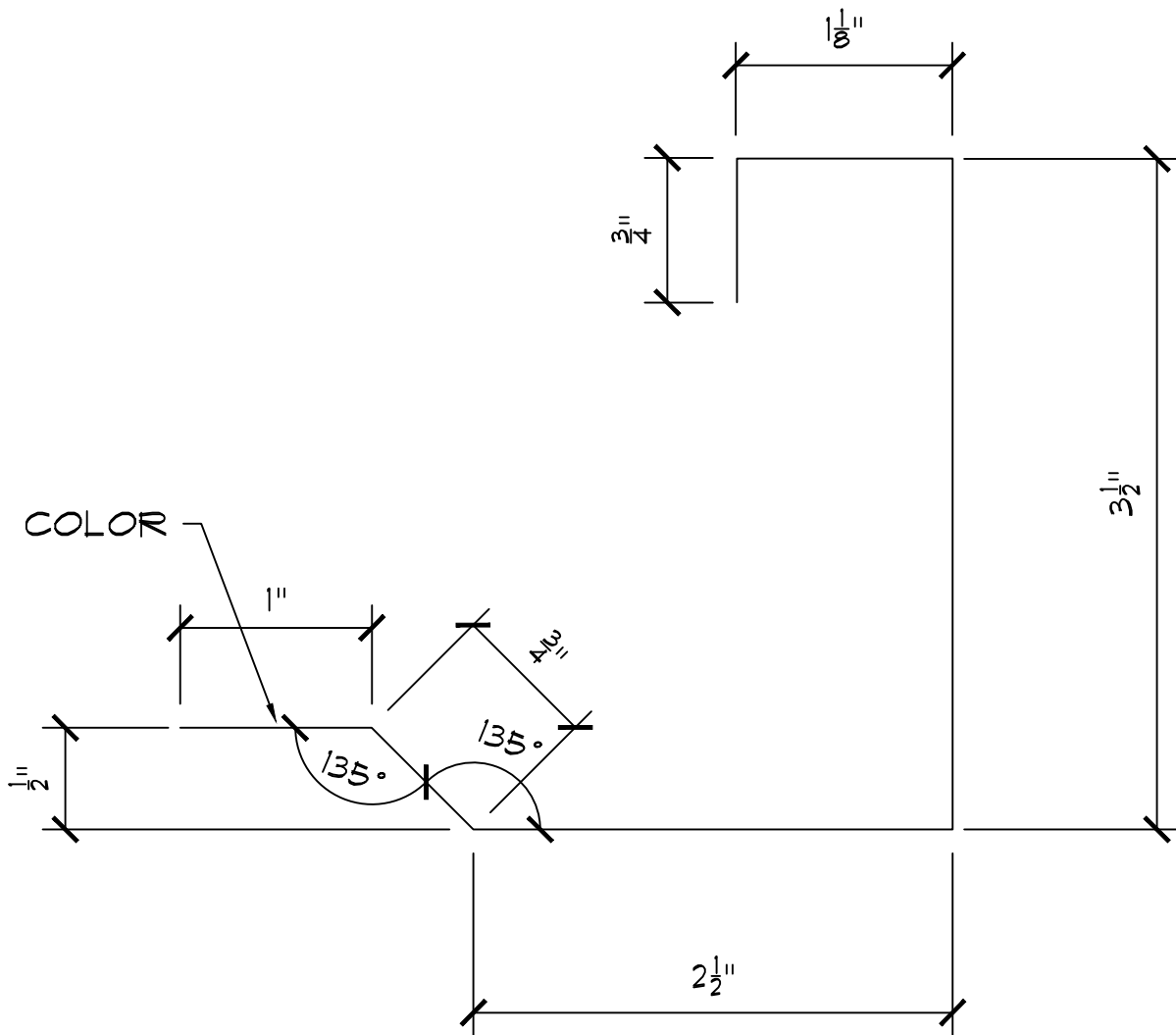




GAUGE: _____	STRETCH-OUT: <u>8 1/2"</u>	PART #: <u>PRI45</u>
COLOR: _____	# OF BREAKS: <u>5</u>	PART NAME:
LENGTH: <u>10'-0"</u>	QUANTITY: _____	<u>PANEL RECEIVER</u>

CUSTOMER: _____	DRAWN BY: _____
JOB NAME: _____	DATE: _____
AEPS ORDER #: _____	ACCEPTED BY: _____
	DATE: _____

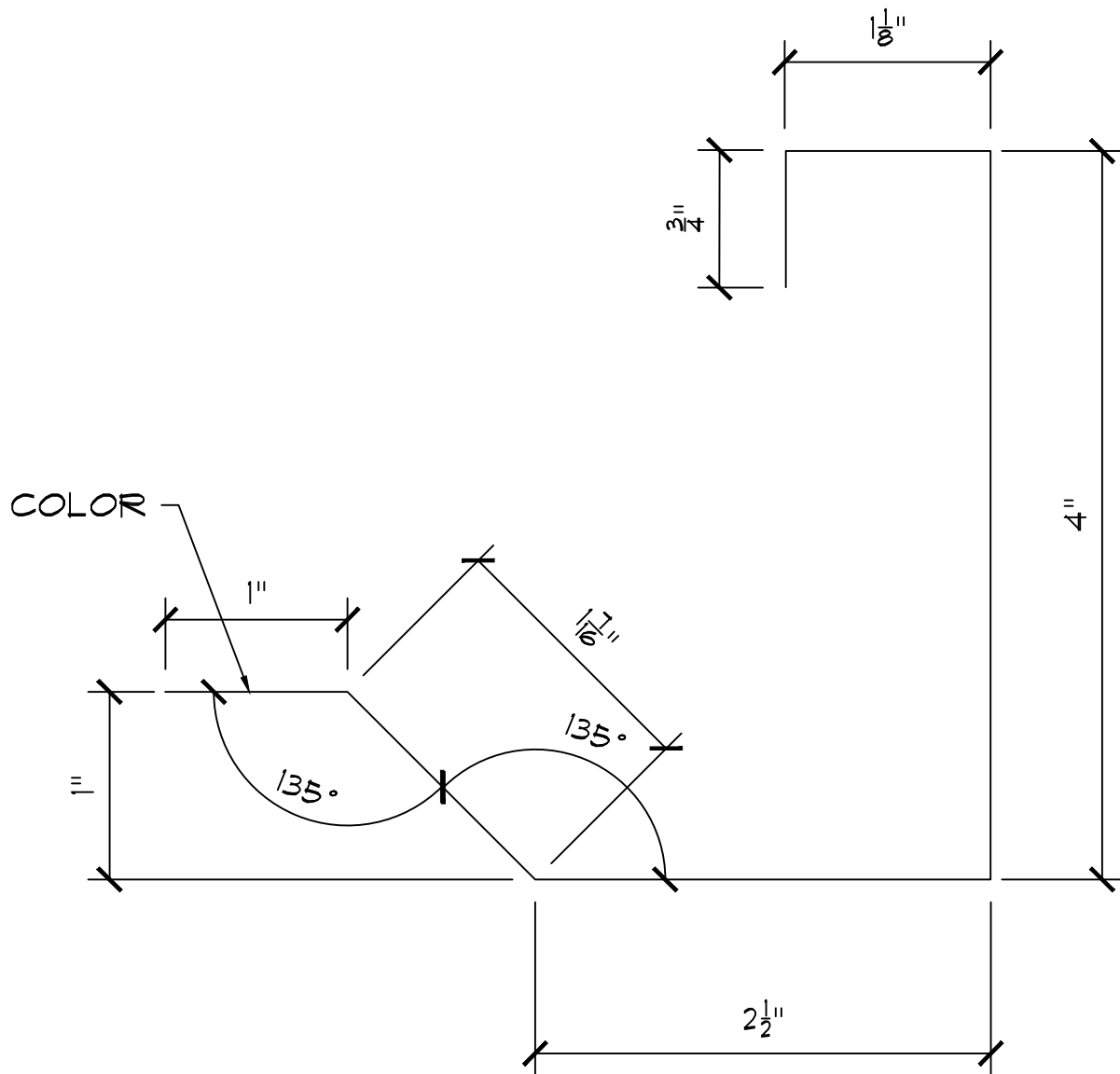




GAUGE: _____	STRETCH-OUT: <u>9 5/8"</u>	PART #: <u>PRI43</u>
COLOR: _____	# OF BREAKS: <u>5</u>	PART NAME:
LENGTH: <u>10'-0"</u>	QUANTITY: _____	<u>OFFSET PANEL RECEIVER</u>

CUSTOMER: _____	DRAWN BY: _____
JOB NAME: _____	DATE: _____
AEPS ORDER #: _____	ACCEPTED BY: _____
	DATE: _____





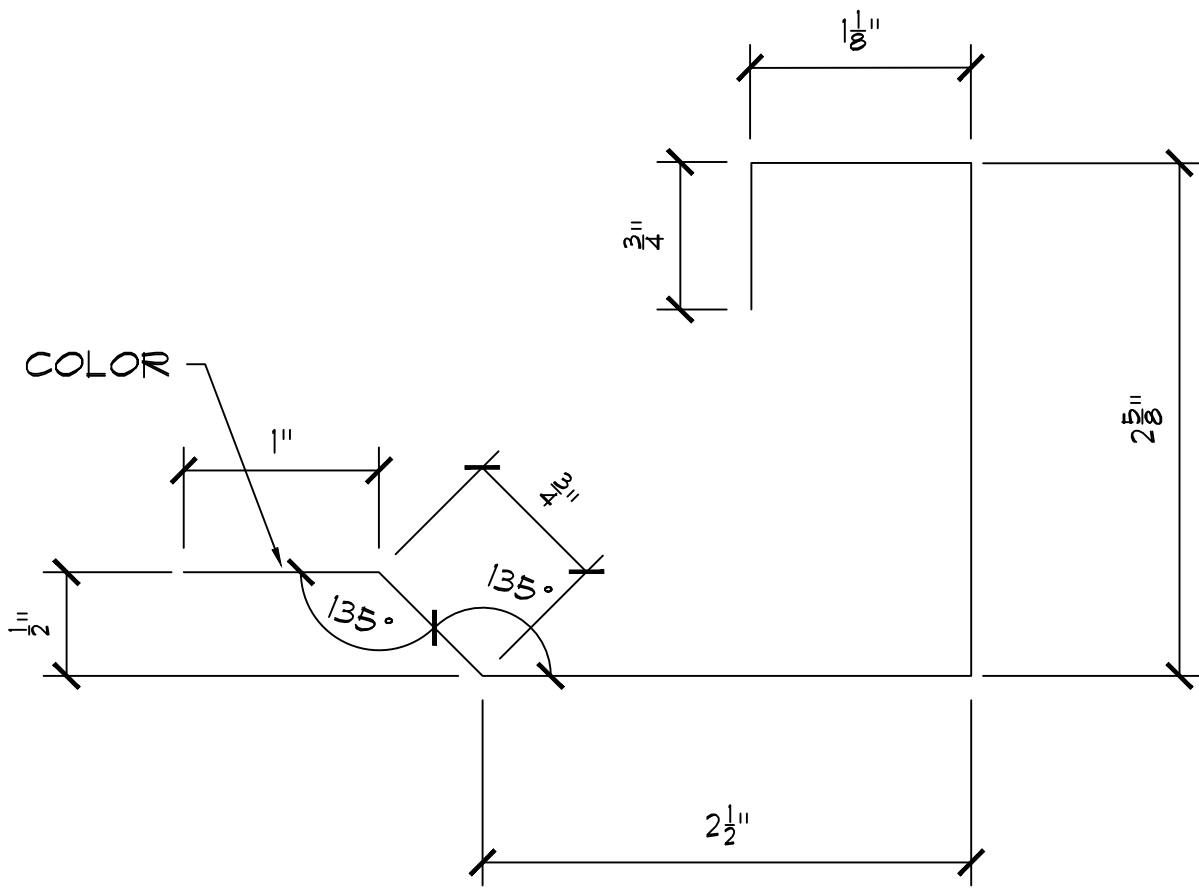
GAUGE: _____ STRETCH-OUT: 10 13/16"
 COLOR: _____ # OF BREAKS: 5
 LENGTH: 10'-0" QUANTITY: _____

PART #: PRI44
 PART NAME:
OFFSET PANEL RECEIVER

CUSTOMER: _____
 JOB NAME: _____
 AEPS ORDER #: _____

DRAWN BY: _____
 DATE: _____
 ACCEPTED BY: _____
 DATE: _____





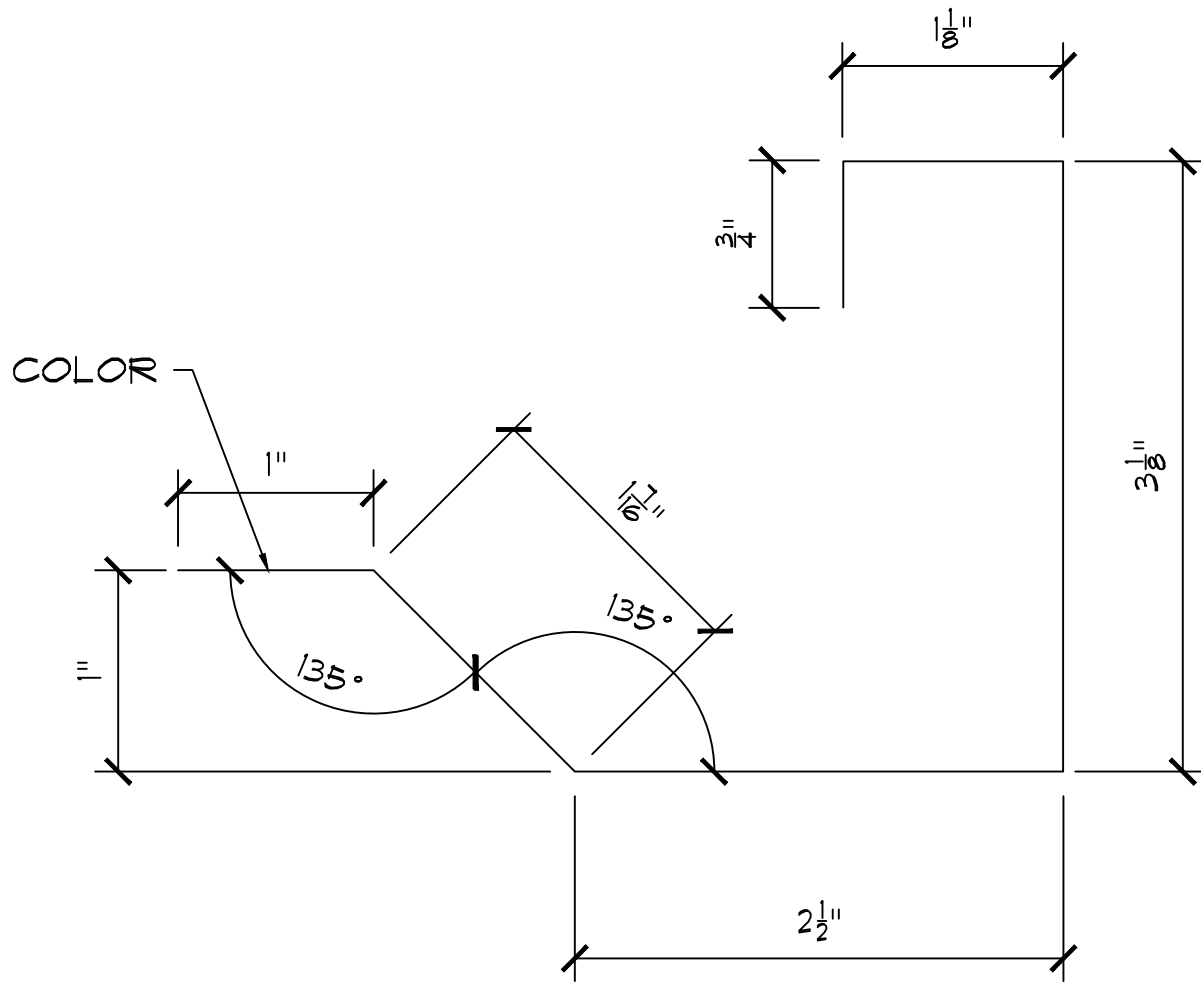
GAUGE: _____ STRETCH-OUT: 8 3/4"
 COLOR: _____ # OF BREAKS: 5
 LENGTH: 10'-0" QUANTITY: _____

PART #: PRI46
 PART NAME:
OFFSET PANEL RECEIVER

CUSTOMER: _____
 JOB NAME: _____
 AEPS ORDER #: _____

DRAWN BY: _____
 DATE: _____
 ACCEPTED BY: _____
 DATE: _____

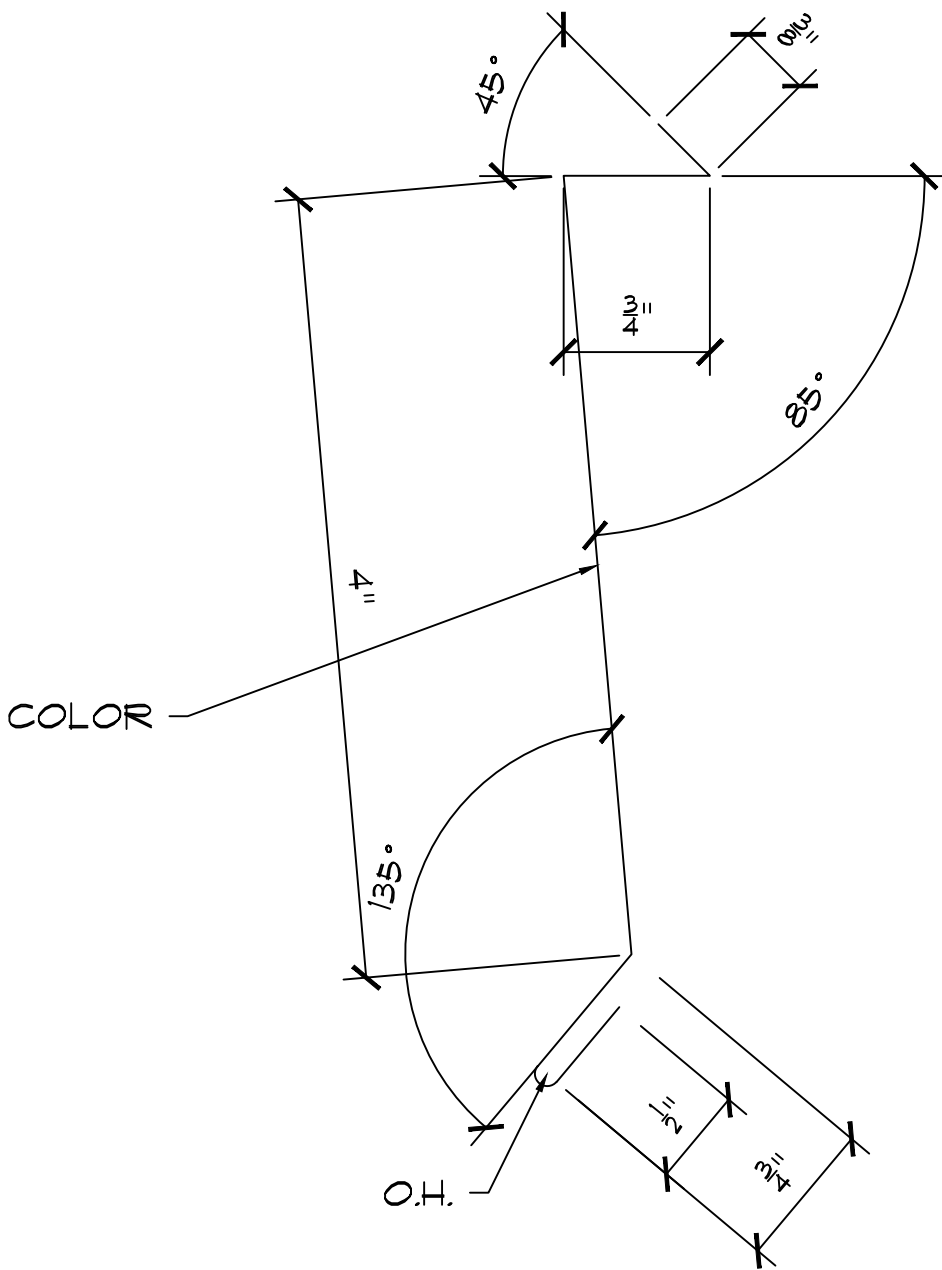




GAUGE: _____	STRETCH-OUT: <u>9 15/16"</u>	PART #: <u>PRI47</u>
COLOR: _____	# OF BREAKS: <u>5</u>	PART NAME: _____
LENGTH: <u>10'-0"</u>	QUANTITY: _____	<u>PANEL RECEIVER</u>

CUSTOMER: _____	DRAWN BY: _____
JOB NAME: _____	DATE: _____
AEPS ORDER #: _____	ACCEPTED BY: _____
	DATE: _____

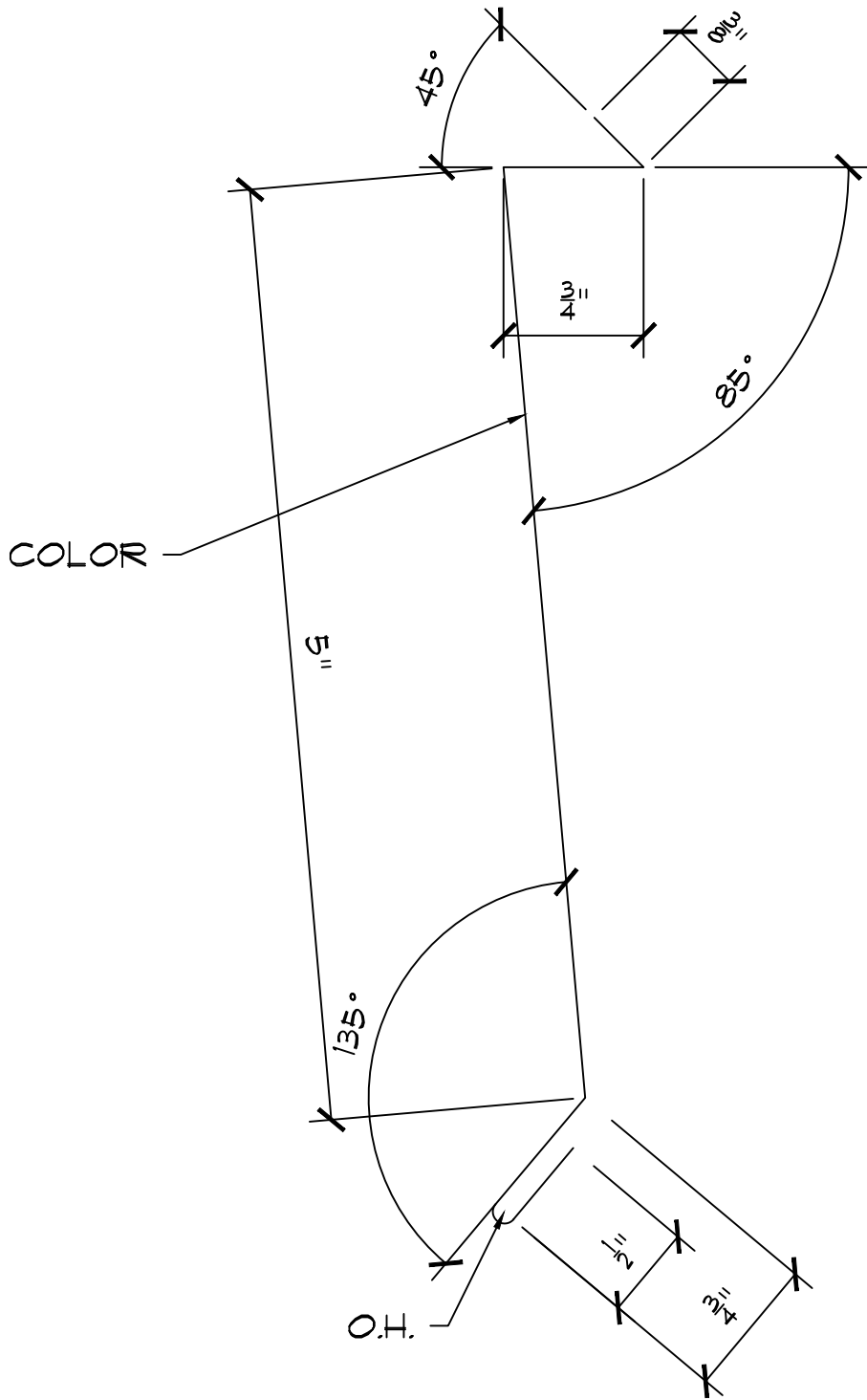




GAUGE: _____	STRETCH-OUT: <u>6 3/8"</u>	PART #: <u>RG145</u>
COLOR: _____	# OF BREAKS: <u>5</u>	PART NAME: _____
LENGTH: <u>10'-0"</u>	QUANTITY: _____	<u>SAW CUT REGLET</u>

CUSTOMER: _____	DRAWN BY: _____
JOB NAME: _____	DATE: _____
AEPS ORDER #: _____	ACCEPTED BY: _____
	DATE: _____





GAUGE: _____	STRETCH-OUT: <u>7 3/8"</u>
COLOR: _____	# OF BREAKS: <u>5</u>
LENGTH: <u>10'-0"</u>	QUANTITY: _____

PART #: RG147

PART NAME: SAW CUT REGLET

CUSTOMER: _____

JOB NAME: _____

AEPS ORDER #: _____

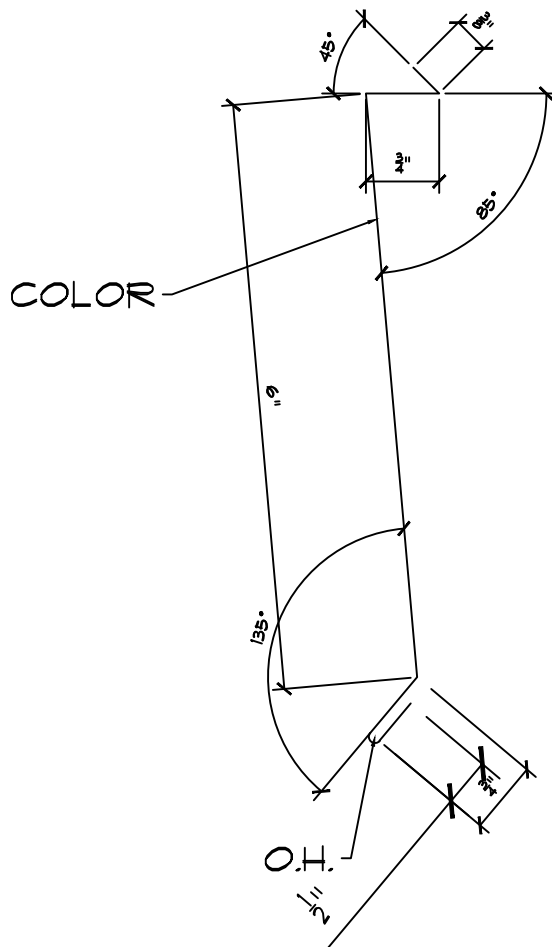
DRAWN BY: _____

DATE: _____

ACCEPTED BY: _____

DATE: _____

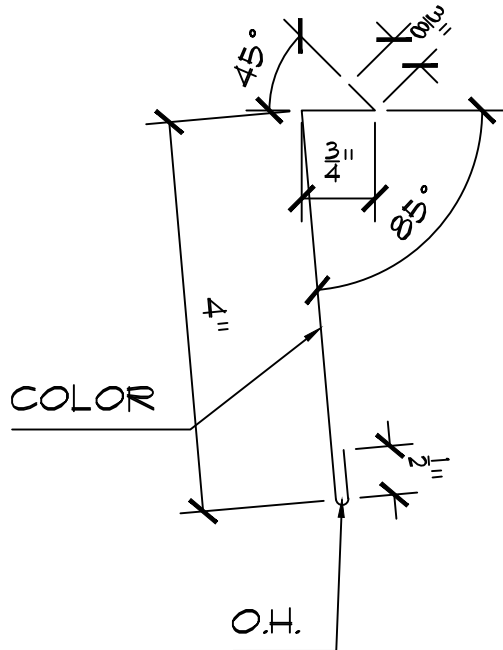




GAUGE: _____	STRETCH-OUT: <u>8 3/8"</u>	PART #: <u>RG149</u>
COLOR: _____	# OF BREAKS: <u>5</u>	PART NAME:
LENGTH: <u>10'-0"</u>	QUANTITY: _____	<u>SAW CUT REGLET</u>

CUSTOMER: _____ JOB NAME: _____ AEPS ORDER #: _____	DRAWN BY: _____ DATE: _____
	ACCEPTED BY: _____ DATE: _____

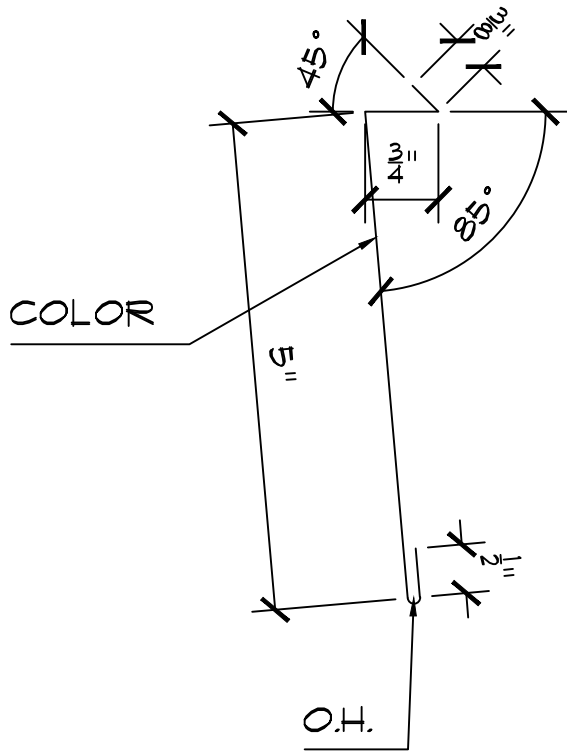




GAUGE: _____	STRETCH-OUT: <u>5 5/8"</u>	PART #: <u>RG151</u>
COLOR: _____	# OF BREAKS: <u>4</u>	PART NAME:
LENGTH: <u>10'-0"</u>	QUANTITY: _____	<u>SAW CUT REGLET</u>

CUSTOMER: _____	DRAWN BY: _____
JOB NAME: _____	DATE: _____
AEPS ORDER #: _____	ACCEPTED BY: _____
	DATE: _____

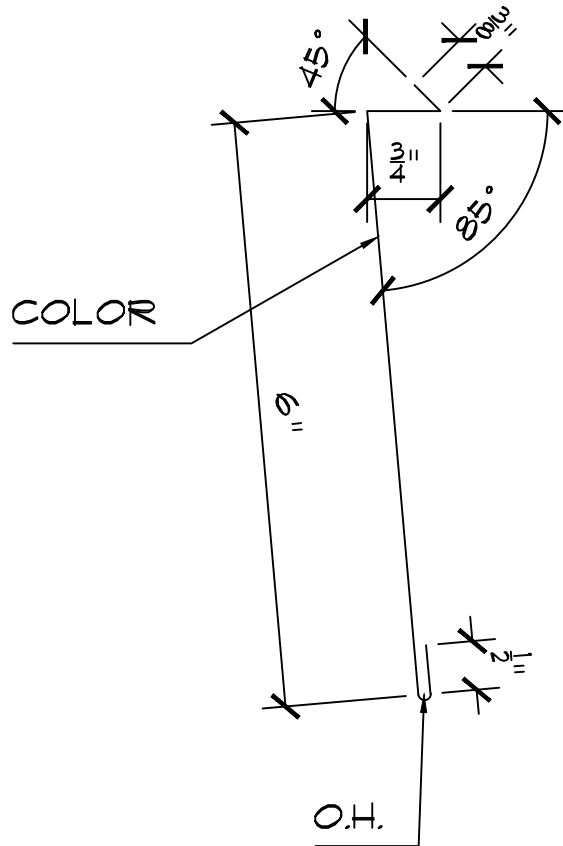




GAUGE: _____	STRETCH-OUT: <u>6 5/8''</u>	PART #: <u>RG153</u>
COLOR: _____	# OF BREAKS: <u>4</u>	PART NAME:
LENGTH: <u>10'-0''</u>	QUANTITY: _____	<u>SAW CUT REGLET</u>

CUSTOMER: _____	DRAWN BY: _____
JOB NAME: _____	DATE: _____
AEPS ORDER #: _____	ACCEPTED BY: _____
	DATE: _____

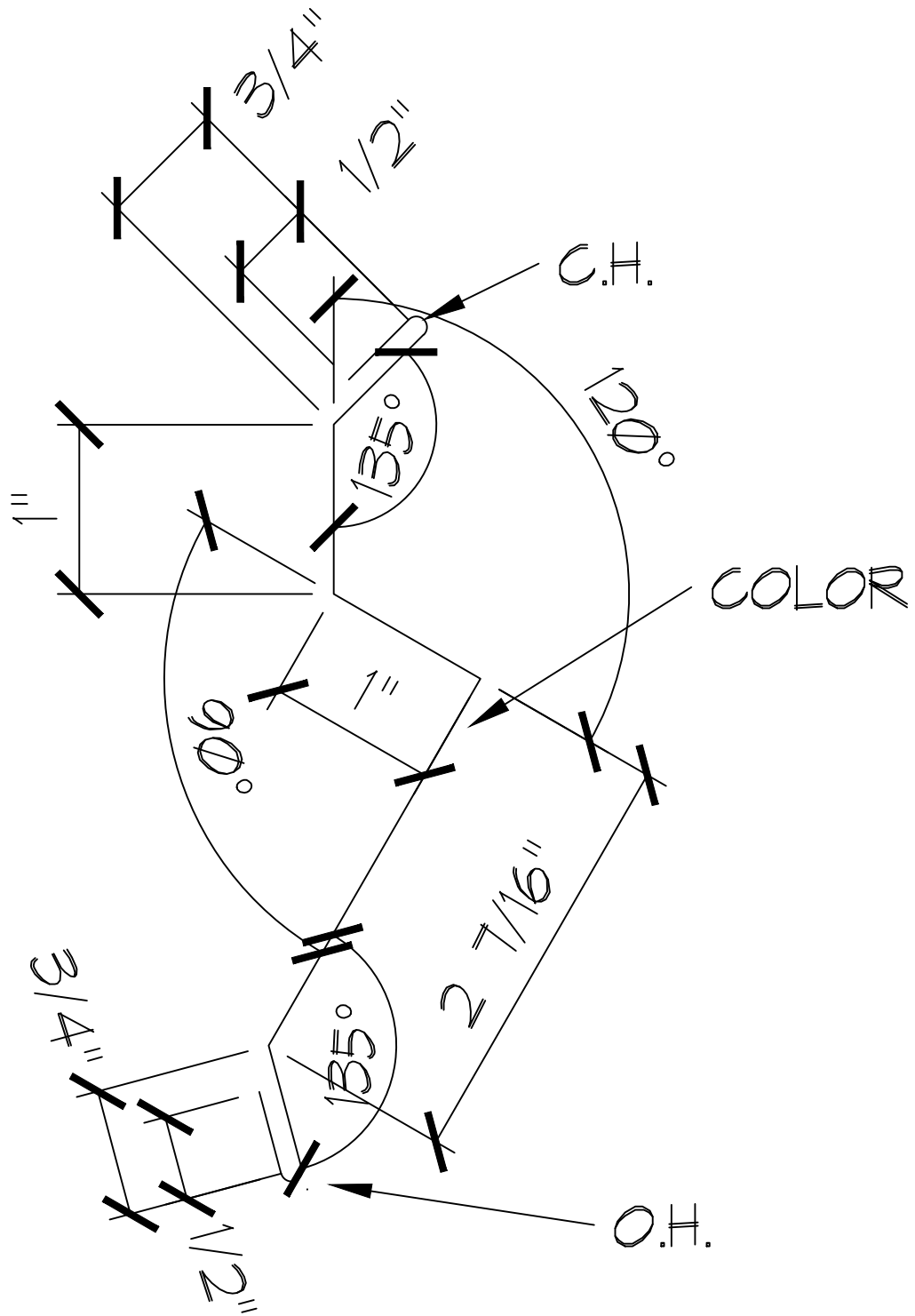




GAUGE: _____	STRETCH-OUT: <u>7 5/8"</u>	PART #: <u>RG155</u>
COLOR: _____	# OF BREAKS: <u>4</u>	PART NAME: _____
LENGTH: <u>10'-0"</u>	QUANTITY: _____	<u>SAW CUT REGLET</u>

CUSTOMER: _____ JOB NAME: _____ AEPS ORDER #: _____	DRAWN BY: _____ DATE: _____
	ACCEPTED BY: _____ DATE: _____





GAUGE: _____	STRETCH-OUT: <u>7"</u>
COLOR: _____	# OF BREAKS: <u>8</u>
LENGTH: <u>10'-0"</u>	QUANTITY: _____

PART #: RG157

PART NAME: SURFACE MOUNTED REGLET

CUSTOMER: _____

JOB NAME: _____

AEPS ORDER #: _____

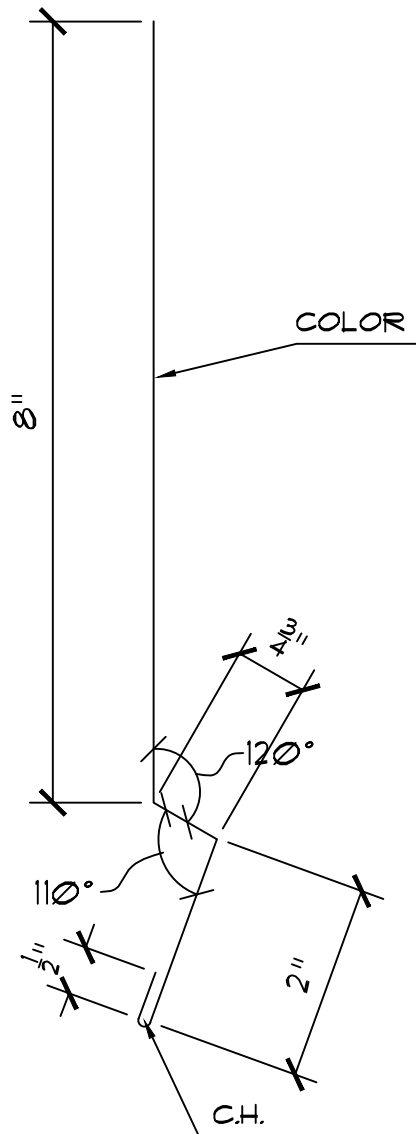
DRAWN BY: _____

DATE: _____

ACCEPTED BY: _____

DATE: _____





GAUGE: _____	STRETCH-OUT: <u>11 1/4"</u>
COLOR: _____	# OF BREAKS: <u>4</u>
LENGTH: <u>10'-0"</u>	QUANTITY: _____

PART #: RG160

PART NAME:
MASONARY BASE REGLET

CUSTOMER: _____

JOB NAME: _____

AEPS ORDER #: _____

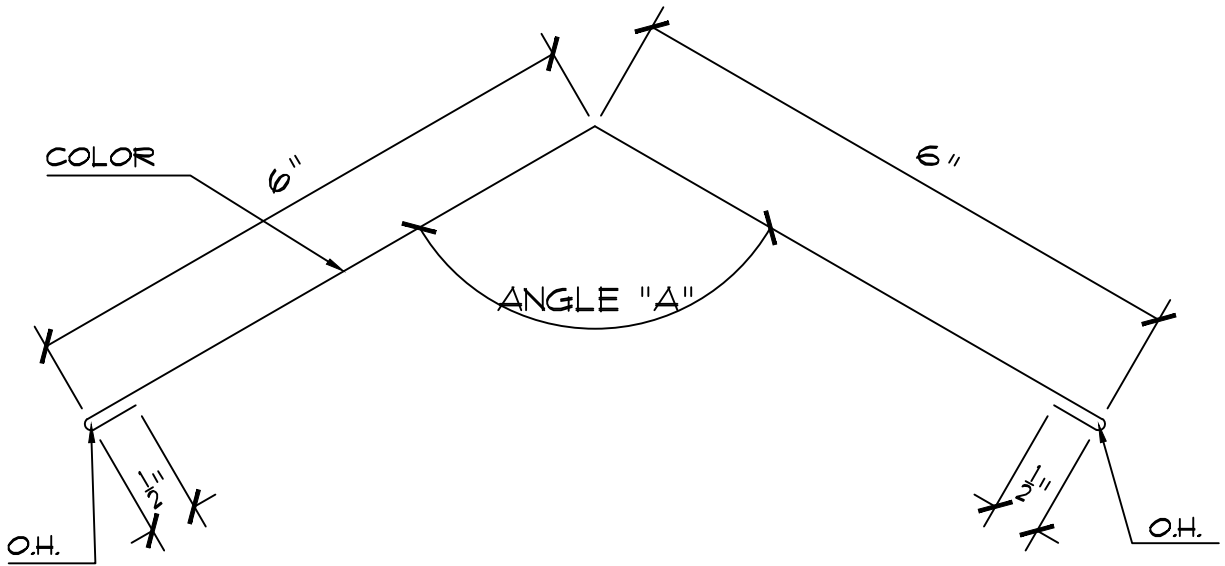
DRAWN BY: _____

DATE: _____

ACCEPTED BY: _____

DATE: _____

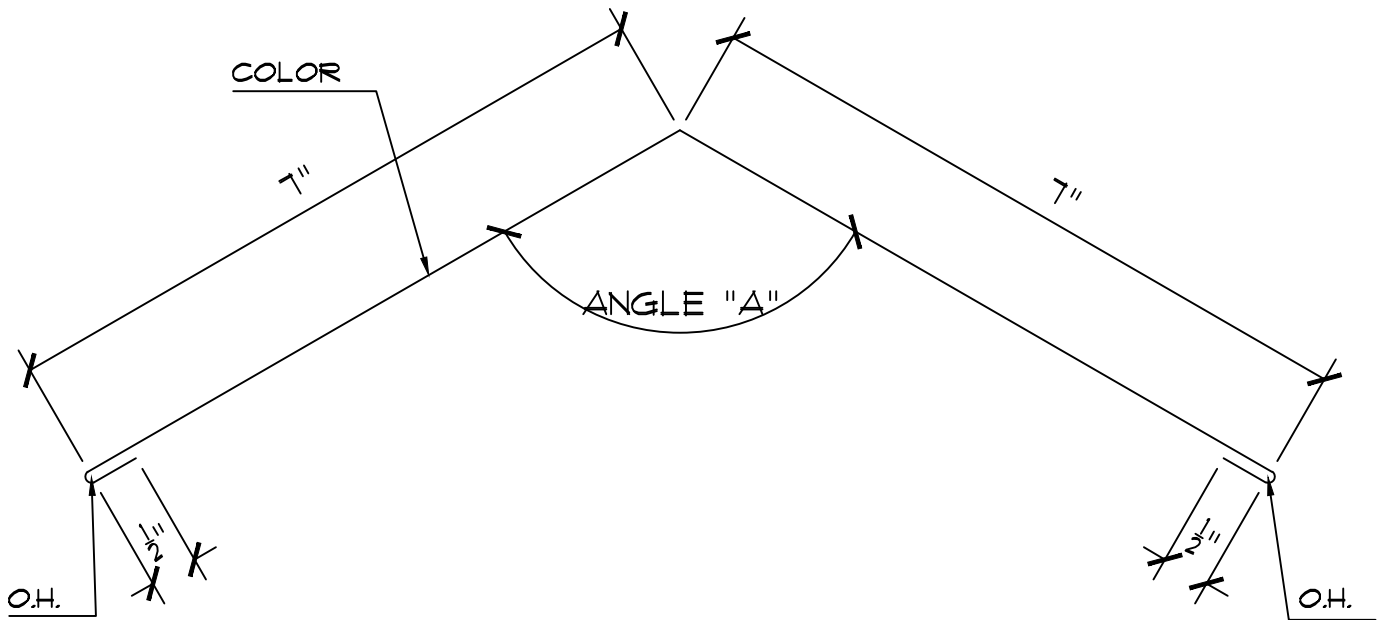




GAUGE: _____	STRETCH-OUT: <u>13"</u>	PART #: <u>RH162</u>
COLOR: _____	# OF BREAKS: <u>5</u>	PART NAME: _____
LENGTH: <u>10'-0"</u>	QUANTITY: _____	<u>RIDGE/HIP CAP</u>

CUSTOMER: _____	DRAWN BY: _____
JOB NAME: _____	DATE: _____
AEPS ORDER #: _____	ACCEPTED BY: _____
	DATE: _____





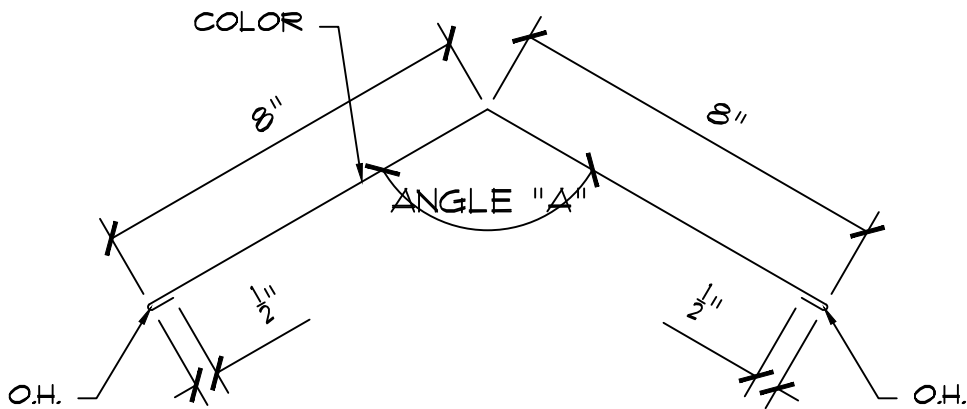
GAUGE: _____ STRETCH-OUT: 15"
 COLOR: _____ # OF BREAKS: 5
 LENGTH: 10'-0" QUANTITY: _____

PART #: RH164
 PART NAME:
RIDGE/HIP CAP

CUSTOMER: _____
 JOB NAME: _____
 AEPS ORDER #: _____

DRAWN BY: _____
 DATE: _____
 ACCEPTED BY: _____
 DATE: _____

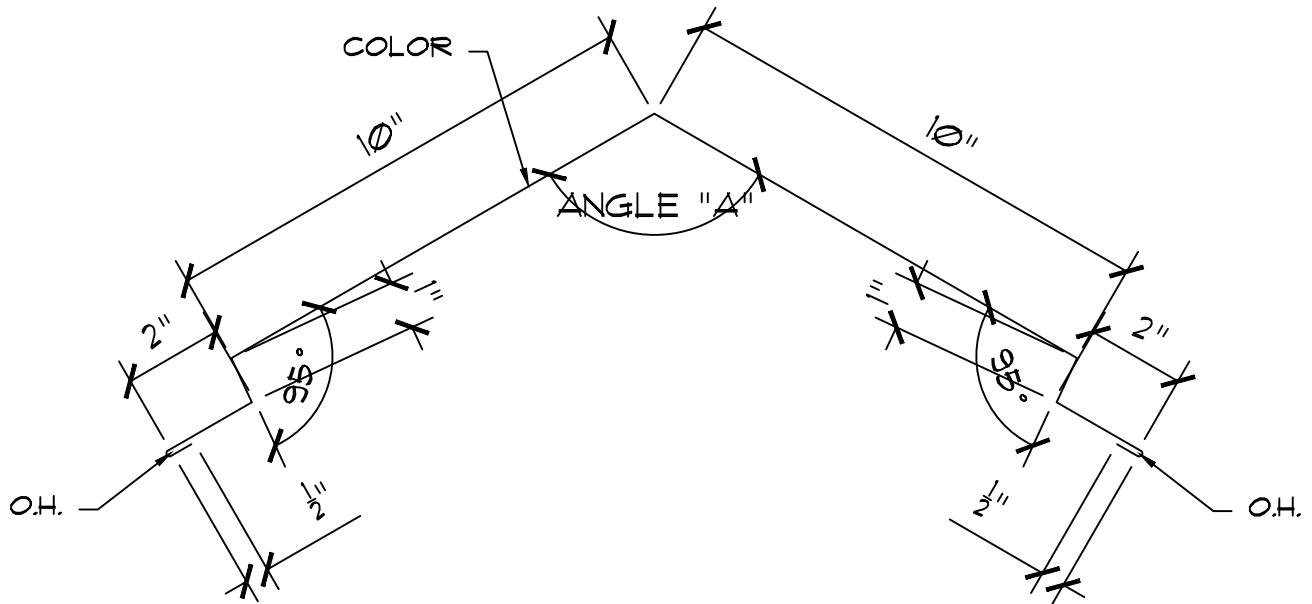




GAUGE: _____	STRETCH-OUT: <u>17"</u>	PART #: <u>RH166</u>
COLOR: _____	# OF BREAKS: <u>5</u>	PART NAME: _____
LENGTH: <u>10'-0"</u>	QUANTITY: _____	<u>RIDGE/HIP CAP</u>

CUSTOMER: _____	DRAWN BY: _____
JOB NAME: _____	DATE: _____
AEPS ORDER #: _____	ACCEPTED BY: _____
	DATE: _____





GAUGE: _____	STRETCH-OUT: <u>27"</u>
COLOR: _____	# OF BREAKS: <u>9</u>
LENGTH: <u>10'-0"</u>	QUANTITY: _____

PART #: RH168

PART NAME: VENTED RIDGE/HIP

CUSTOMER: _____

JOB NAME: _____

AEPS ORDER #: _____

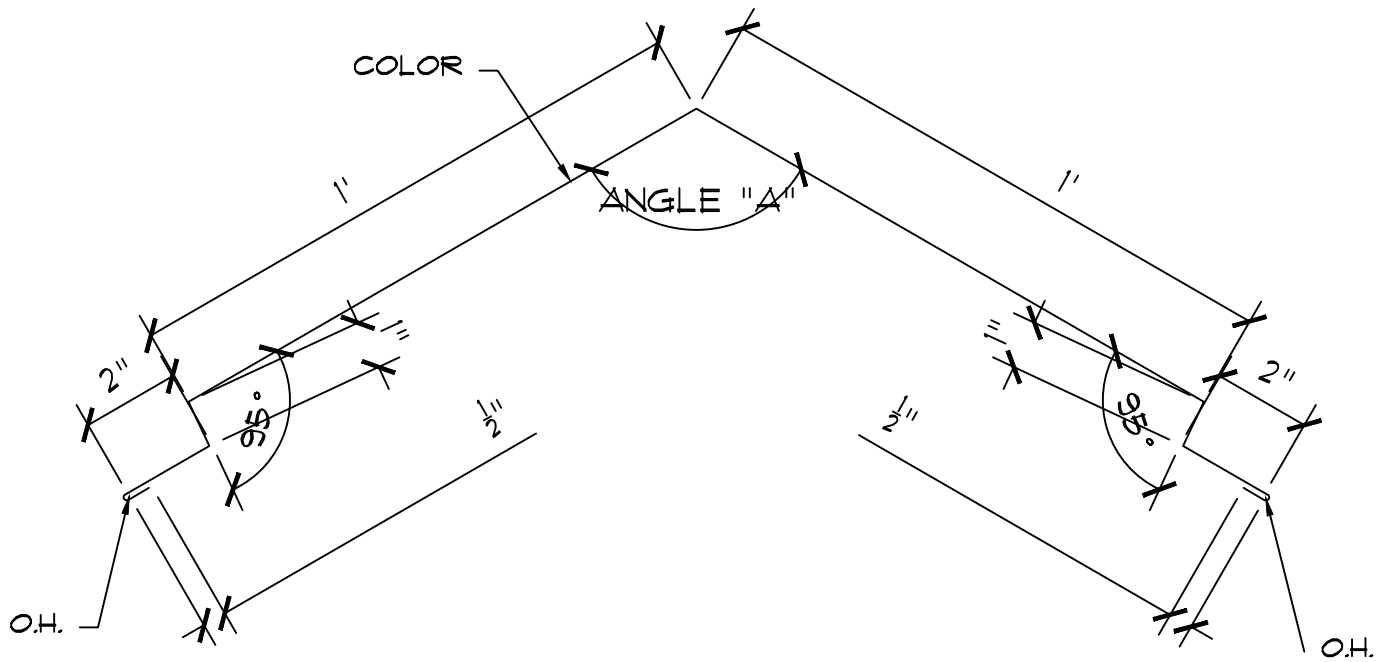
DRAWN BY: _____

DATE: _____

ACCEPTED BY: _____

DATE: _____

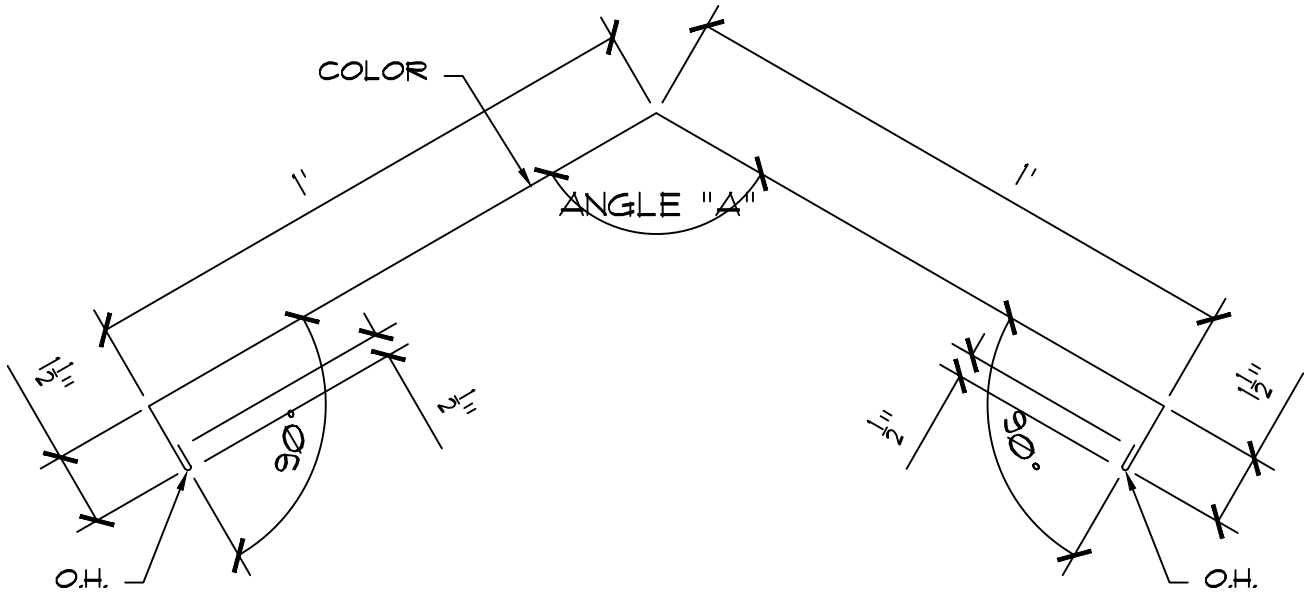




GAUGE: _____	STRETCH-OUT: <u>31"</u>	PART #: <u>RH10</u>
COLOR: _____	# OF BREAKS: <u>9</u>	PART NAME:
LENGTH: <u>10'-0"</u>	QUANTITY: _____	<u>VENTED RIDGE/HIP</u>

CUSTOMER: _____	DRAWN BY: _____
JOB NAME: _____	DATE: _____
AEPS ORDER #: _____	ACCEPTED BY: _____
	DATE: _____

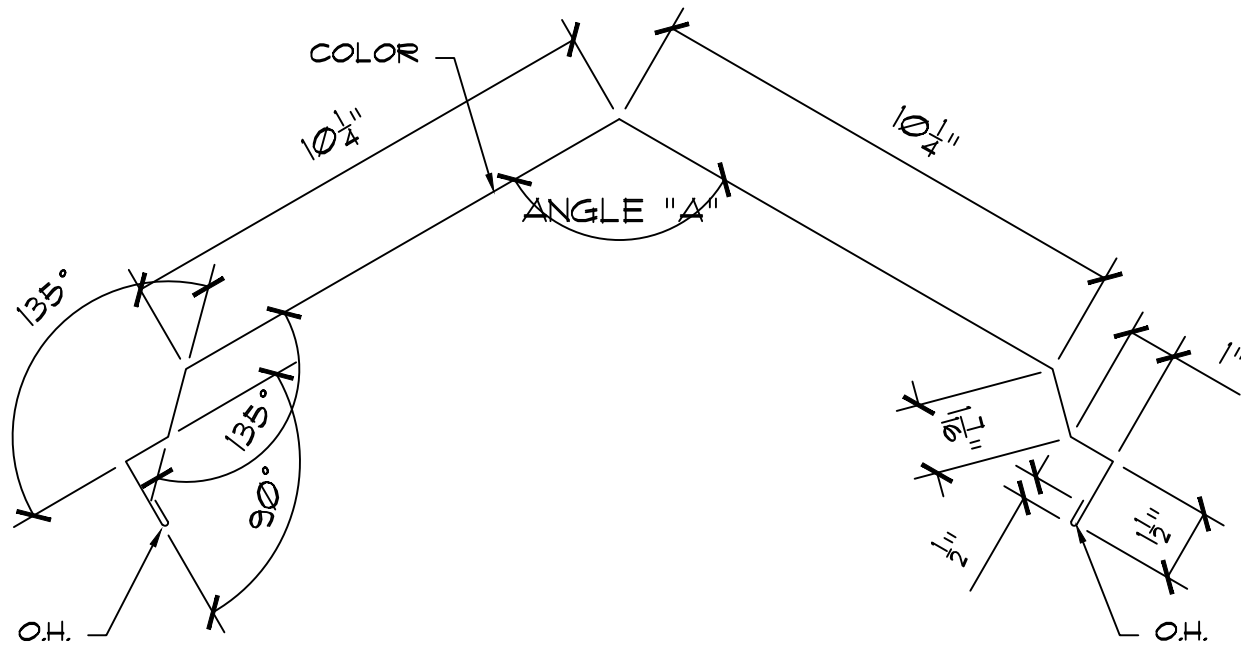




GAUGE: _____	STRETCH-OUT: <u>28"</u>	PART #: <u>RH172</u>
COLOR: _____	# OF BREAKS: <u>7</u>	PART NAME:
LENGTH: <u>10'-0"</u>	QUANTITY: _____	<u>VENTED FIXED RIDGE/HIP</u>

CUSTOMER: _____	DRAWN BY: _____
JOB NAME: _____	DATE: _____
AEPS ORDER #: _____	ACCEPTED BY: _____
	DATE: _____





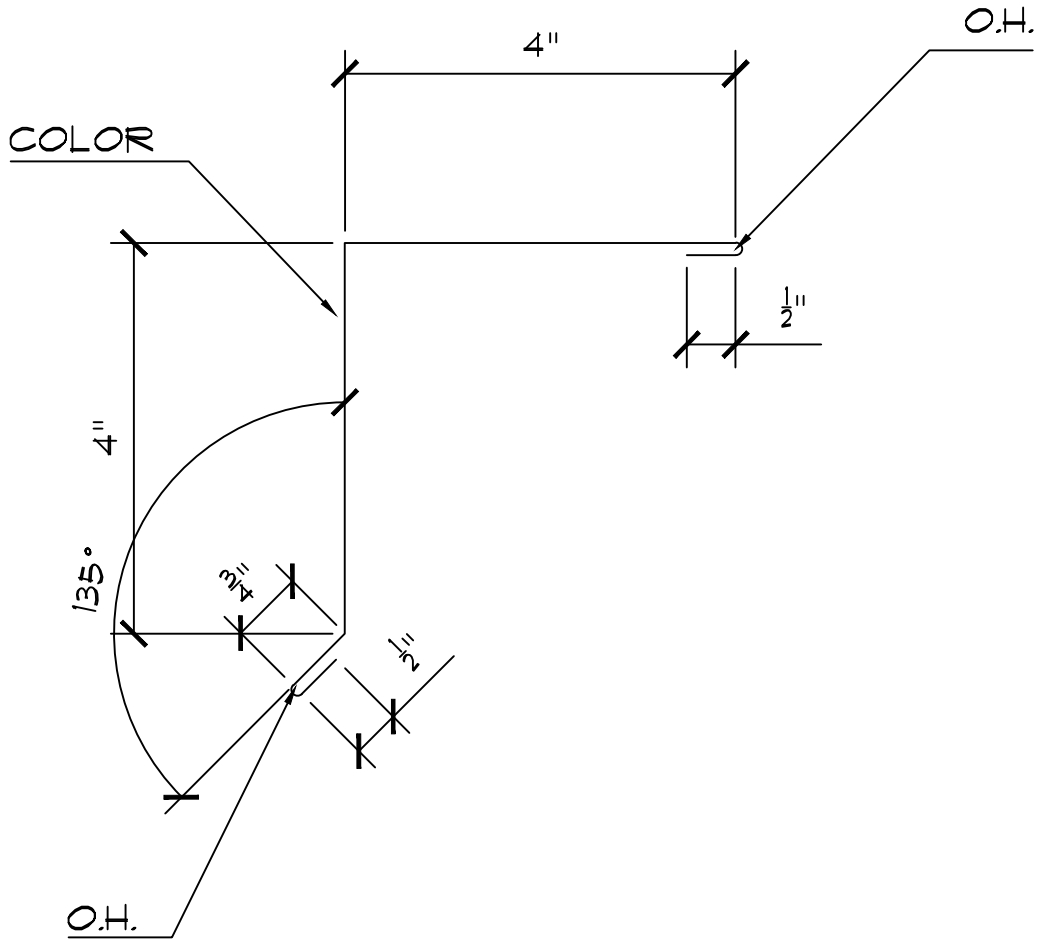
GAUGE: _____ STRETCH-OUT: 29 3/8"
 COLOR: _____ # OF BREAKS: 11
 LENGTH: 10'-0" QUANTITY: _____

PART #: RH174
 PART NAME:
VENTED RIDGE/HIP CAP

CUSTOMER: _____
 JOB NAME: _____
 AEPS ORDER #: _____

DRAWN BY: _____
 DATE: _____
 ACCEPTED BY: _____
 DATE: _____

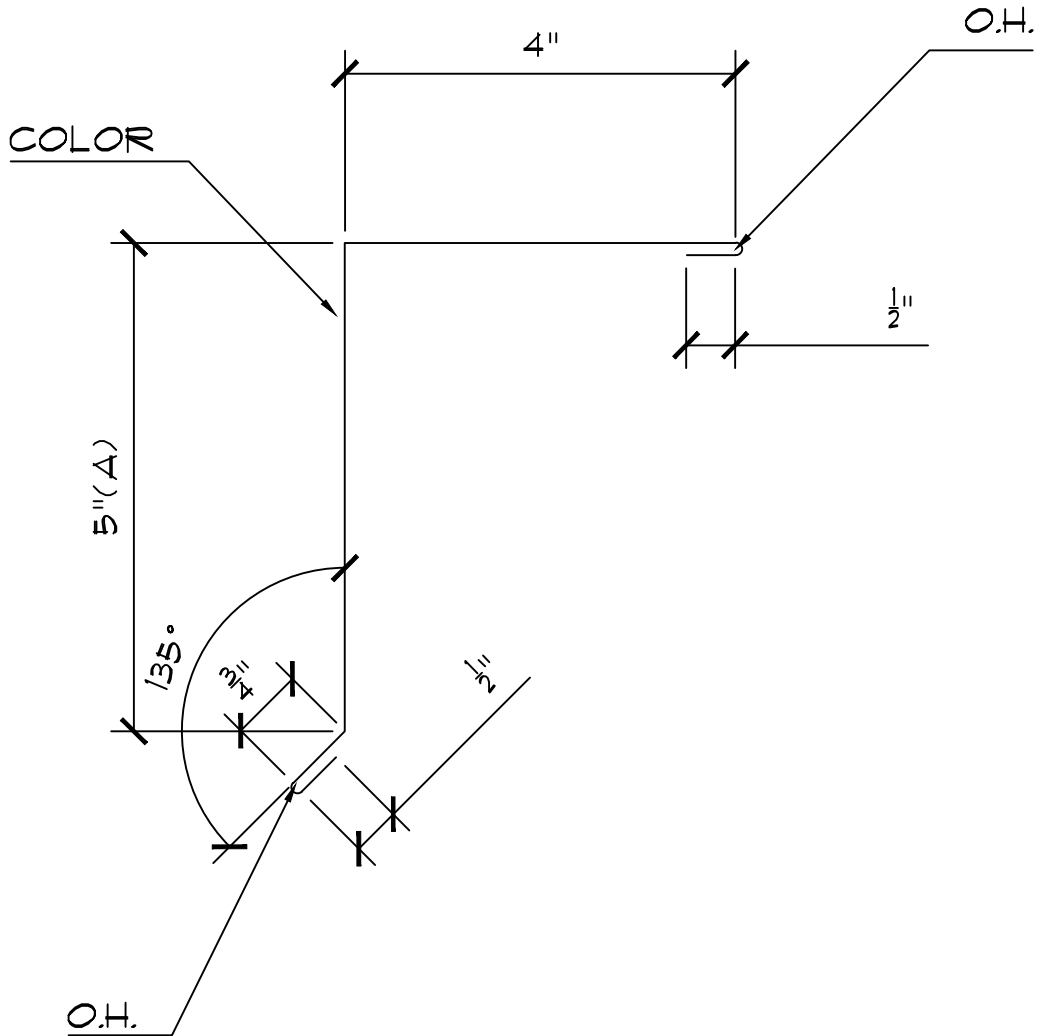




GAUGE: _____	STRETCH-OUT: <u>9 3/4"</u>	PART #: <u>RT115</u>
COLOR: _____	# OF BREAKS: <u>6</u>	PART NAME:
LENGTH: <u>10'-0"</u>	QUANTITY: _____	<u>SHORT RAKE TRIM</u>

CUSTOMER: _____	DRAWN BY: _____
JOB NAME: _____	DATE: _____
AEPS ORDER #: _____	ACCEPTED BY: _____
	DATE: _____





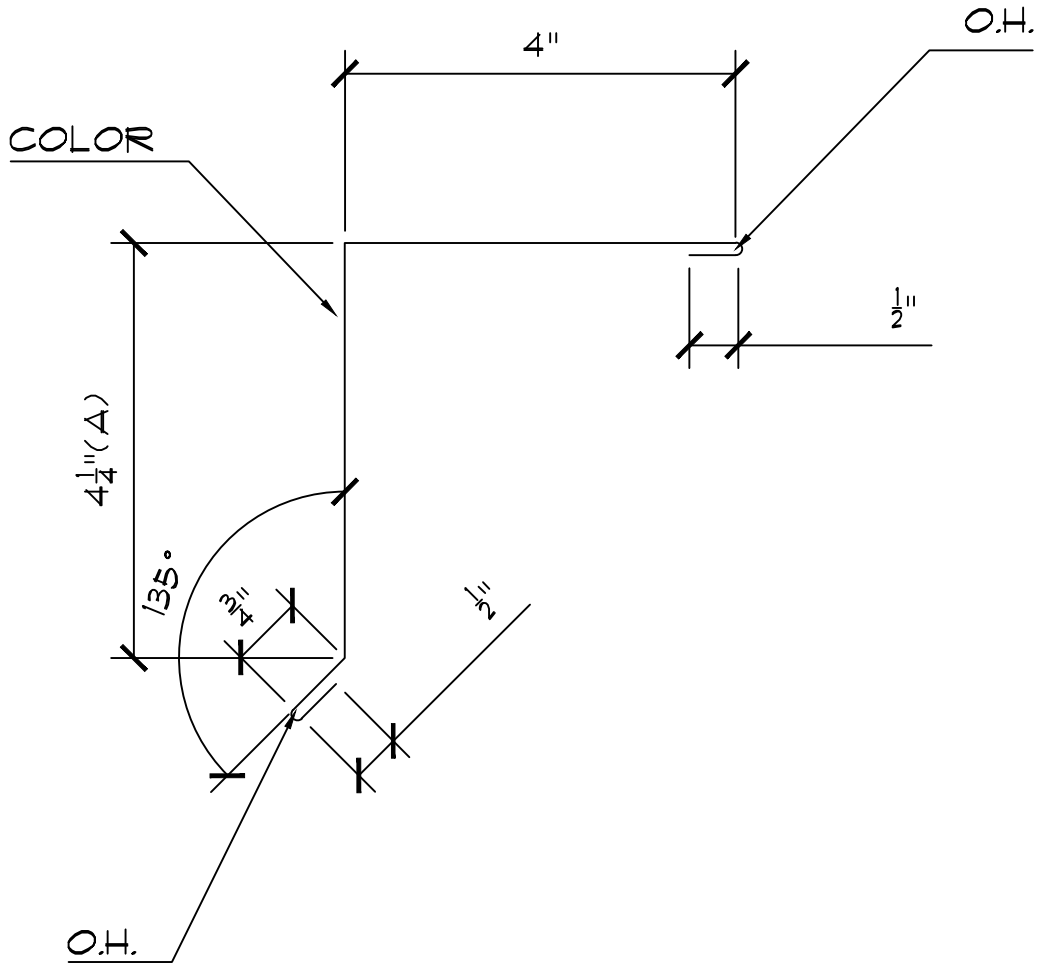
GAUGE: _____ STRETCH-OUT: 10 3/4"
 COLOR: _____ # OF BREAKS: 6
 LENGTH: 10'-0" QUANTITY: _____

PART #: RT111
 PART NAME:
LONG RAKE TRIM

CUSTOMER: _____
 JOB NAME: _____
 AEPS ORDER #: _____

DRAWN BY: _____
 DATE: _____
 ACCEPTED BY: _____
 DATE: _____

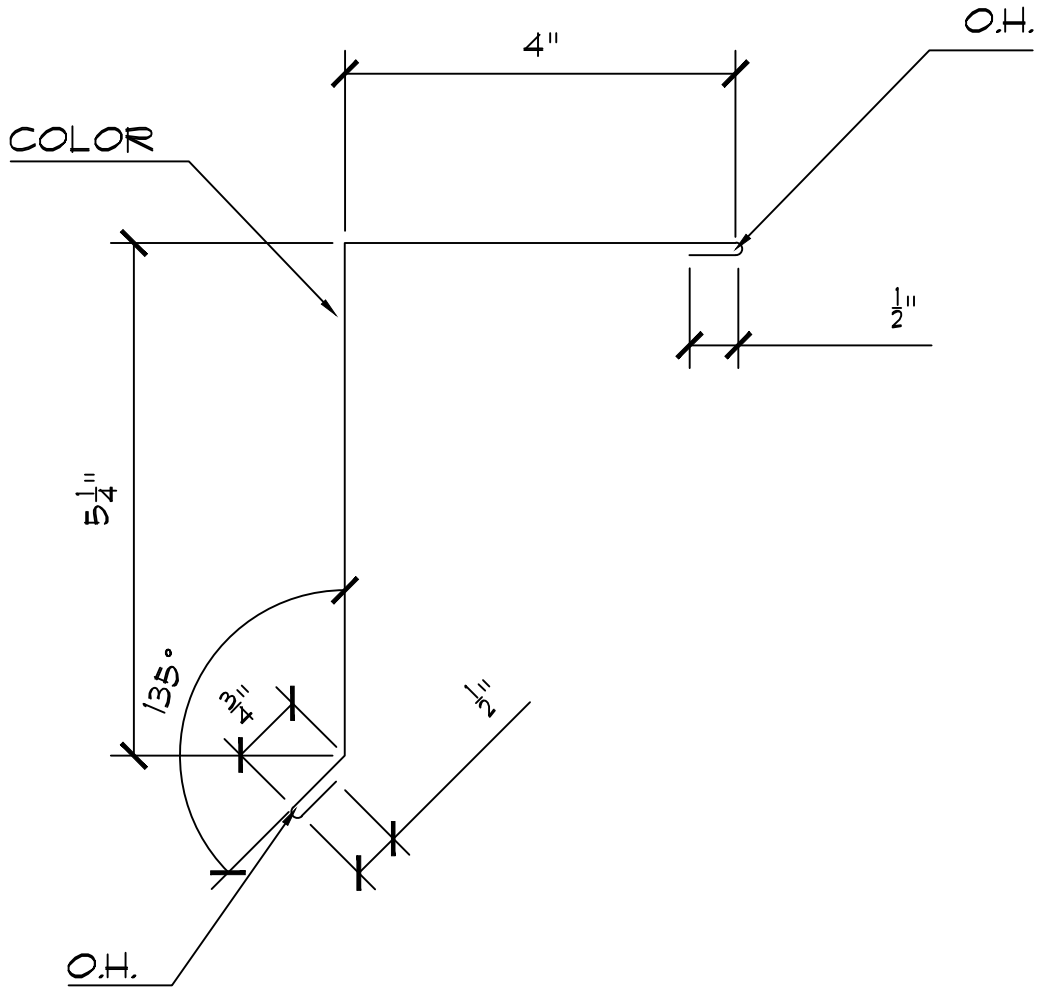




GAUGE: _____	STRETCH-OUT: <u>10"</u>	PART #: <u>RT119</u>
COLOR: _____	# OF BREAKS: <u>6</u>	PART NAME:
LENGTH: <u>10'-0"</u>	QUANTITY: _____	<u>SHORT RAKE TRIM</u>

CUSTOMER: _____	DRAWN BY: _____
JOB NAME: _____	DATE: _____
AEPS ORDER #: _____	ACCEPTED BY: _____
	DATE: _____

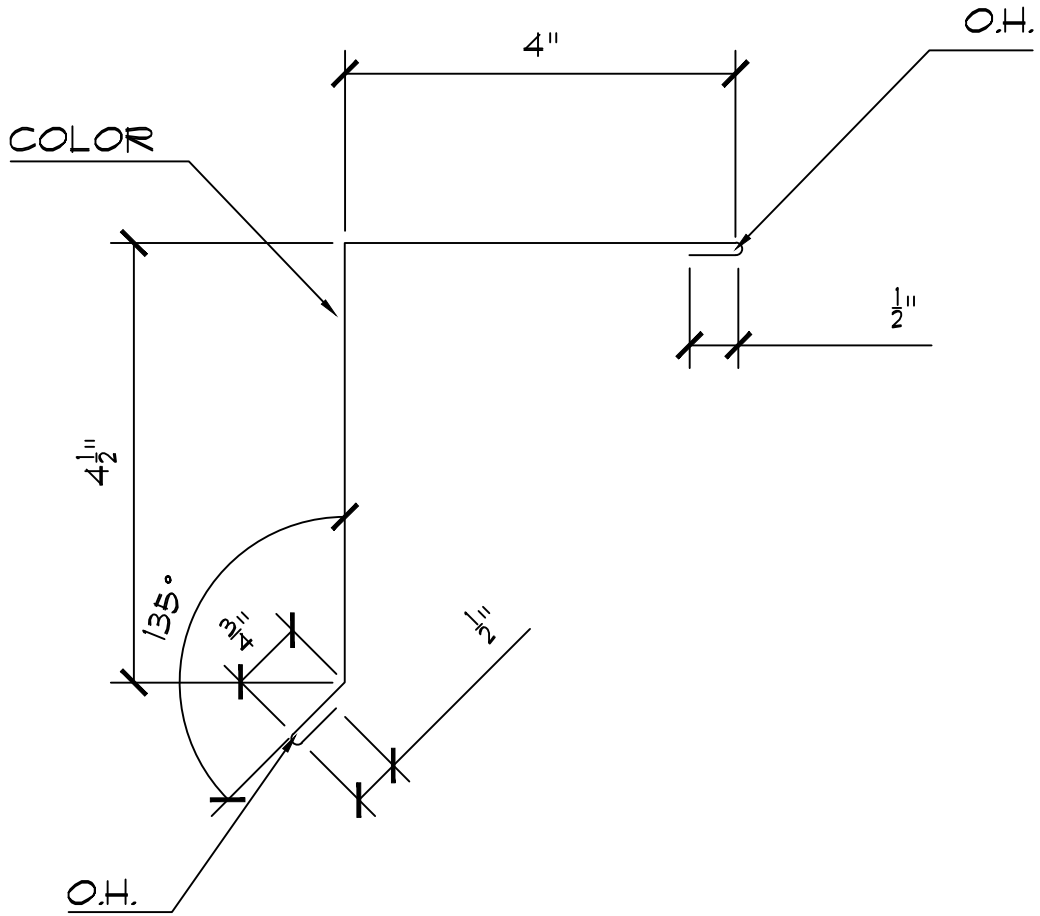




GAUGE: _____	STRETCH-OUT: <u>11"</u>	PART #: <u>RT181</u>
COLOR: _____	# OF BREAKS: <u>6</u>	PART NAME:
LENGTH: <u>10'-0"</u>	QUANTITY: _____	<u>LONG RAKE TRIM</u>

CUSTOMER: _____	DRAWN BY: _____
JOB NAME: _____	DATE: _____
AEPS ORDER #: _____	ACCEPTED BY: _____
	DATE: _____

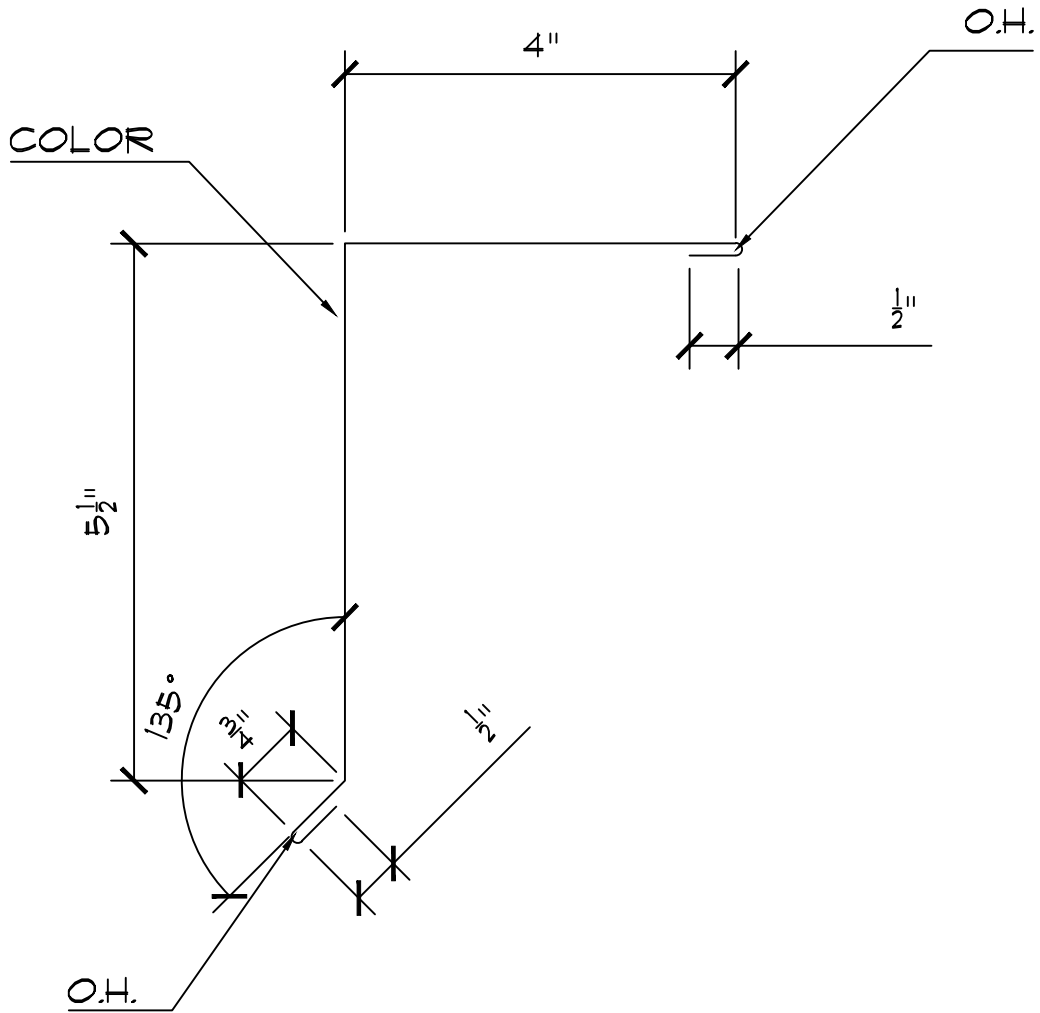




GAUGE: _____	STRETCH-OUT: <u>10 1/4"</u>	PART #: <u>RT183</u>
COLOR: _____	# OF BREAKS: <u>6</u>	PART NAME:
LENGTH: <u>10'-0"</u>	QUANTITY: _____	<u>SHORT RAKE TRIM</u>

CUSTOMER: _____	DRAWN BY: _____
JOB NAME: _____	DATE: _____
AEPS ORDER #: _____	ACCEPTED BY: _____
	DATE: _____





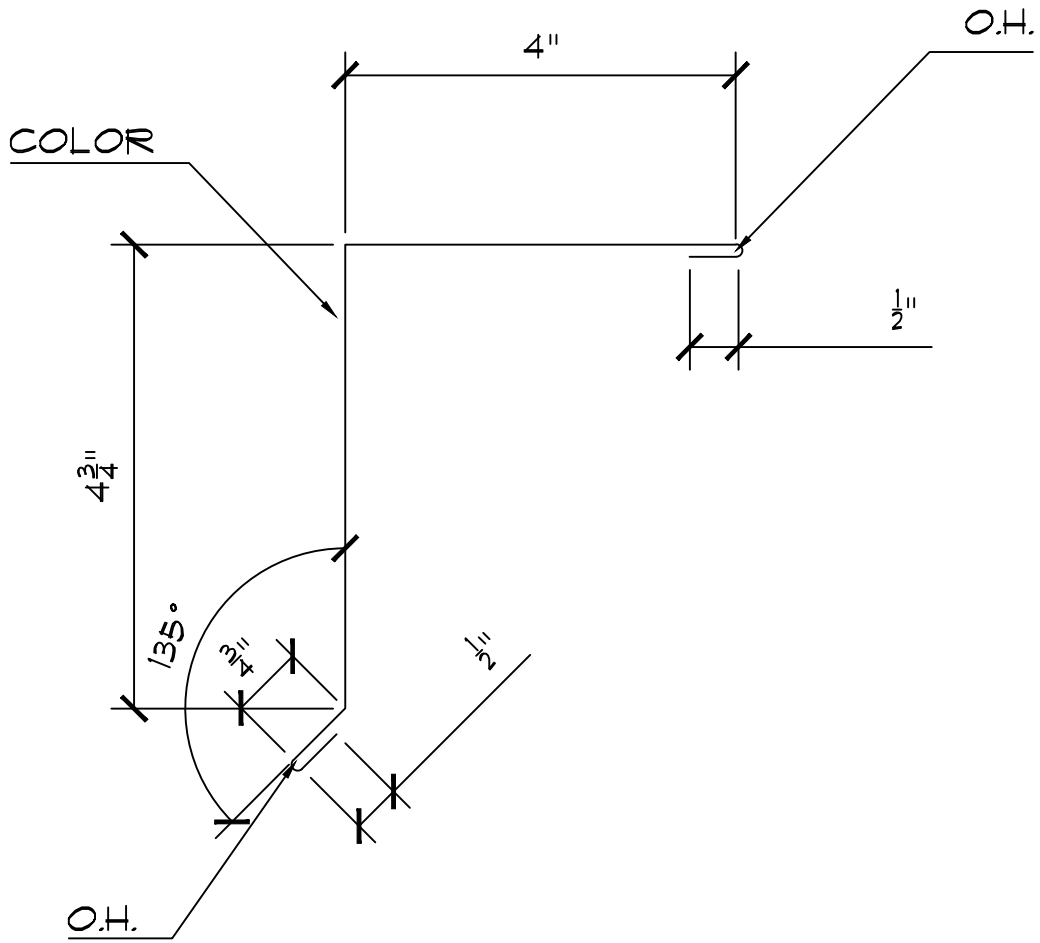
GAUGE: _____ STRETCH-OUT: 11 1/4"
 COLOR: _____ # OF BREAKS: 6
 LENGTH: 10'-0" QUANTITY: _____

PART #: RT185
 PART NAME:
LONG RAKE TRIM

CUSTOMER: _____
 JOB NAME: _____
 AEPS ORDER #: _____

DRAWN BY: _____
 DATE: _____
 ACCEPTED BY: _____
 DATE: _____





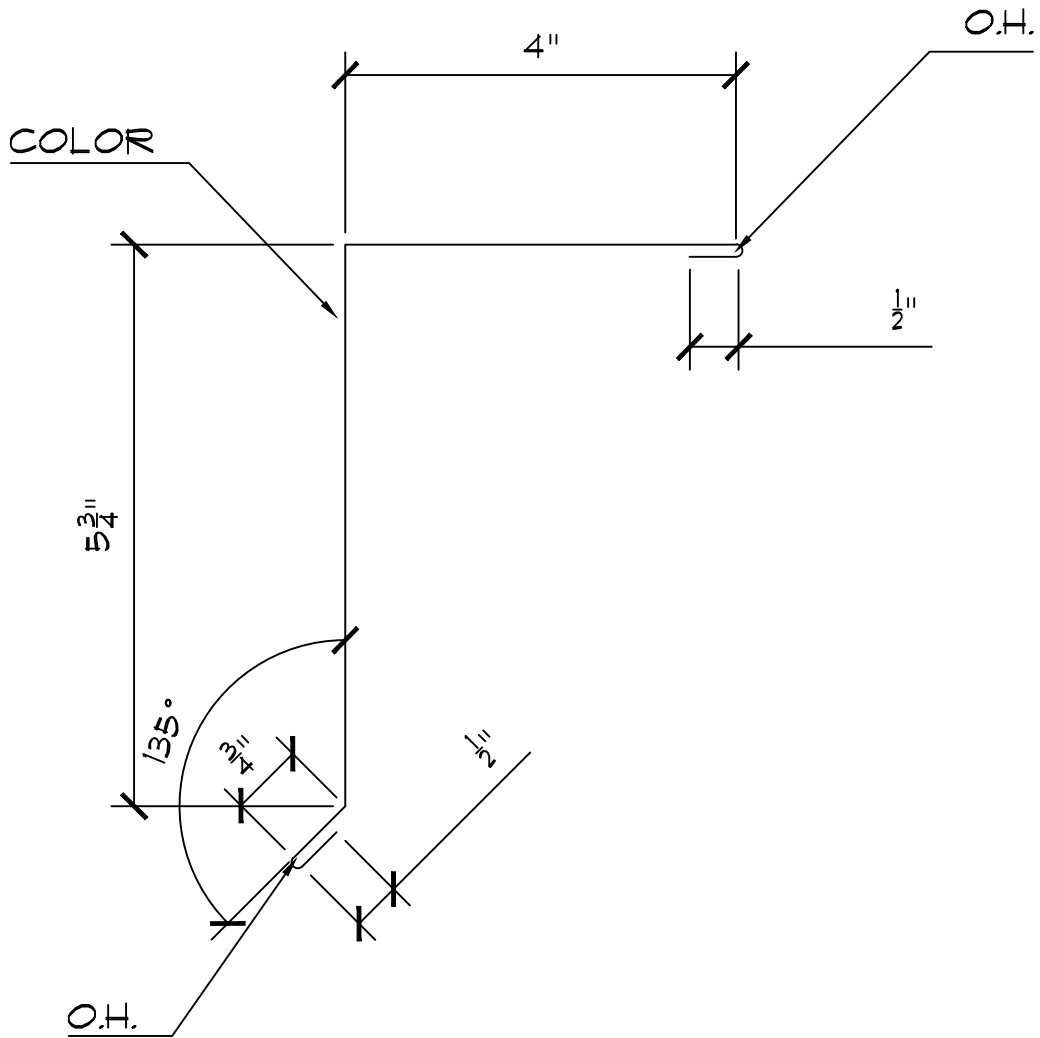
GAUGE: _____ STRETCH-OUT: 10 1/2"
 COLOR: _____ # OF BREAKS: 6
 LENGTH: 10'-0" QUANTITY: _____

PART #: RT187
 PART NAME:
SHORT RAKE TRIM

CUSTOMER: _____
 JOB NAME: _____
 AEPS ORDER #: _____

DRAWN BY: _____
 DATE: _____
 ACCEPTED BY: _____
 DATE: _____

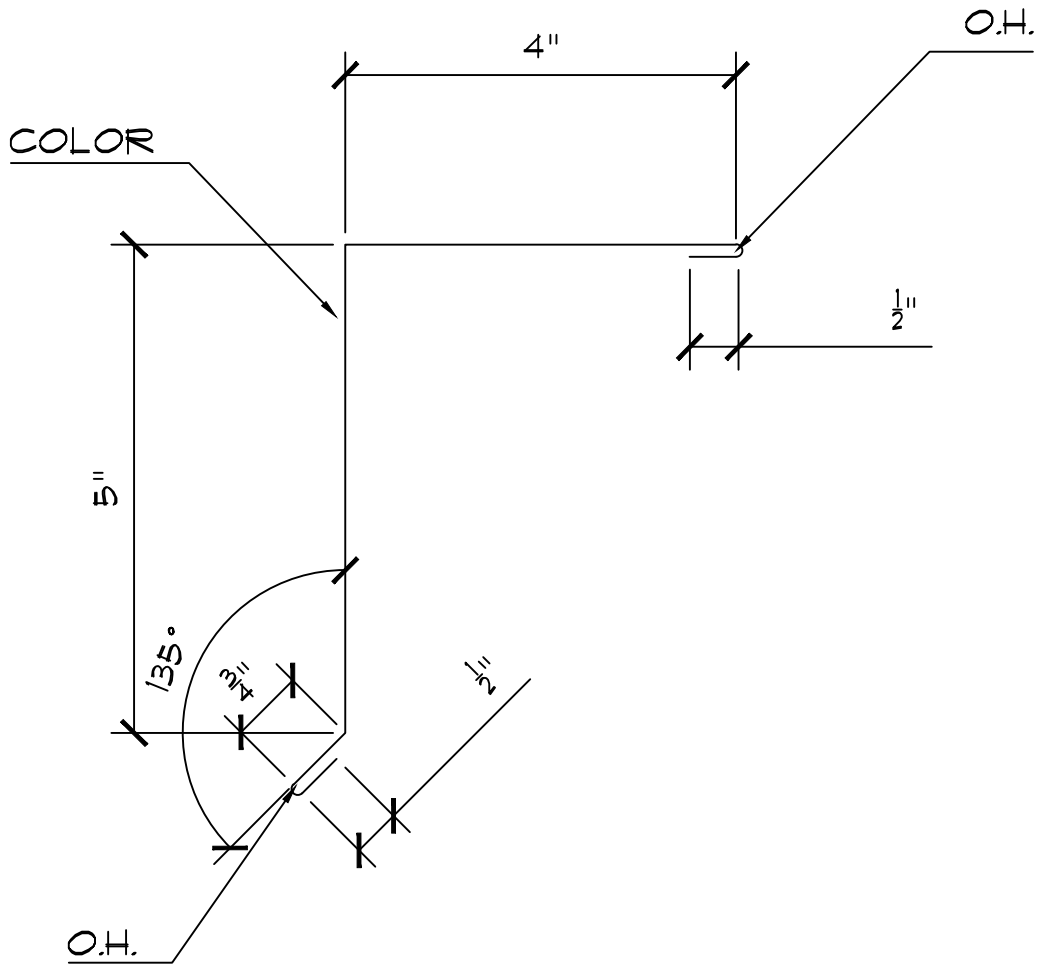




GAUGE: _____	STRETCH-OUT: <u>11 1/2"</u>	PART #: <u>RT189</u>
COLOR: _____	# OF BREAKS: <u>6</u>	PART NAME:
LENGTH: <u>10'-0"</u>	QUANTITY: _____	<u>LONG RAKE TRIM</u>

CUSTOMER: _____	DRAWN BY: _____
JOB NAME: _____	DATE: _____
AEPS ORDER #: _____	ACCEPTED BY: _____
	DATE: _____

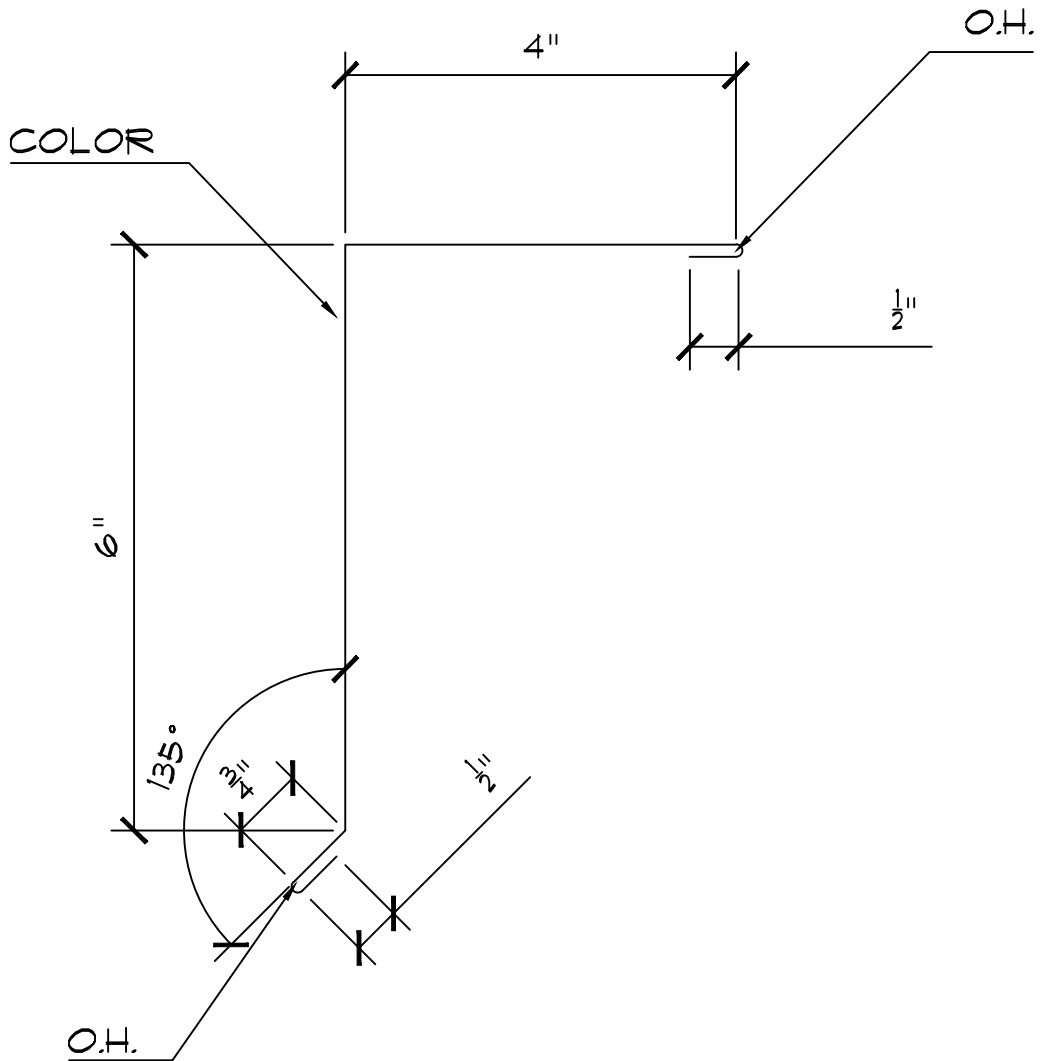




GAUGE: _____	STRETCH-OUT: <u>10 3/4"</u>	PART #: <u>RT191</u>
COLOR: _____	# OF BREAKS: <u>6</u>	PART NAME:
LENGTH: <u>10'-0"</u>	QUANTITY: _____	<u>SHORT RAKE TRIM</u>

CUSTOMER: _____	DRAWN BY: _____
JOB NAME: _____	DATE: _____
AEPS ORDER #: _____	ACCEPTED BY: _____
	DATE: _____

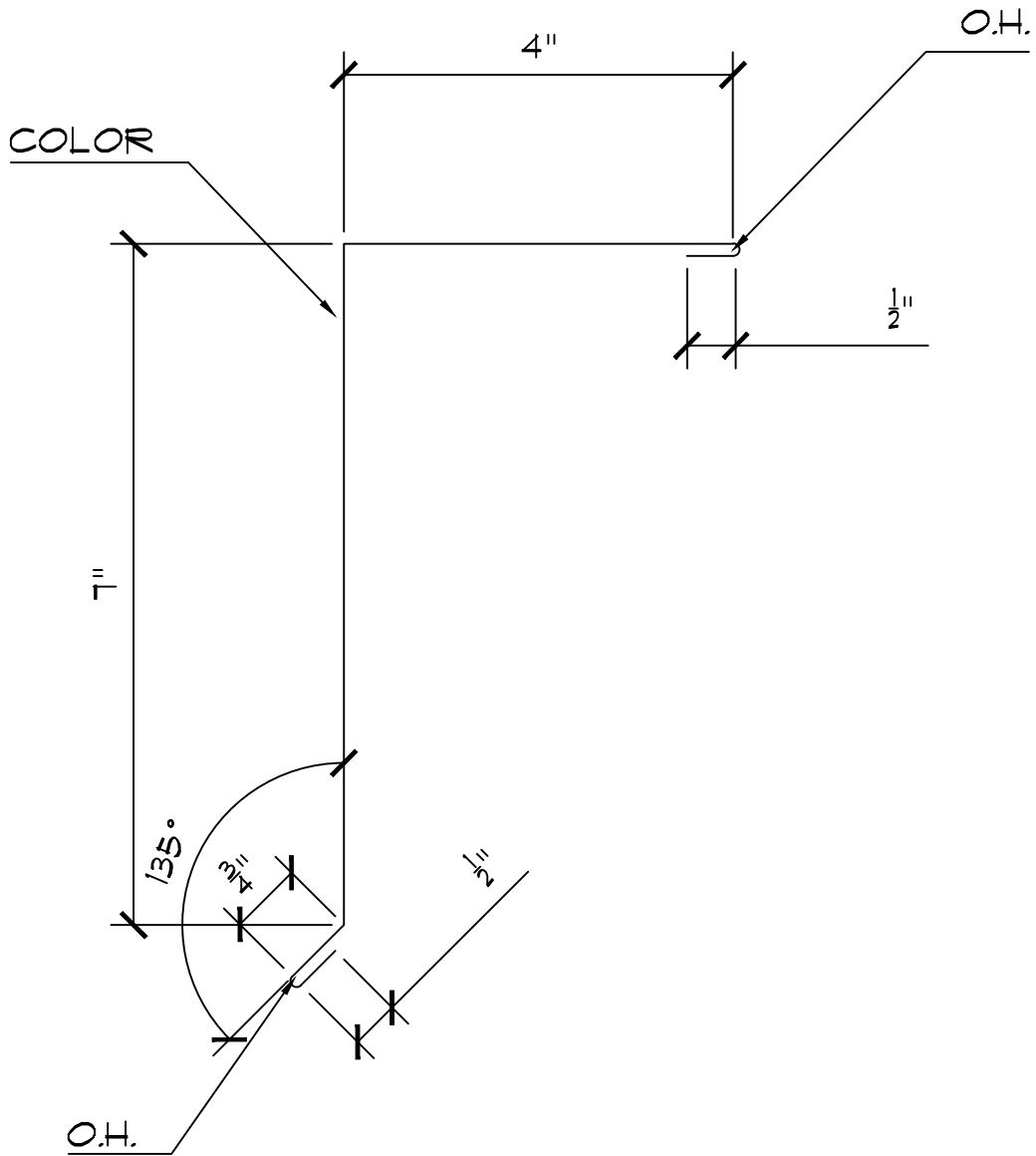




GAUGE: _____	STRETCH-OUT: <u>11 3/4"</u>	PART #: <u>RT193</u>
COLOR: _____	# OF BREAKS: <u>6</u>	PART NAME:
LENGTH: <u>10'-0"</u>	QUANTITY: _____	<u>LONG RAKE TRIM</u>

CUSTOMER: _____	DRAWN BY: _____
JOB NAME: _____	DATE: _____
AEPS ORDER #: _____	ACCEPTED BY: _____
	DATE: _____

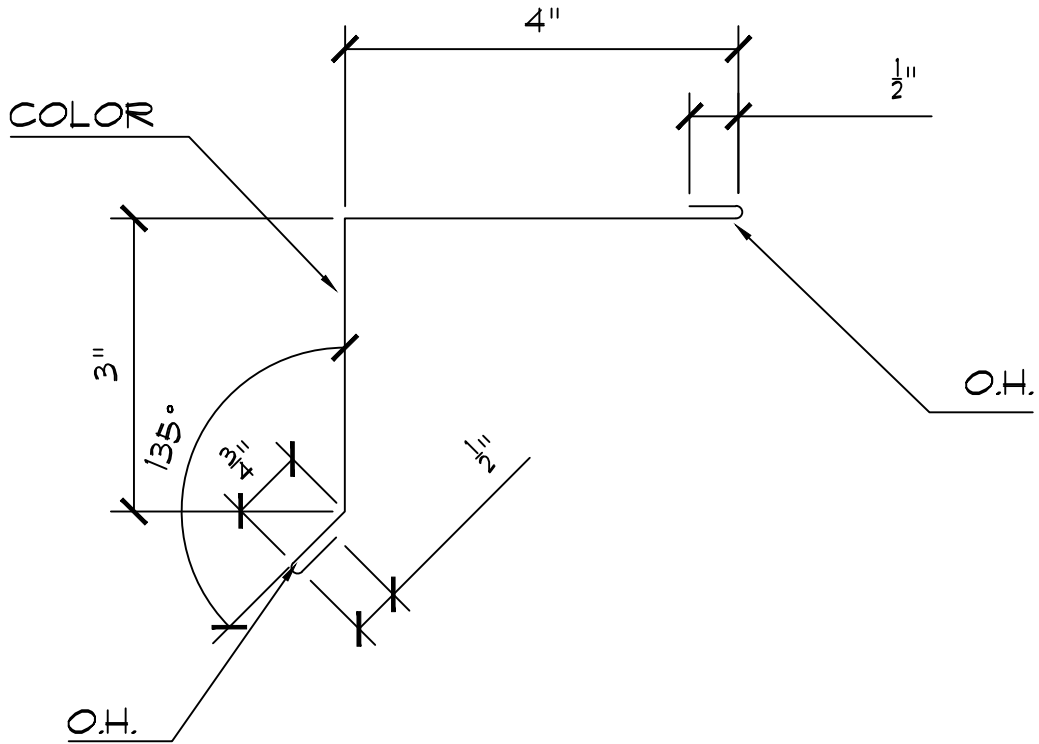




GAUGE: _____	STRETCH-OUT: <u>12 3/4"</u>	PART #: <u>RT195</u>
COLOR: _____	# OF BREAKS: <u>6</u>	PART NAME:
LENGTH: <u>10'-0"</u>	QUANTITY: _____	<u>LONG RAKE TRIM</u>

CUSTOMER: _____	DRAWN BY: _____
JOB NAME: _____	DATE: _____
AEPS ORDER #: _____	ACCEPTED BY: _____
	DATE: _____

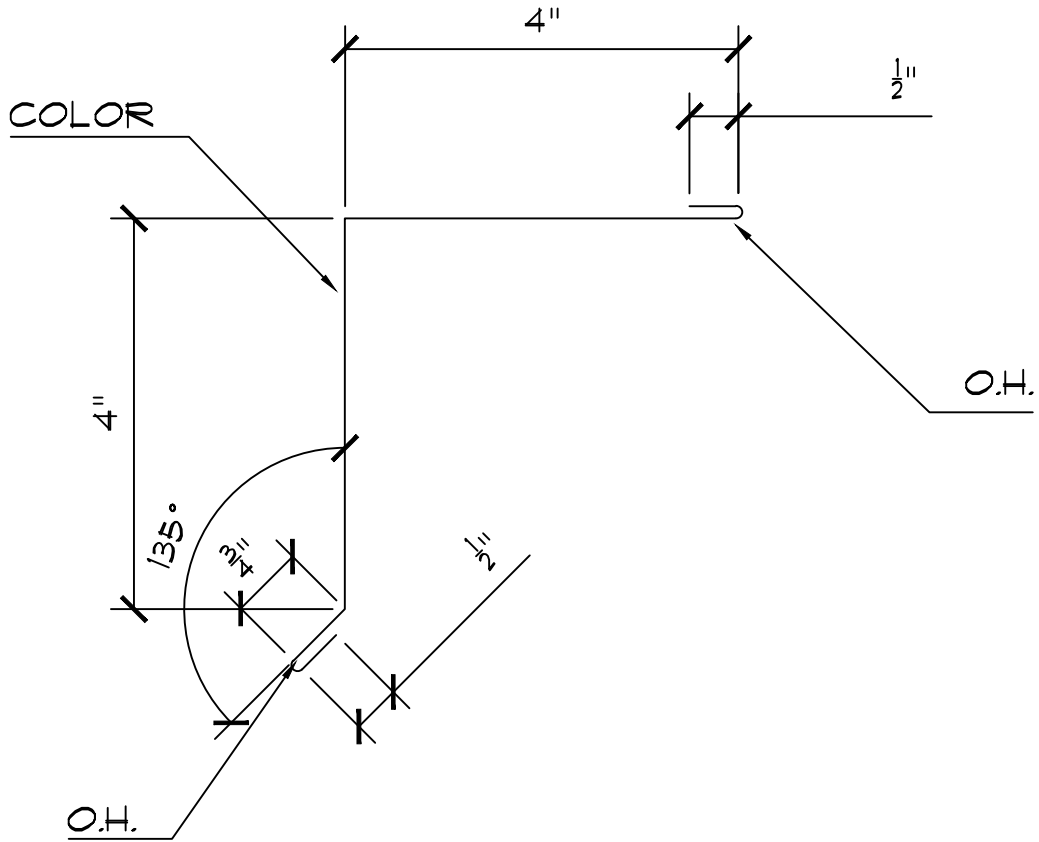




GAUGE: _____	STRETCH-OUT: <u>8 3/4"</u>	PART #: <u>RT197</u>
COLOR: _____	# OF BREAKS: <u>6</u>	PART NAME:
LENGTH: <u>10'-0"</u>	QUANTITY: _____	<u>SHORT ALT. RAKE TRIM</u>

CUSTOMER: _____	DRAWN BY: _____
JOB NAME: _____	DATE: _____
AEPS ORDER #: _____	ACCEPTED BY: _____
	DATE: _____

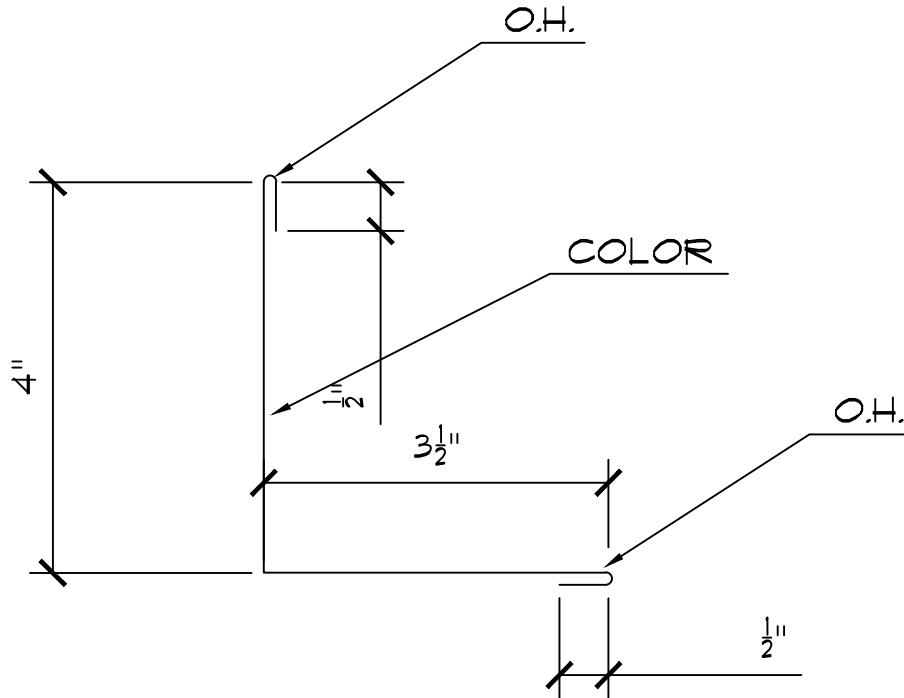




GAUGE: _____	STRETCH-OUT: <u>9 3/4"</u>	PART #: <u>RT199</u>
COLOR: _____	# OF BREAKS: <u>6</u>	PART NAME: _____
LENGTH: <u>10'-0"</u>	QUANTITY: _____	<u>LONG ALT. RAKE TRIM</u>

CUSTOMER: _____ JOB NAME: _____ AEPS ORDER #: _____	DRAWN BY: _____ DATE: _____
	ACCEPTED BY: _____ DATE: _____





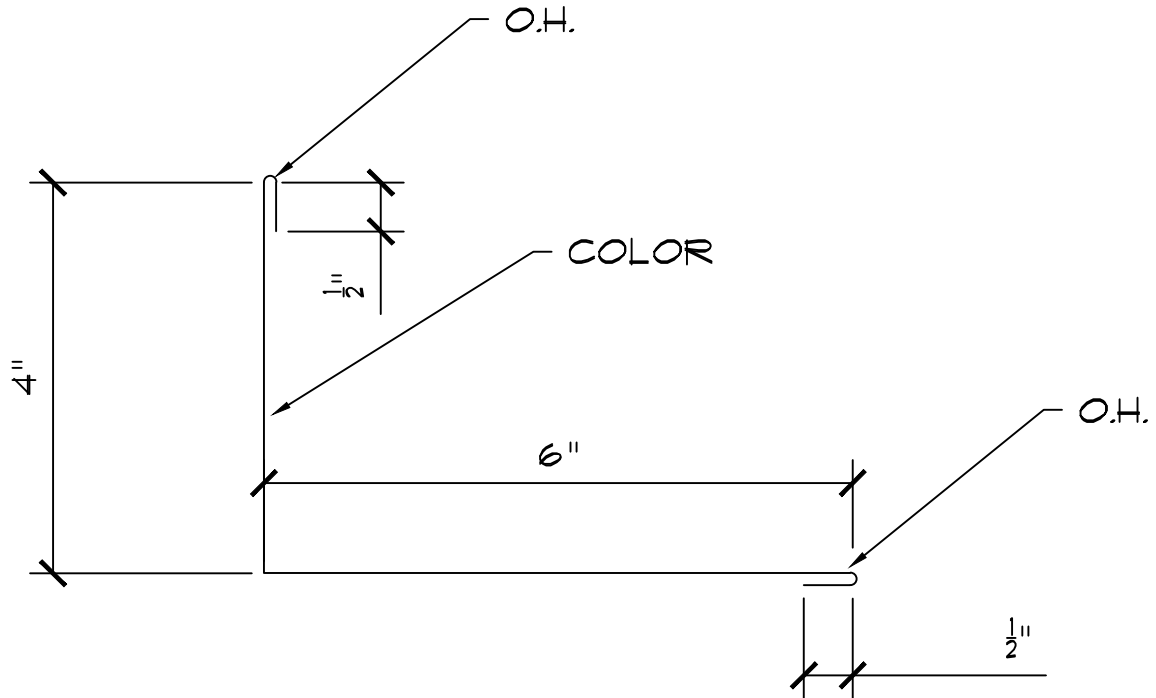
GAUGE: _____ STRETCH-OUT: 8 1/2"
 COLOR: _____ # OF BREAKS: 5
 LENGTH: 10'-0" QUANTITY: _____

PART #: RW201
 PART NAME: _____
RAKEWALL TRIM

CUSTOMER: _____
 JOB NAME: _____
 AEPS ORDER #: _____

DRAWN BY: _____
 DATE: _____
 ACCEPTED BY: _____
 DATE: _____

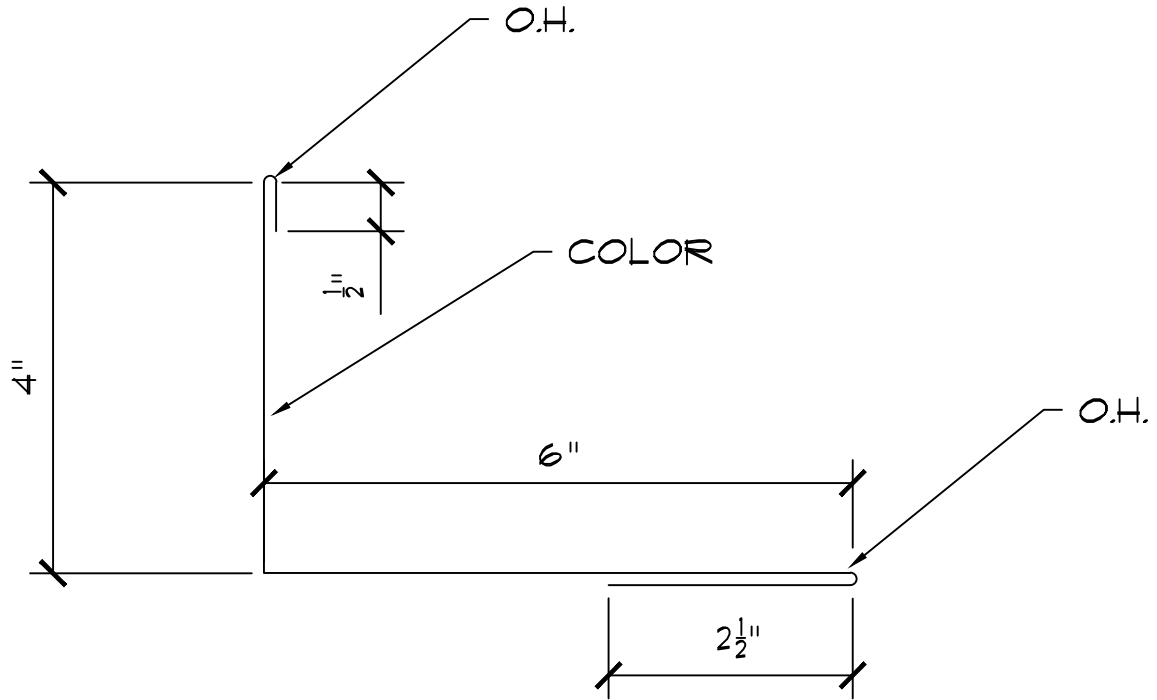




GAUGE: _____	STRETCH-OUT: _____ 11"	PART #: <u>RW203</u>
COLOR: _____	# OF BREAKS: <u>5</u>	PART NAME: _____
LENGTH: <u>10'-0"</u>	QUANTITY: _____	<u>RAKEWALL TRIM</u>

CUSTOMER: _____ JOB NAME: _____ AEPS ORDER #: _____	DRAWN BY: _____ DATE: _____
	ACCEPTED BY: _____ DATE: _____

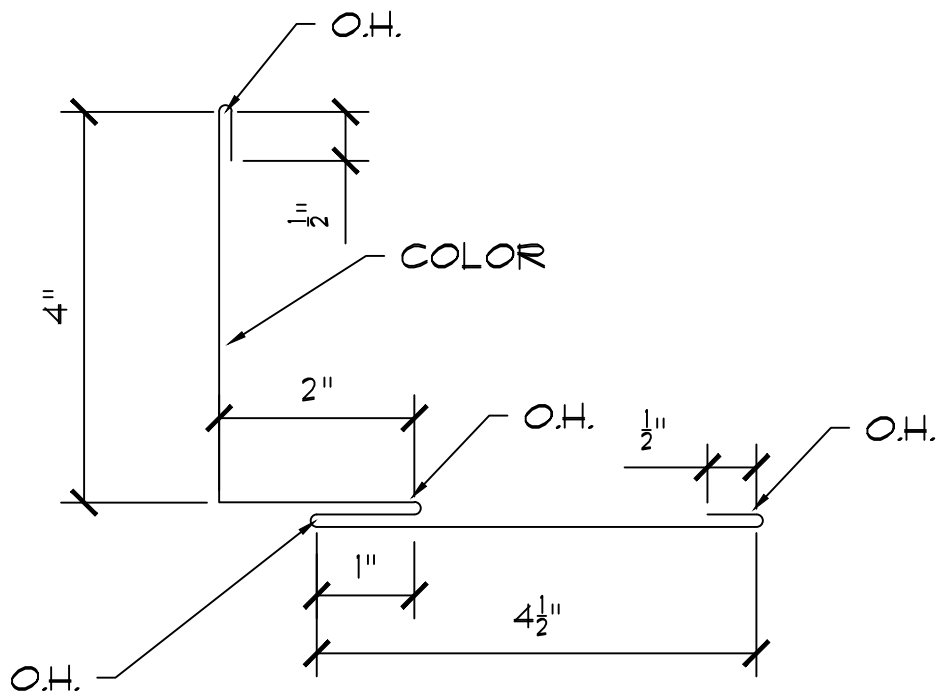




GAUGE: _____	STRETCH-OUT: <u>13"</u>	PART #: <u>RW205</u>
COLOR: _____	# OF BREAKS: <u>5</u>	PART NAME: _____
LENGTH: <u>10'-0"</u>	QUANTITY: _____	<u>EXP RAKWALL TRIM</u>

CUSTOMER: _____ JOB NAME: _____ AEPS ORDER #: _____	DRAWN BY: _____ DATE: _____
	ACCEPTED BY: _____ DATE: _____





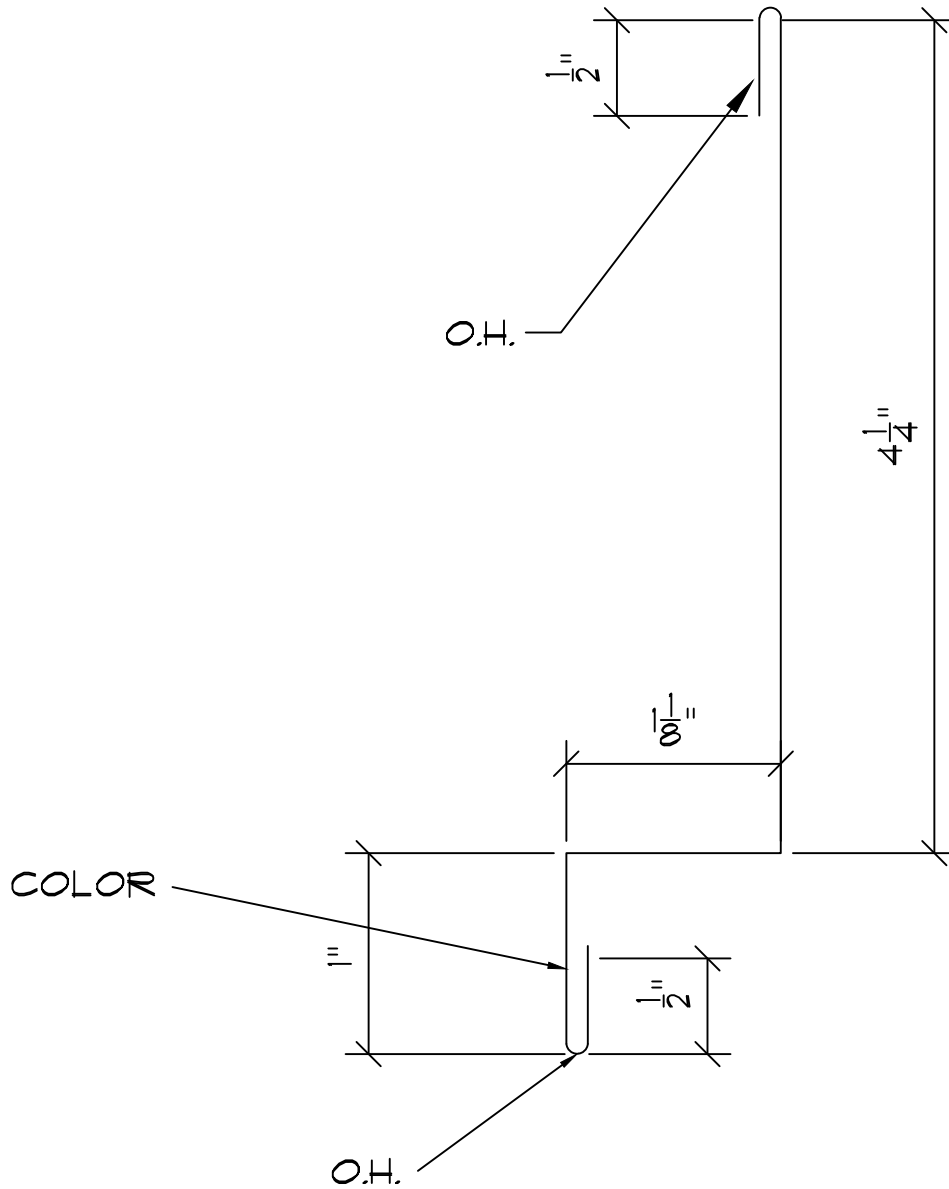
GAUGE: _____ STRETCH-OUT: 12 1/2"
 COLOR: _____ # OF BREAKS: 9
 LENGTH: 10'-0" QUANTITY: _____

PART #: RW207
 PART NAME: _____
RAKEWALL TRIM

CUSTOMER: _____
 JOB NAME: _____
 AEPS ORDER #: _____

DRAWN BY: _____
 DATE: _____
 ACCEPTED BY: _____
 DATE: _____

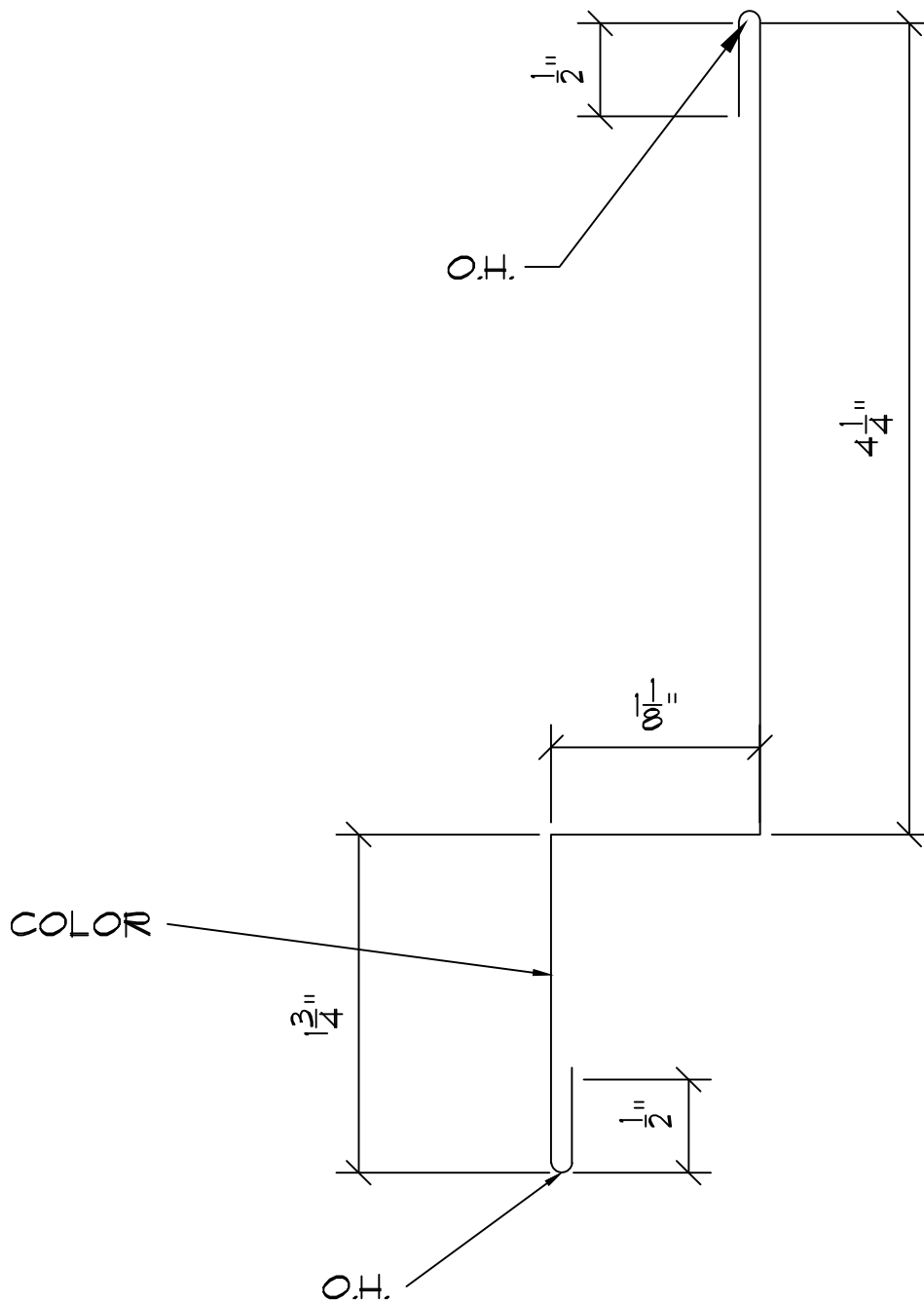




GAUGE: _____	STRETCH-OUT: <u>1 3/8"</u>	PART #: <u>RW209</u>
COLOR: _____	# OF BREAKS: <u>6</u>	PART NAME: _____
LENGTH: <u>10'-0"</u>	QUANTITY: _____	<u>RAKE TO WALL</u>

CUSTOMER: _____	DRAWN BY: _____
JOB NAME: _____	DATE: _____
AEPS ORDER #: _____	ACCEPTED BY: _____
	DATE: _____

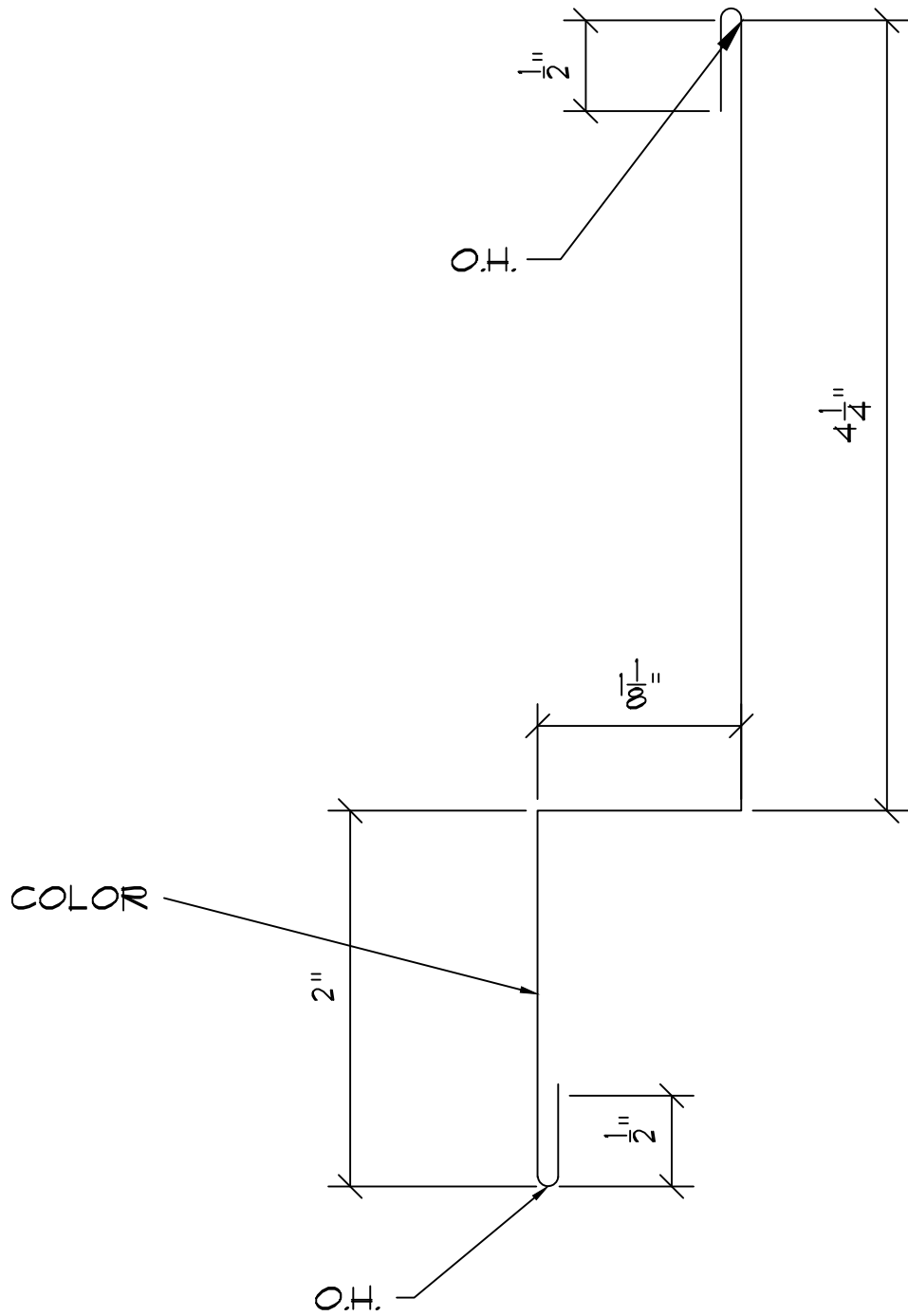




GAUGE: _____	STRETCH-OUT: <u>8 1/8"</u>	PART #: <u>RW212</u>
COLOR: _____	# OF BREAKS: <u>6</u>	PART NAME: _____
LENGTH: <u>10'-0"</u>	QUANTITY: _____	<u>RAKE TO WALL</u>

CUSTOMER: _____	DRAWN BY: _____
JOB NAME: _____	DATE: _____
AEPS ORDER #: _____	ACCEPTED BY: _____
	DATE: _____





GAUGE: _____	STRETCH-OUT: <u>8 3/8"</u>
COLOR: _____	# OF BREAKS: <u>6</u>
LENGTH: <u>10'-0"</u>	QUANTITY: _____

PART #: RW213

PART NAME: _____

RAKE TO WALL _____

CUSTOMER: _____

JOB NAME: _____

AEPS ORDER #: _____

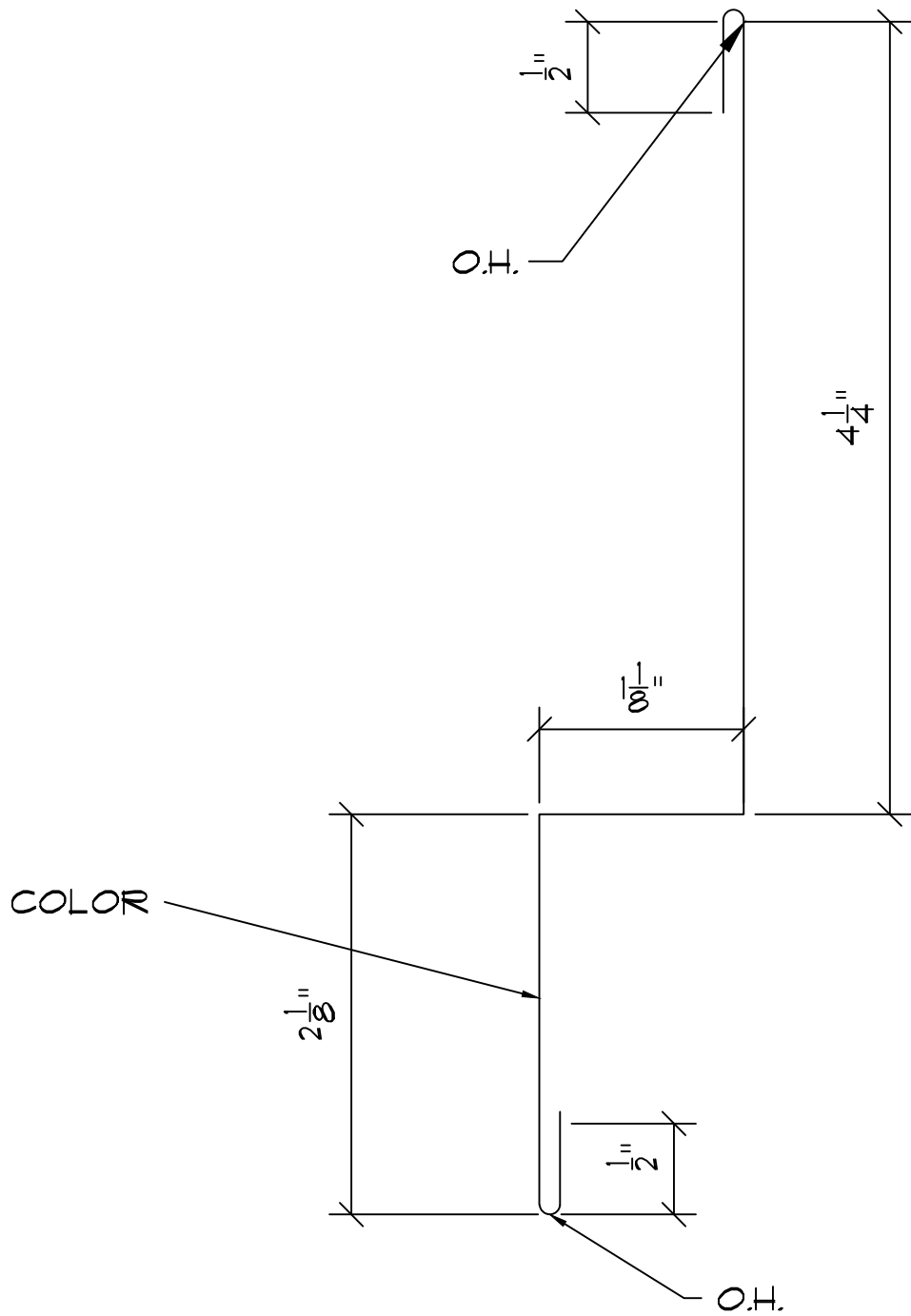
DRAWN BY: _____

DATE: _____

ACCEPTED BY: _____

DATE: _____

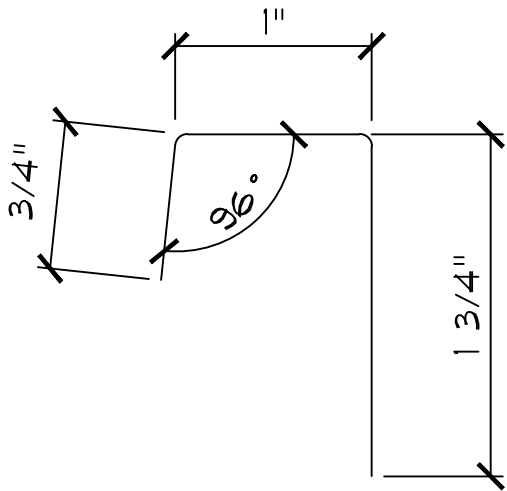




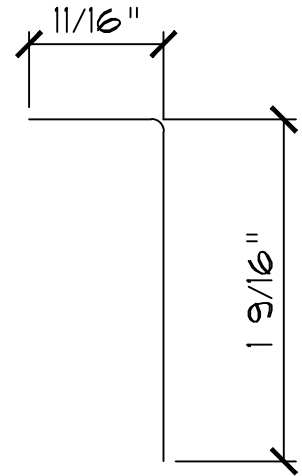
GAUGE: _____	STRETCH-OUT: <u>8 1/2"</u>	PART #: <u>RW215</u>
COLOR: _____	# OF BREAKS: <u>6</u>	PART NAME: _____
LENGTH: <u>10'-0"</u>	QUANTITY: _____	<u>RAKE TO WALL</u>

CUSTOMER: _____	DRAWN BY: _____
JOB NAME: _____	DATE: _____
AEPS ORDER #: _____	ACCEPTED BY: _____
	DATE: _____





S.O. = 3 1/2"
 OUTSIDE
 (SL2RCO2)

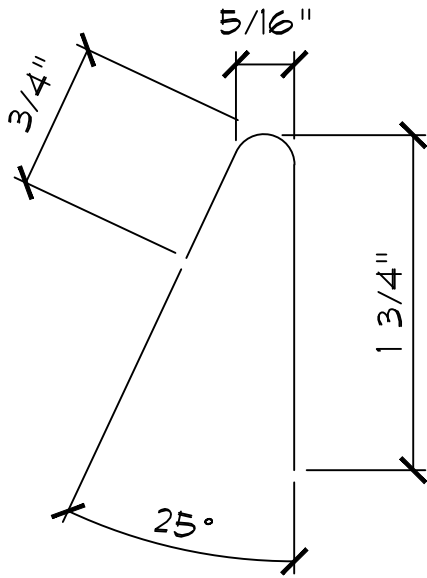


S.O. = 2 3/8"
 INSIDE
 (SL2RCI2)

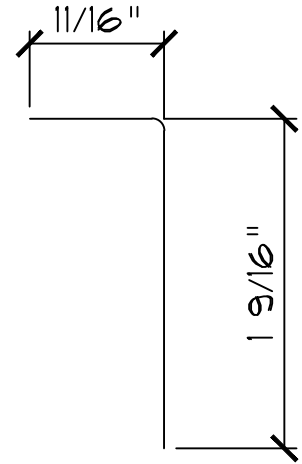
GAUGE: _____	STRETCH-OUT: _____	PART #: <u>SL2RC_2</u>
COLOR: _____	# OF BREAKS: <u>2</u>	PART NAME:
LENGTH: <u>Ø'-8"</u>	QUANTITY: _____	<u>2" SPAN-LOK RIB COVER</u>

CUSTOMER: _____ JOB NAME: _____ AEPS ORDER #: _____	DRAWN BY: _____ DATE: _____
	ACCEPTED BY: _____ DATE: _____





S.O. = $2 \frac{13}{16}$ "
 OUTSIDE
 (SPS2RC02)



S.O. = $2 \frac{3}{8}$ "
 INSIDE
 (SPS2RC12)

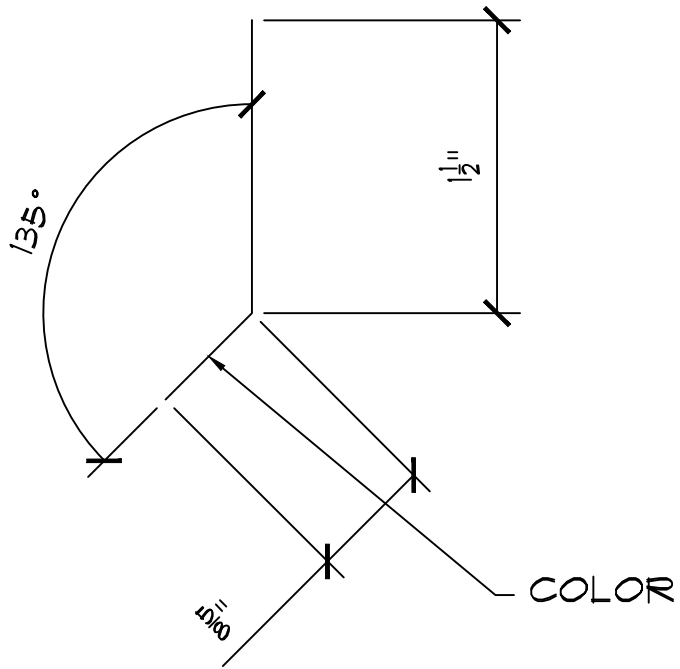
GAUGE: _____ STRETCH-OUT: _____
 COLOR: _____ # OF BREAKS: 2
 LENGTH: Ø'-8" QUANTITY: _____

PART #: SPS2RC_2
 PART NAME:
2" SPAN-SEAM RIB COVER

CUSTOMER: _____
 JOB NAME: _____
 AEPS ORDER #: _____

DRAWN BY: _____
 DATE: _____
 ACCEPTED BY: _____
 DATE: _____

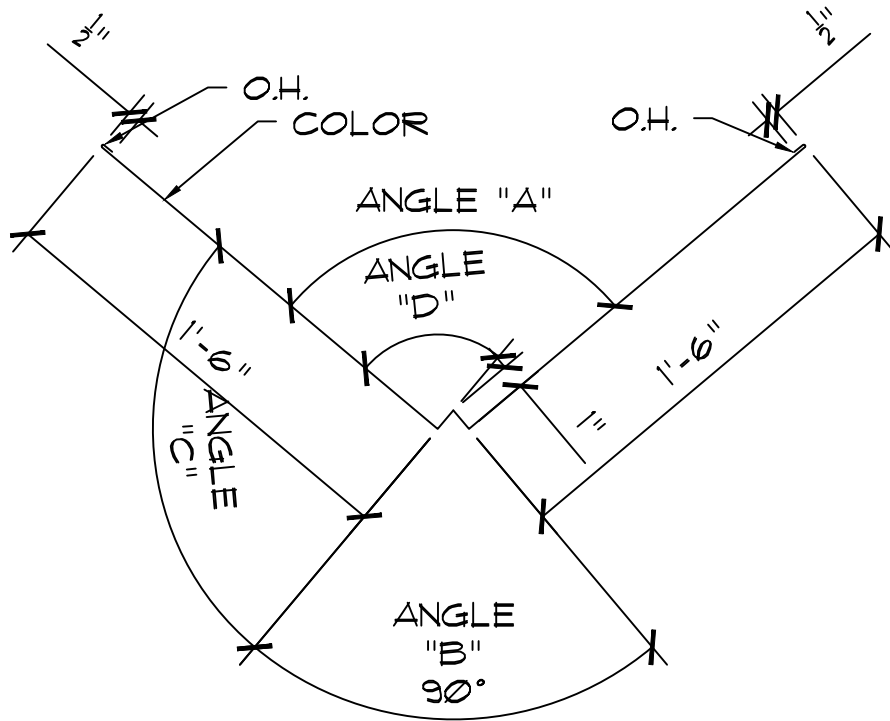




GAUGE: _____	STRETCH-OUT: <u>2 1/8"</u>	PART #: <u>TC209</u>
COLOR: _____	# OF BREAKS: <u>1</u>	PART NAME:
LENGTH: <u>10'-0"</u>	QUANTITY: _____	<u>TRIM CLEAT</u>

CUSTOMER: _____ JOB NAME: _____ AEPS ORDER #: _____	DRAWN BY: _____ DATE: _____
	ACCEPTED BY: _____ DATE: _____

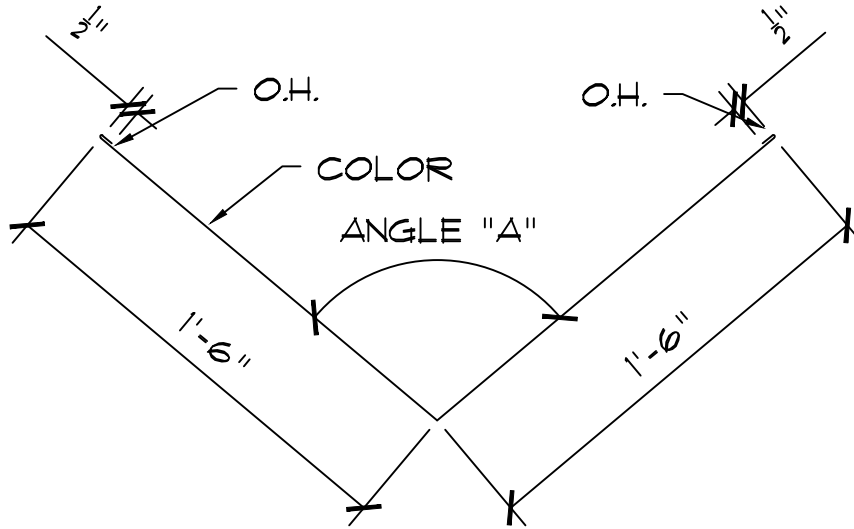




GAUGE: _____	STRETCH-OUT: <u>39"</u>	PART #: <u>VF210</u>
COLOR: _____	# OF BREAKS: <u>7</u>	PART NAME:
LENGTH: <u>10'-0"</u>	QUANTITY: _____	<u>VALLEY FLASHING</u>

CUSTOMER: _____ JOB NAME: _____ AEPS ORDER #: _____	DRAWN BY: _____ DATE: _____
	ACCEPTED BY: _____ DATE: _____

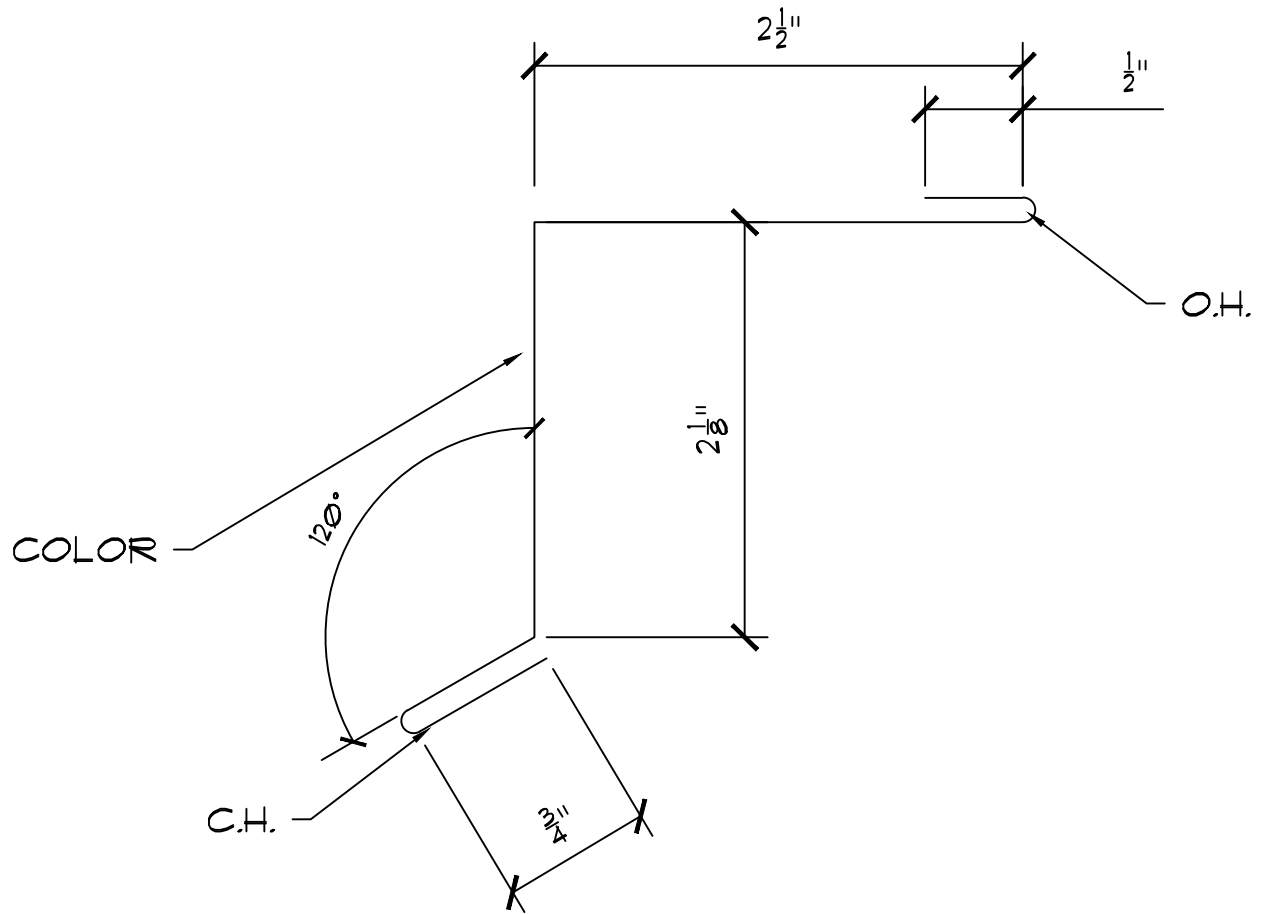




GAUGE: _____	STRETCH-OUT: <u>37"</u>	PART #: <u>VF212</u>
COLOR: _____	# OF BREAKS: <u>5</u>	PART NAME:
LENGTH: <u>10'-0"</u>	QUANTITY: _____	<u>VALLEY FLASHING</u>

CUSTOMER: _____ JOB NAME: _____ AEPS ORDER #: _____	DRAWN BY: _____ DATE: _____
	ACCEPTED BY: _____ DATE: _____

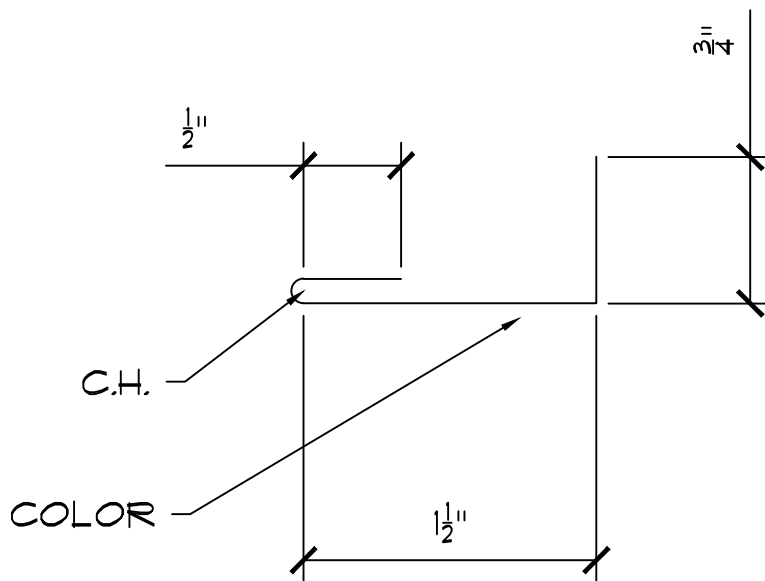




GAUGE: _____	STRETCH-OUT: <u>6 5/8"</u>	PART #: <u>VT214</u>
COLOR: _____	# OF BREAKS: <u>6</u>	PART NAME:
LENGTH: <u>10'-0"</u>	QUANTITY: _____	<u>EAVE VENT TRIM</u>

CUSTOMER: _____ JOB NAME: _____ AEPS ORDER #: _____	DRAWN BY: _____ DATE: _____
	ACCEPTED BY: _____ DATE: _____

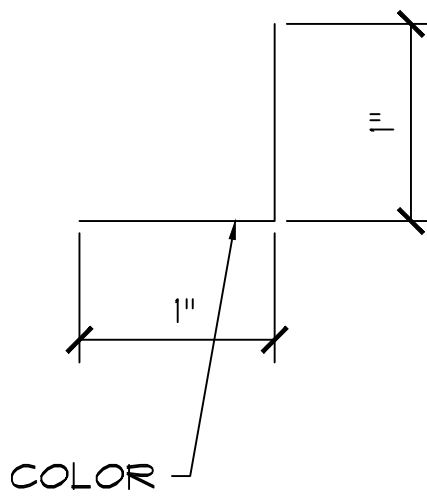




GAUGE: _____	STRETCH-OUT: <u>2 3/4"</u>	PART #: <u>WC215</u>
COLOR: _____	# OF BREAKS: <u>3</u>	PART NAME: _____
LENGTH: <u>10'-0"</u>	QUANTITY: _____	WALL CLOSURE _____

CUSTOMER: _____ JOB NAME: _____ AEPS ORDER #: _____	DRAWN BY: _____ DATE: _____
	ACCEPTED BY: _____ DATE: _____

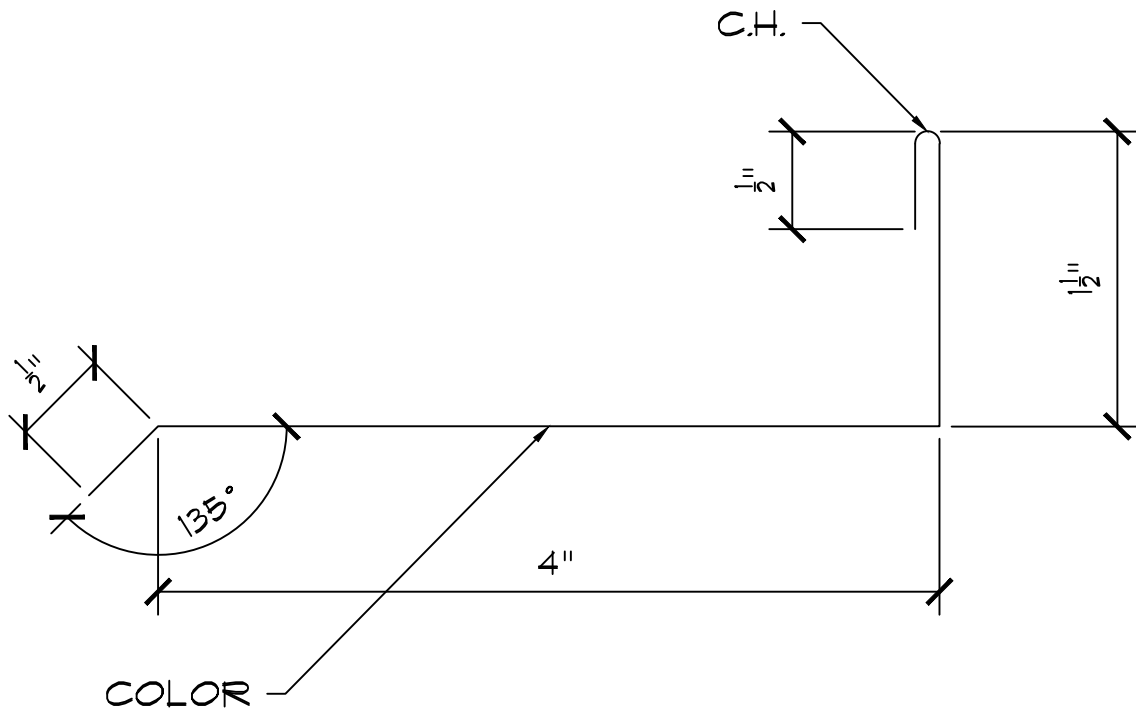




GAUGE: _____	STRETCH-OUT: <u>2"</u>	PART #: <u>WC216</u>
COLOR: _____	# OF BREAKS: <u>1</u>	PART NAME:
LENGTH: <u>10'-0"</u>	QUANTITY: _____	<u>COVER TRIM</u>

CUSTOMER: _____ JOB NAME: _____ AEPS ORDER #: _____	DRAWN BY: _____ DATE: _____
	ACCEPTED BY: _____ DATE: _____

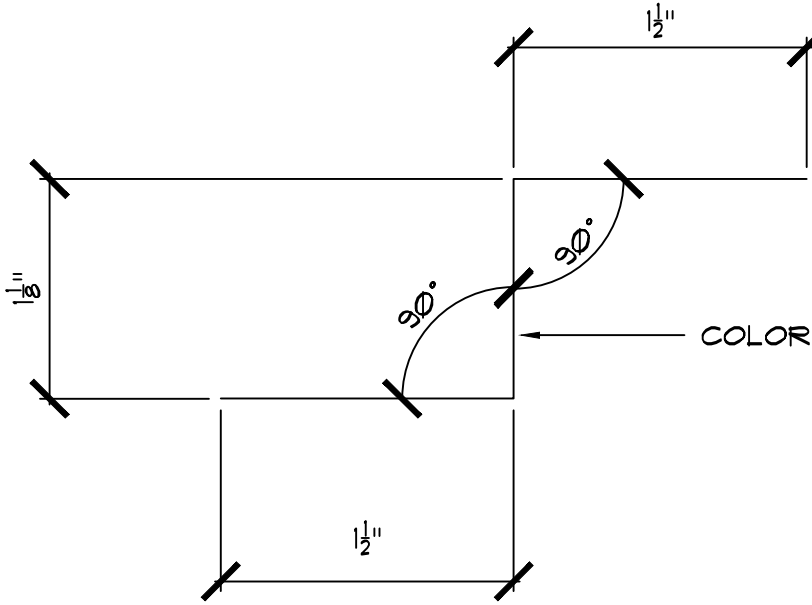




GAUGE: _____	STRETCH-OUT: <u>6 1/2"</u>	PART #: <u>WC217</u>
COLOR: _____	# OF BREAKS: <u>4</u>	PART NAME:
LENGTH: <u>10'-0"</u>	QUANTITY: _____	<u>WALL CLOSURE</u>

CUSTOMER: _____ JOB NAME: _____ AEPS ORDER #: _____	DRAWN BY: _____ DATE: _____
	ACCEPTED BY: _____ DATE: _____





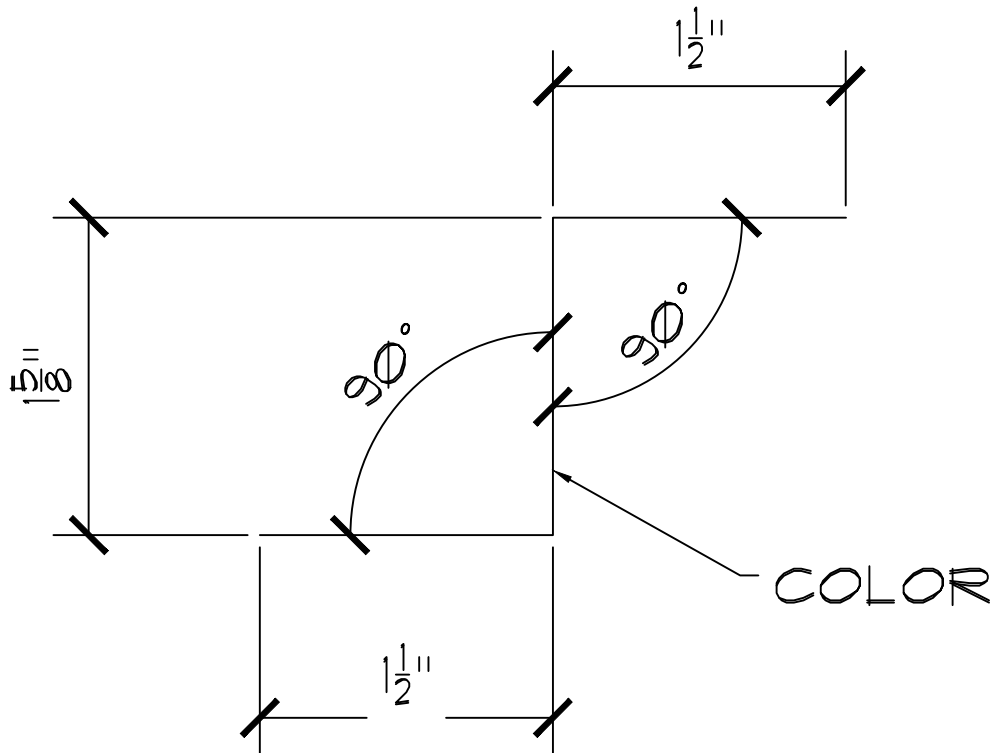
GAUGE: _____ STRETCH-OUT: 4 1/8"
 COLOR: _____ # OF BREAKS: 2
 LENGTH: 10'-0" QUANTITY: _____

PART #: ZC216
 PART NAME:
ZEE CLOSURE

CUSTOMER: _____
 JOB NAME: _____
 AEPS ORDER #: _____

DRAWN BY: _____
 DATE: _____
 ACCEPTED BY: _____
 DATE: _____

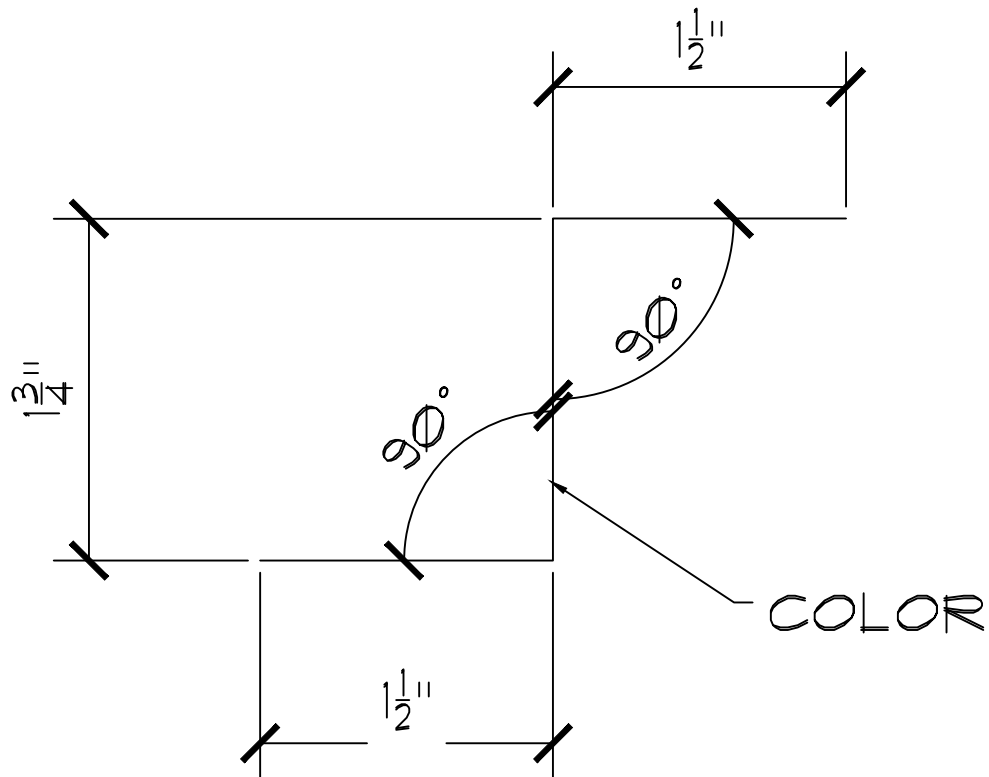




GAUGE: _____	STRETCH-OUT: <u>4 5/8"</u>	PART #: <u>ZC219</u>
COLOR: _____	# OF BREAKS: <u>2</u>	PART NAME:
LENGTH: <u>10'-0"</u>	QUANTITY: _____	<u>ZEE CLOSURE</u>

CUSTOMER: _____	DRAWN BY: _____
JOB NAME: _____	DATE: _____
AEPS ORDER #: _____	ACCEPTED BY: _____
	DATE: _____

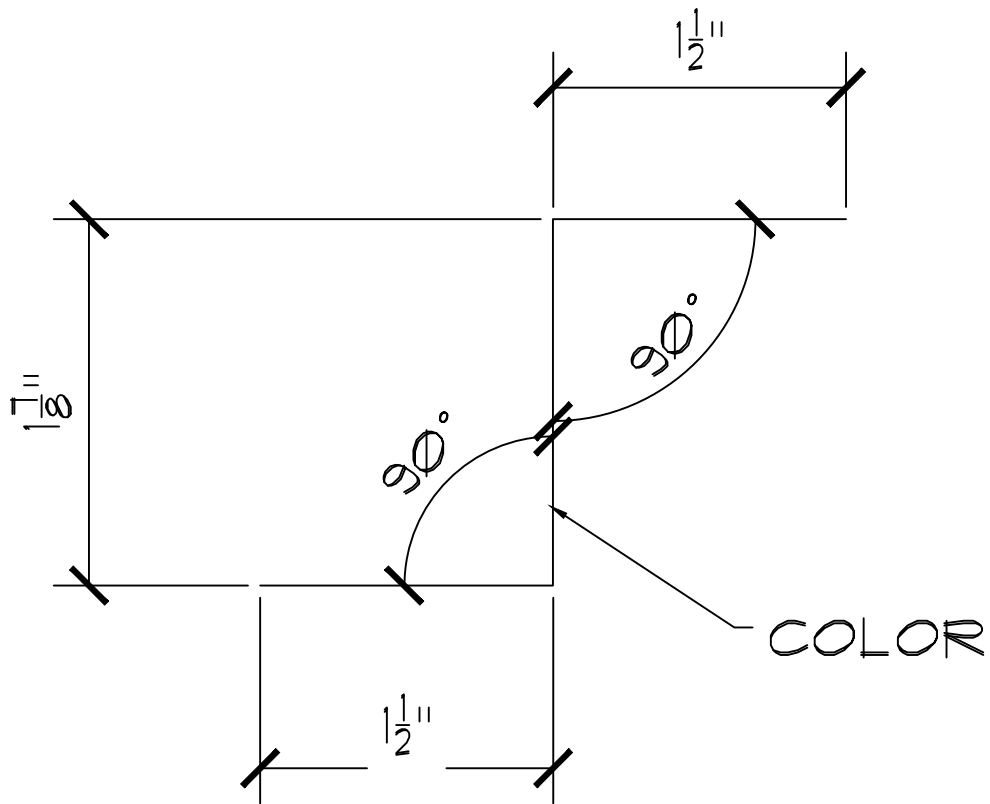




GAUGE: _____	STRETCH-OUT: <u>4 3/4"</u>	PART #: <u>ZC220</u>
COLOR: _____	# OF BREAKS: <u>2</u>	PART NAME:
LENGTH: <u>10'-0"</u>	QUANTITY: _____	<u>ZEE CLOSURE</u>

CUSTOMER: _____	DRAWN BY: _____
	DATE: _____
JOB NAME: _____	ACCEPTED BY: _____
	DATE: _____
AEPS ORDER #: _____	

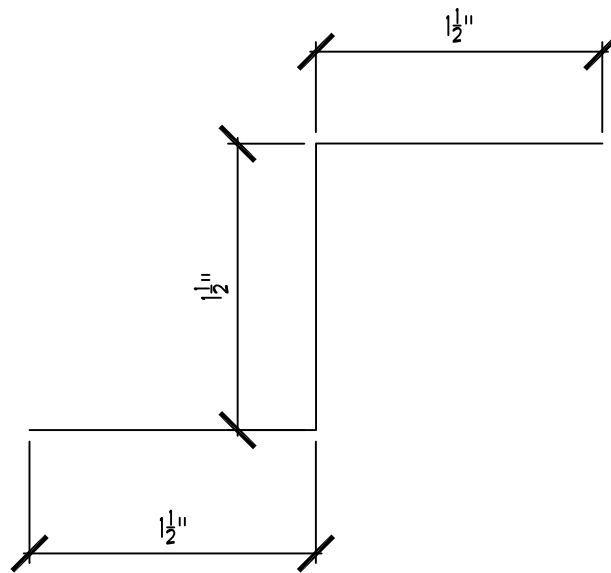




GAUGE: _____	STRETCH-OUT: <u>4 7/8''</u>	PART #: <u>ZC223</u>
COLOR: _____	# OF BREAKS: <u>2</u>	PART NAME:
LENGTH: <u>10'-0''</u>	QUANTITY: _____	<u>ZEE CLOSURE</u>

CUSTOMER: _____	DRAWN BY: _____
JOB NAME: _____	DATE: _____
AEPS ORDER #: _____	ACCEPTED BY: _____
	DATE: _____





GAUGE: _____ STRETCH-OUT: 4 1/2"

COLOR: _____ # OF BREAKS: 2

LENGTH: 10'-0" QUANTITY: _____

PART #: ZC224

PART NAME:

ZEE CLOSURE

CUSTOMER: _____

JOB NAME: _____

AEPS ORDER #: _____

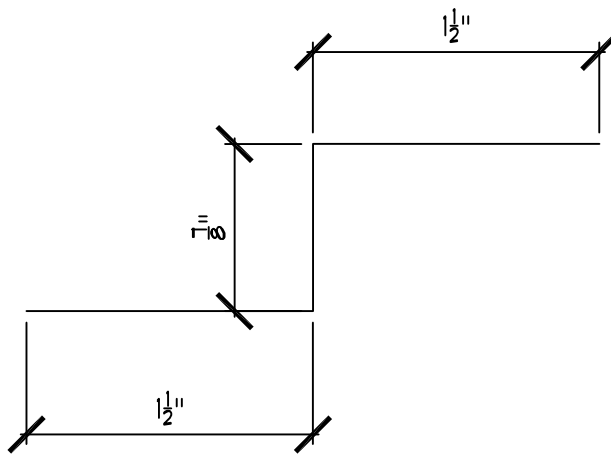
DRAWN BY: _____

DATE: _____

ACCEPTED BY: _____

DATE: _____





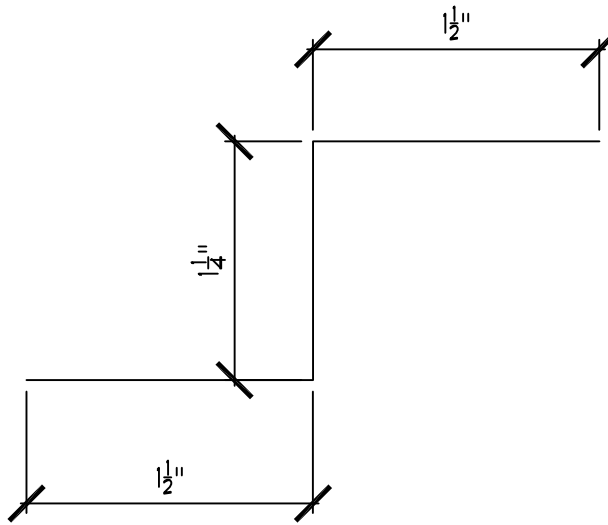
GAUGE: _____ STRETCH-OUT: 3 7/8"
 COLOR: _____ # OF BREAKS: 2
 LENGTH: 10'-0" QUANTITY: _____

PART #: ZC225
 PART NAME:
ZEE CLOSURE

CUSTOMER: _____
 JOB NAME: _____
 AEPS ORDER #: _____

DRAWN BY: _____
 DATE: _____
 ACCEPTED BY: _____
 DATE: _____





GAUGE: _____ STRETCH-OUT: 4 1/4"

COLOR: _____ # OF BREAKS: 2

LENGTH: 10'-0" QUANTITY: _____

PART #: ZC226

PART NAME:

ZEE CLOSURE

CUSTOMER: _____

JOB NAME: _____

AEPS ORDER #: _____

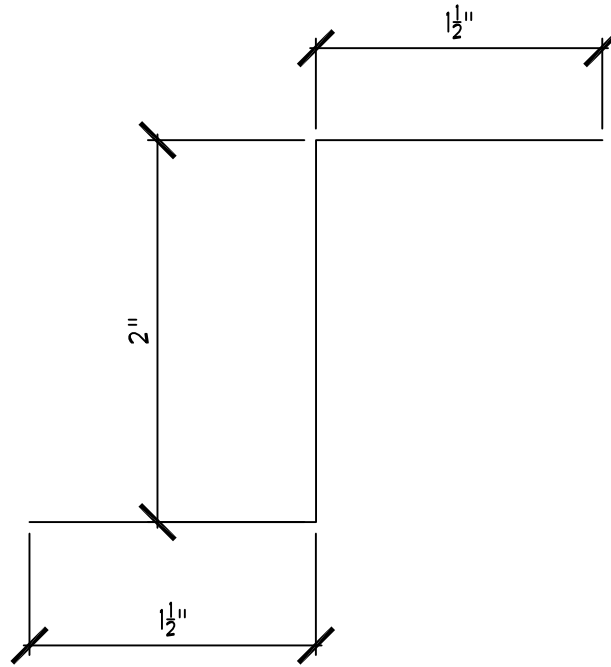
DRAWN BY: _____

DATE: _____

ACCEPTED BY: _____

DATE: _____





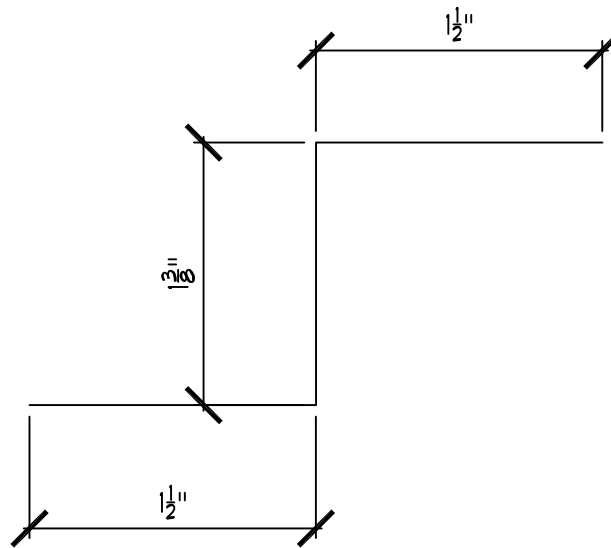
GAUGE: _____ STRETCH-OUT: 5"
 COLOR: _____ # OF BREAKS: 2
 LENGTH: 10'-0" QUANTITY: _____

PART #: ZC221
 PART NAME:
ZEE CLOSURE

CUSTOMER: _____
 JOB NAME: _____
 AEPS ORDER #: _____

DRAWN BY: _____
 DATE: _____
 ACCEPTED BY: _____
 DATE: _____





GAUGE: _____ STRETCH-OUT: 4 3/8"

COLOR: _____ # OF BREAKS: 2

LENGTH: 10'-0" QUANTITY: _____

PART #: ZC228

PART NAME: _____

ZEE CLOSURE

CUSTOMER: _____

JOB NAME: _____

AEPS ORDER #: _____

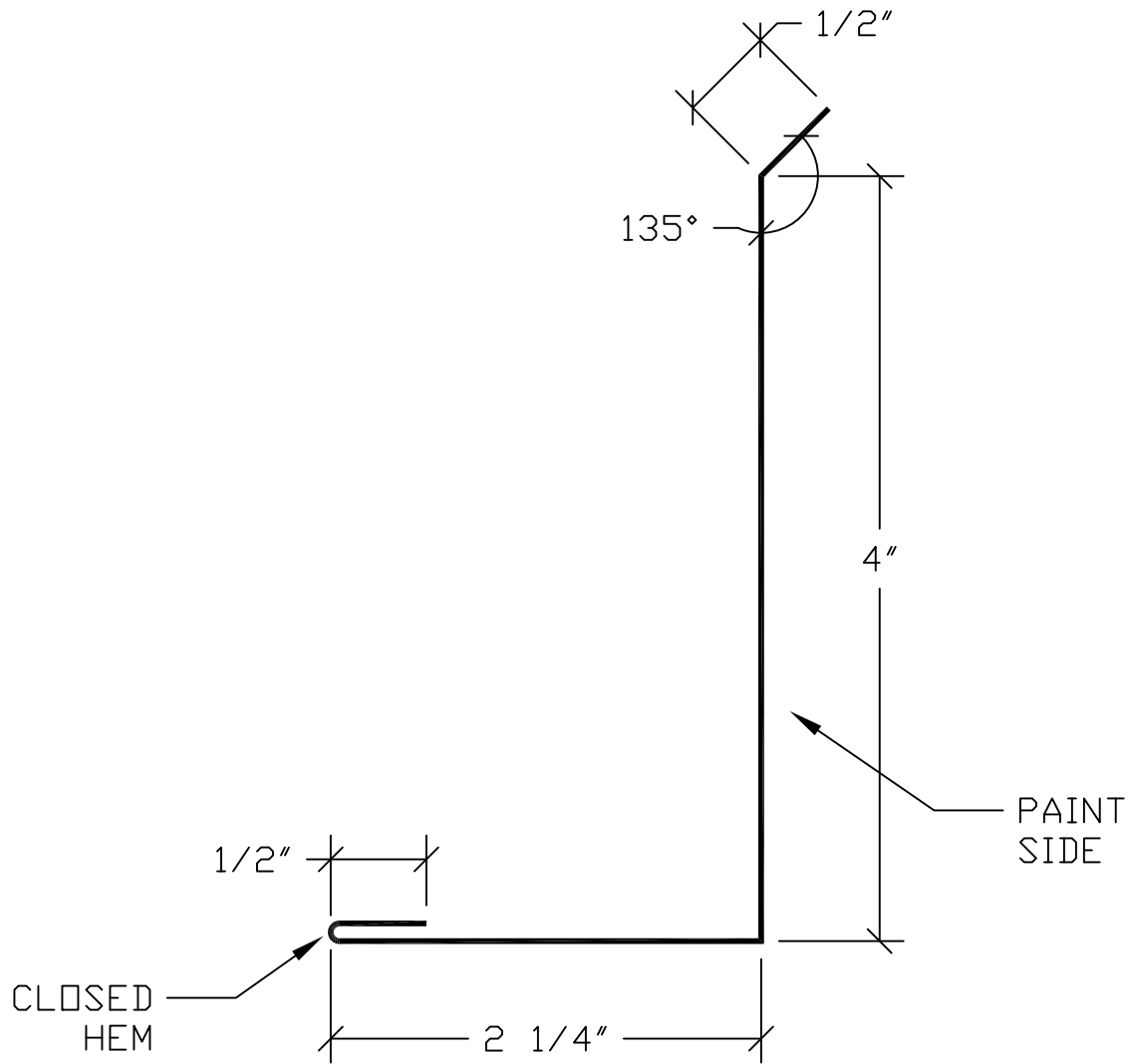
DRAWN BY: _____

DATE: _____

ACCEPTED BY: _____

DATE: _____





GAUGE: _____ STRETCH-OUT: 7-1/4"

COLOR: _____ # OF BREAKS: 4

LENGTH: _____ QUANTITY: _____

PART #: WC218

PART NAME:
WALL CLOSURE

CUSTOMER: _____

JOB NAME: _____

AEPS ORDER #: _____

DRAWN BY: BMG

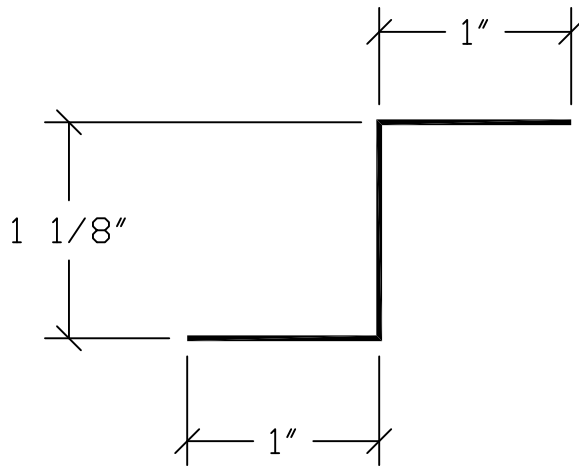
DATE: 7.3.24

ACCEPTED BY: _____

DATE: _____



ZC229



GAUGE: _____ STRETCH-OUT: 3-1/8"
COLOR: _____ # OF BREAKS: 2
LENGTH: _____ QUANTITY: _____

PART #: ZC229
PART NAME:
ZEE TRIM

CUSTOMER: _____
JOB NAME: _____
AEPS ORDER #: _____

DRAWN BY: BMG
DATE: 7.3.24
ACCEPTED BY: _____
DATE: _____

