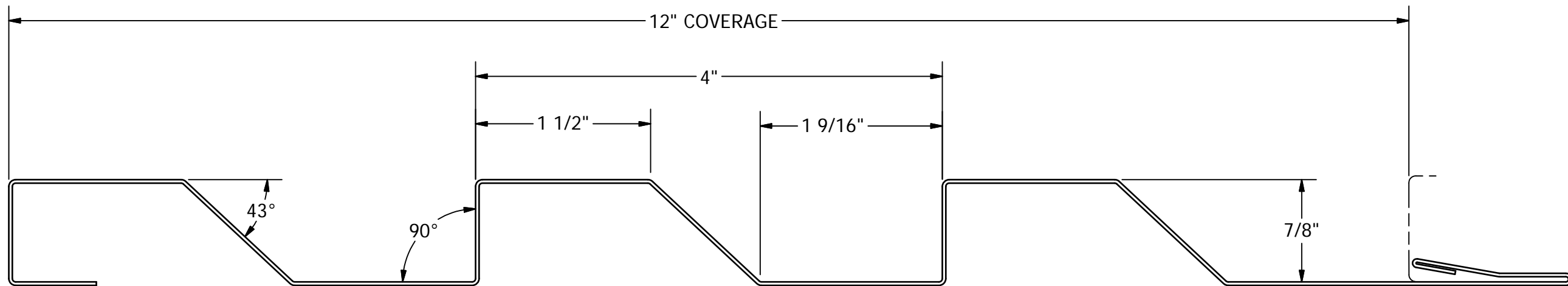
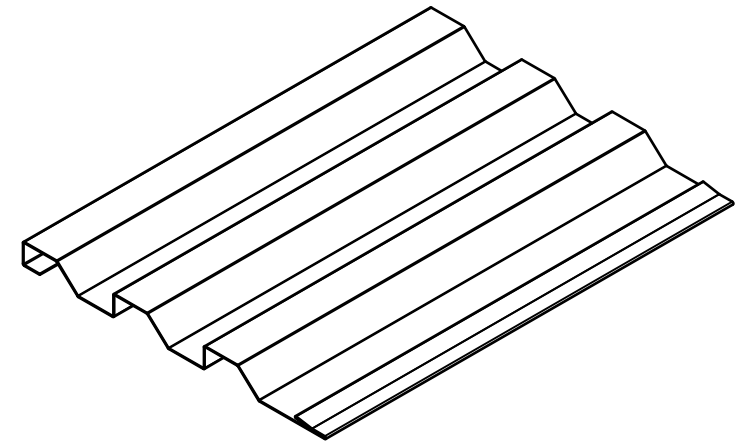

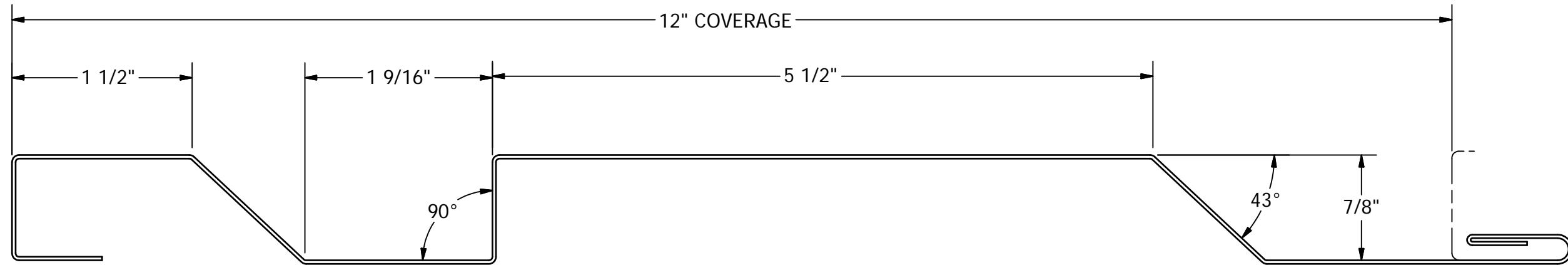
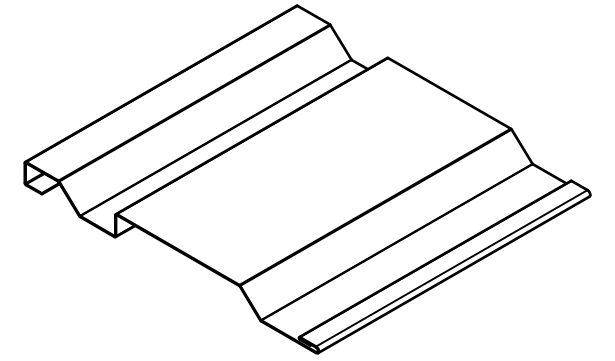
	SCALE	---		
	DRAWN			
2110 Enterprise Blvd. West Sacramento, CA 95691-3428 USA	DATE	5/19/2016		
	CHECKED			
TITLE / PART NAME PERCEPTION COLLECTION PC10-12c (CLIP ATTACHED)		PROJECT / PRODUCT LINE		
		SALES PRINT		
		PART I.D.	REVISION	SHEET
		PC10-12c	-	1 OF 1


Copyright: The design and print is the property of ASC Profiles and must not be used, reproduced or copied, wholly or in part, without written permission from the company. Supply of this design and print represents a confidential communication between the company and recipient.



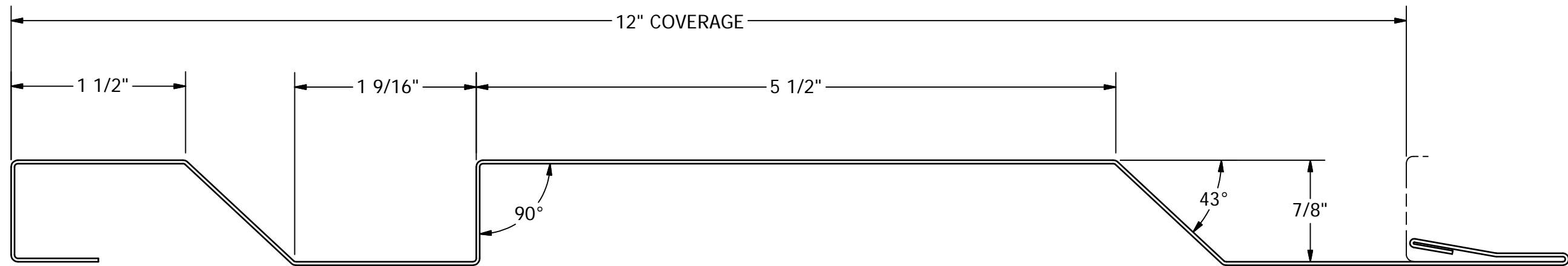
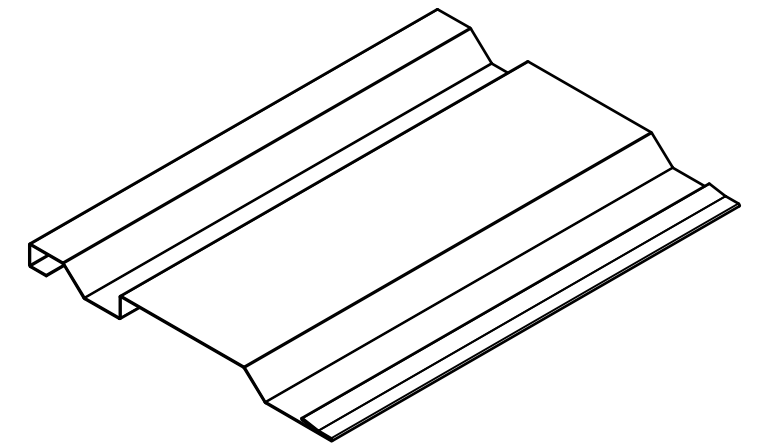
	SCALE	---		
	DRAWN			
2110 Enterprise Blvd. West Sacramento, CA 95691-3428 USA	DATE	5/19/2016		
	CHECKED			
		TITLE / PART NAME	PERCEPTION COLLECTION PC10-12 (DIRECT FASTENED)	
		PROJECT / PRODUCT LINE	SALES PRINT	
		PART I.D.	PC10-12	REVISION SHEET
			-	1 OF 1


Copyright: The design and print is the property of ASC Profiles and must not be used, reproduced or copied, wholly or in part, without written permission from the company. Supply of this design and print represents a confidential communication between the company and recipient.



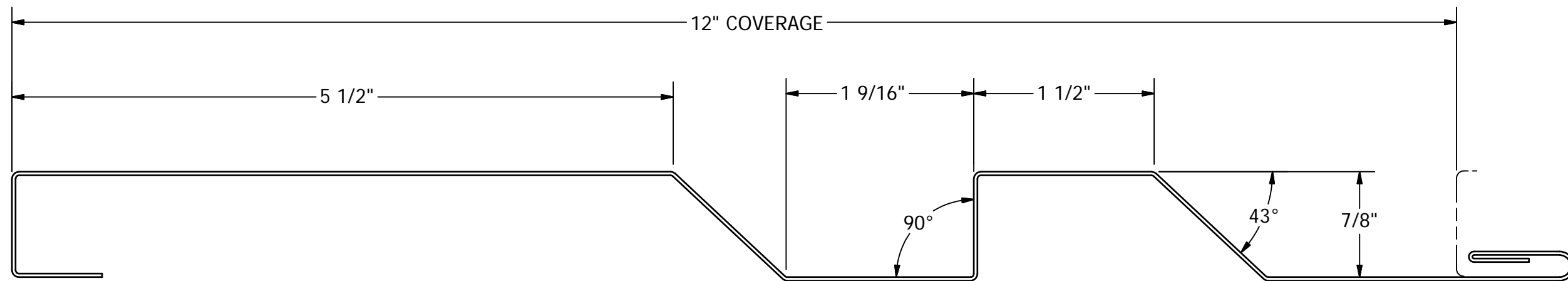
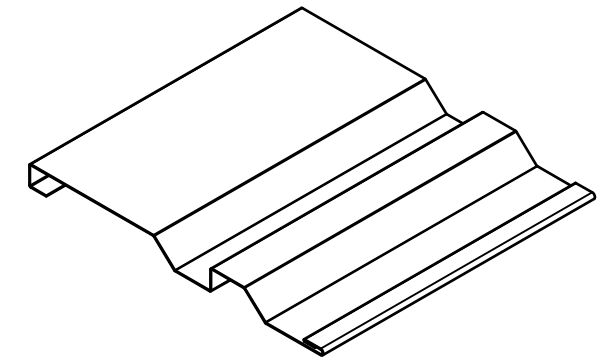
	SCALE	---			
	DRAWN				
2110 Enterprise Blvd. West Sacramento, CA 95691-3428 USA	DATE	5/19/2016			
	CHECKED				
		TITLE / PART NAME		PERCEPTION COLLECTION PC20-12c (CLIP ATTACHED)	
		PROJECT / PRODUCT LINE		SALES PRINT	
		PART I.D.	REVISION	SHEET	
		PC20-12c	-	1 OF 1	


Copyright: The design and print is the property of ASC Profiles and must not be used, reproduced or copied, wholly or in part, without written permission from the company. Supply of this design and print represents a confidential communication between the company and recipient.



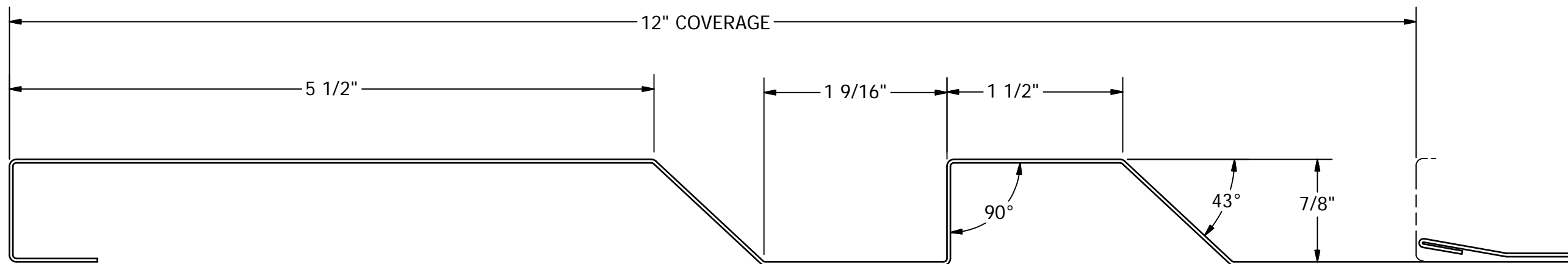
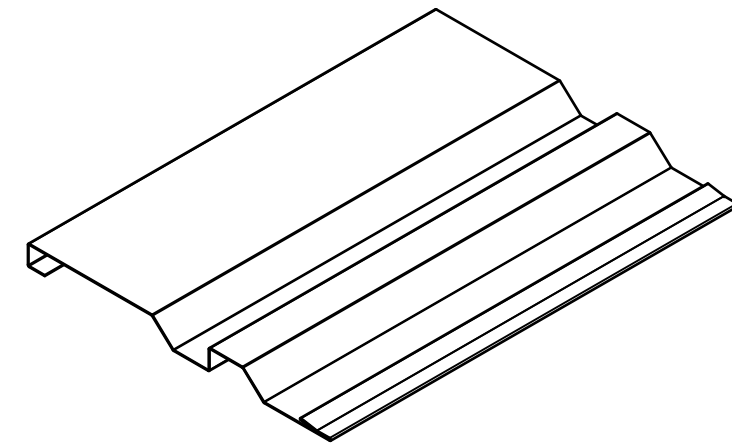
	SCALE	---		
	DRAWN			
2110 Enterprise Blvd. West Sacramento, CA 95691-3428 USA	DATE	5/19/2016		
	CHECKED			
TITLE / PART NAME PERCEPTION COLLECTION PC20-12d (DIRECT FASTENED)		PROJECT / PRODUCT LINE		
		SALES PRINT		
		PART I.D.	REVISION	SHEET
		PC20-12d	-	1 OF 1


Copyright: The design and print is the property of ASC Profiles and must not be used, reproduced or copied, wholly or in part, without written permission from the company. Supply of this design and print represents a confidential communication between the company and recipient.



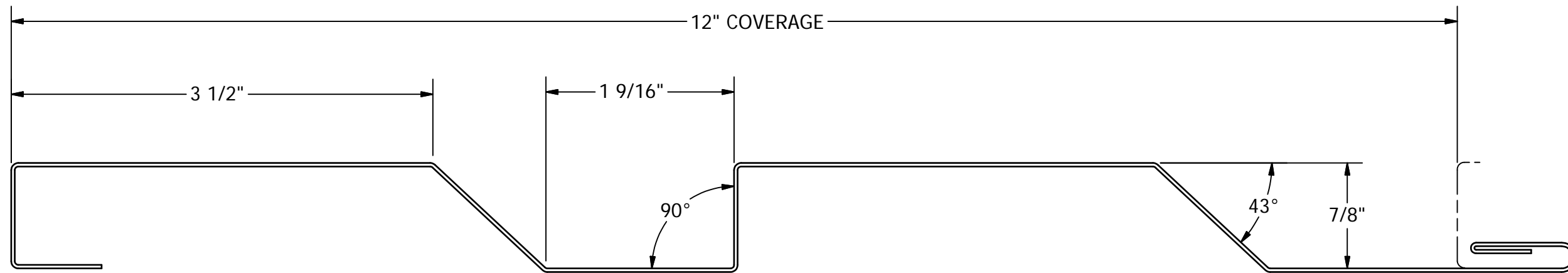
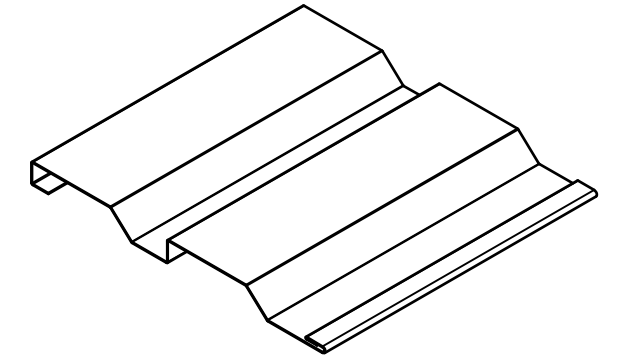
	SCALE	---		
	DRAWN			
2110 Enterprise Blvd. West Sacramento, CA 95691-3428 USA	DATE	5/19/2016		
	CHECKED			
		TITLE / PART NAME	PERCEPTION COLLECTION PC30-12c (CLIP ATTACHED)	
		PROJECT / PRODUCT LINE	SALES PRINT	
		PART I.D.	PC30-12c	REVISION SHEET
			-	1 OF 1


Copyright: The design and print is the property of ASC Profiles and must not be used, reproduced or copied, wholly or in part, without written permission from the company. Supply of this design and print represents a confidential communication between the company and recipient.



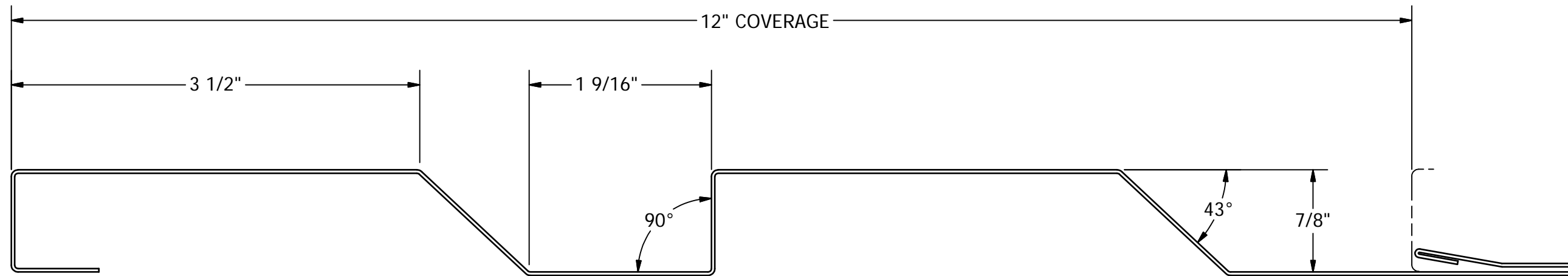
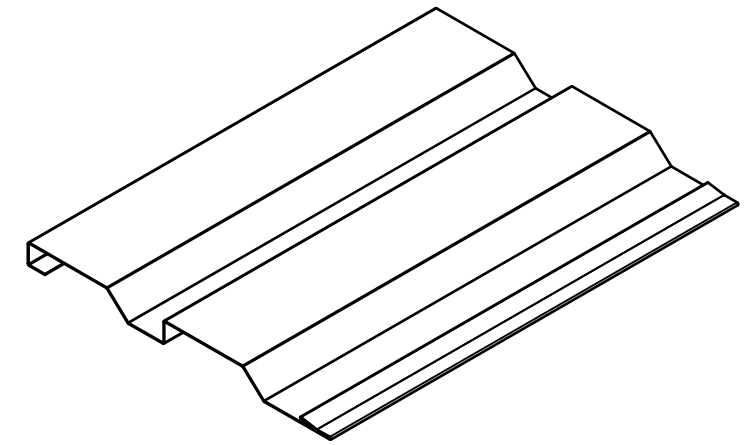
	SCALE	---		
	DRAWN			
2110 Enterprise Blvd. West Sacramento, CA 95691-3428 USA	DATE	5/19/2016		
	CHECKED			
TITLE / PART NAME		PERCEPTION COLLECTION PC30-12d (DIRECT FASTENED)		
PROJECT / PRODUCT LINE		SALES PRINT		
PART I.D.		PC30-12d	REVISION	SHEET
			-	1 OF 1


Copyright: The design and print is the property of ASC Profiles and must not be used, reproduced or copied, wholly or in part, without written permission from the company. Supply of this design and print represents a confidential communication between the company and recipient.



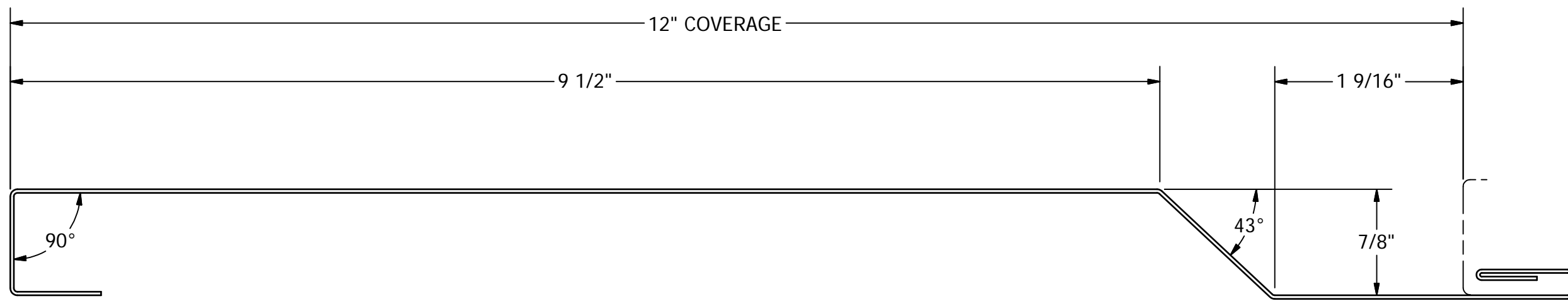
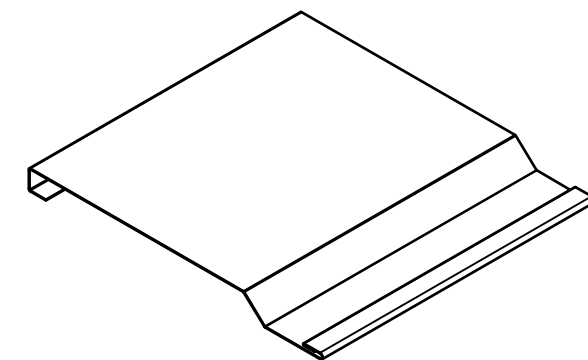
	SCALE	---		
	DRAWN			
	DATE	5/19/2016		
2110 Enterprise Blvd. West Sacramento, CA 95691-3428 USA	CHECKED			
	DATE			
TITLE / PART NAME		PERCEPTION COLLECTION PC40-12c (CLIP ATTACHED)		
PROJECT / PRODUCT LINE		SALES PRINT		
PART I.D.	REVISION	SHEET		
PC40-12c	-	1 OF 1		


Copyright: The design and print is the property of ASC Profiles and must not be used, reproduced or copied, wholly or in part, without written permission from the company. Supply of this design and print represents a confidential communication between the company and recipient.



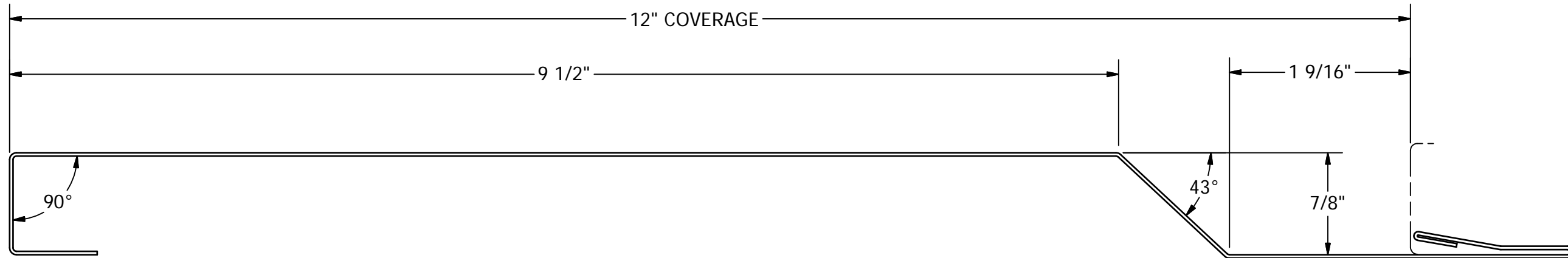
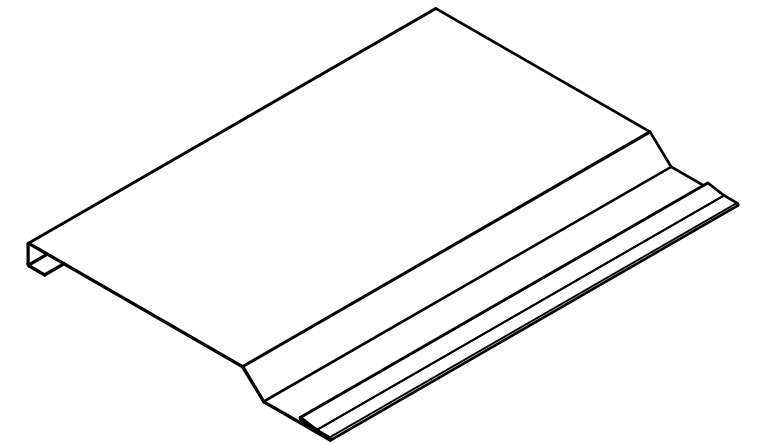
 ASC PROFILES	SCALE	---		
	DRAWN			
	DATE	5/19/2016		
2110 Enterprise Blvd. West Sacramento, CA 95691-3428 USA	CHECKED			
	DATE			
TITLE / PART NAME		PERCEPTION COLLECTION PC40-12d (DIRECT FASTENED)		
PROJECT / PRODUCT LINE		SALES PRINT		
PART I.D.	REVISION	SHEET		
PC40-12d	-	1 OF 1		


Copyright: The design and print is the property of ASC Profiles and must not be used, reproduced or copied, wholly or in part, without written permission from the company. Supply of this design and print represents a confidential communication between the company and recipient.



	SCALE	---		
	DRAWN			
2110 Enterprise Blvd. West Sacramento, CA 95691-3428 USA	DATE	5/19/2016		
	CHECKED			
TITLE / PART NAME		PERCEPTION COLLECTION PC50-12c (CLIP ATTACHED)		
PROJECT / PRODUCT LINE		PERCEPTION COLLECTION		
PART I.D.		PC50-12c	REVISION	SHEET
			-	1 OF 1

Copyright: The design and print is the property of ASC Profiles and must not be used, reproduced or copied, wholly or in part, without written permission from the company. Supply of this design and print represents a confidential communication between the company and recipient.



 ASC PROFILES	SCALE	---		
	DRAWN			
	DATE	5/19/2016		
2110 Enterprise Blvd. West Sacramento, CA 95691-3428 USA	CHECKED			
	DATE			
TITLE / PART NAME		PERCEPTION COLLECTION PC50-12d (DIRECT FASTENED)		
PROJECT / PRODUCT LINE		SALES PRINT		
PART I.D.	REVISION	SHEET		
PC50-12d	-	1 OF 1		

Copyright: The design and print is the property of ASC Profiles and must not be used, reproduced or copied, wholly or in part, without written permission from the company. Supply of this design and print represents a confidential communication between the company and recipient.